

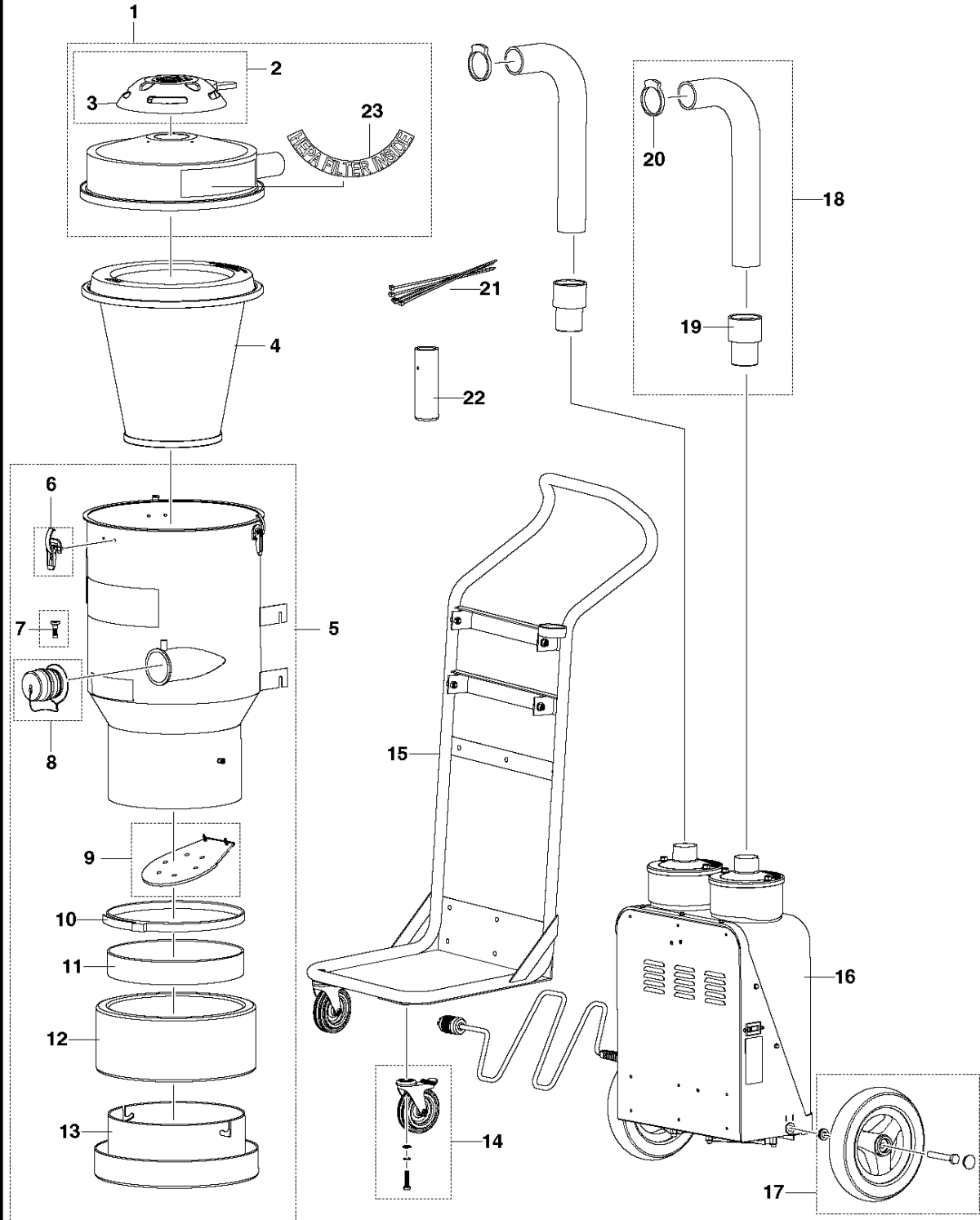


SPARE PARTS LIST

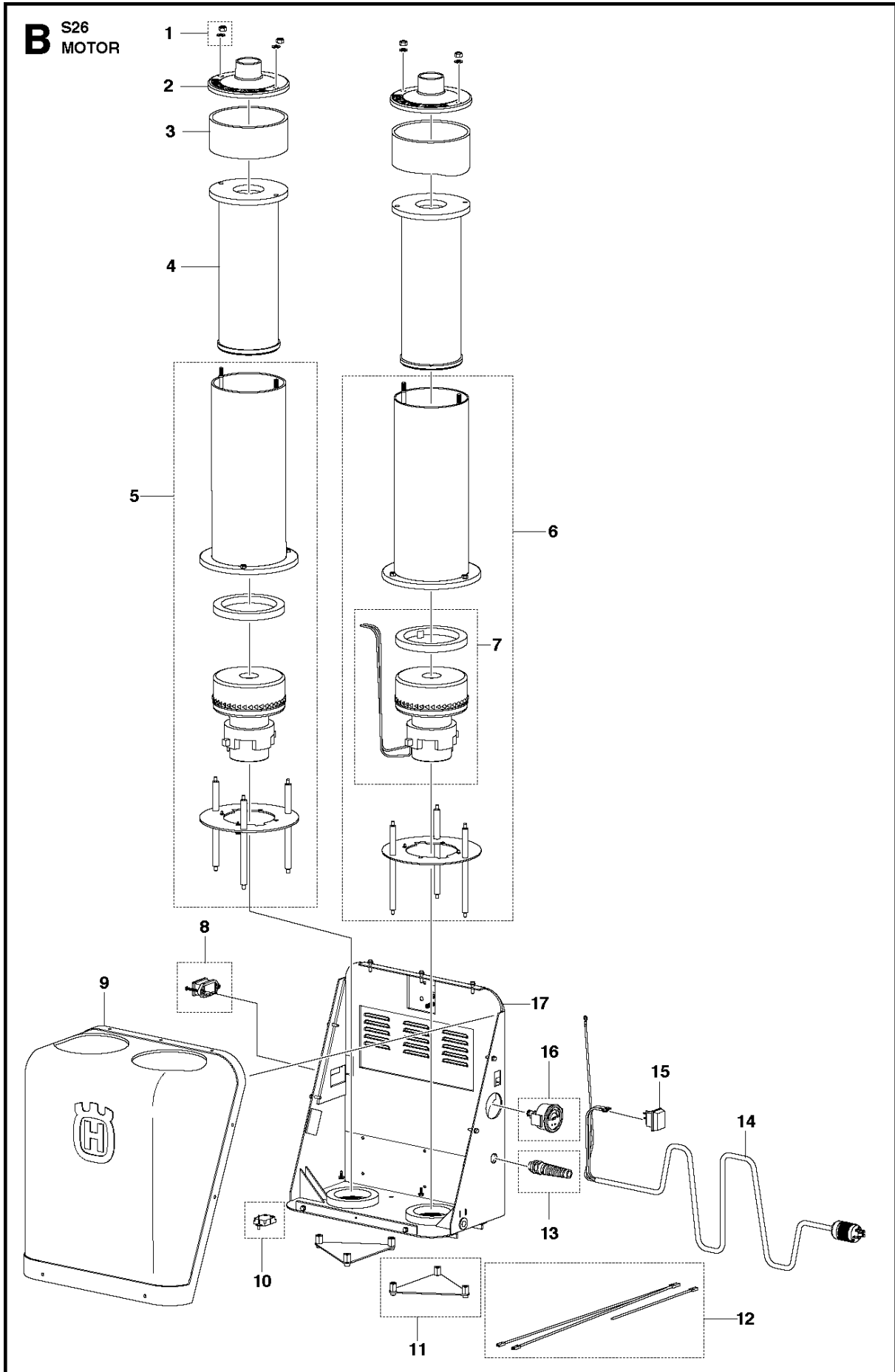
DUST AND SLURRY MANAGEMENT

S26, 2017-03

A S26
FRAME



Ref	Part No	Description	Remark	QTY	KIT
1	590 47 77-02	TANK CAP ASSY		1	
2	590 41 50-01	VALVE		1	
3	590 39 96-01	COVER KIT		1	
4	590 43 02-01	FILTER		1	
5	590 47 74-02	TANK		1	
6	590 39 64-01	HOLDER KIT		3	5
7	590 40 16-01	LOCKING PIN		1	5
8	590 42 67-01	LID		1	5
9	590 39 86-01	FLAP		1	5
10	590 40 18-01	STRAP		1	5
11	590 40 23-01	SEAL		1	5
12	590 42 92-01	BAG	4-pack	1	5
13	590 42 69-01	HOLDER		1	5
14	590 39 72-01	WHEEL KIT		1	
15	590 42 68-01	FRAME		1	
16	590 47 75-02	MOTOR HOUSING	MOTOR HOUSING, WITH MOTOR 230V, S26	1	
16	590 47 80-02	MOTOR HOUSING	MOTOR HOUSING, WITH MOTOR 120V, S26	1	
16	590 47 81-02	MOTOR HOUSING	MOTOR HOUSING, WITH MOTOR 230V (US), S26	1	
17	590 39 70-01	REAR WHEEL		1	
18	590 42 66-01	HOSE KIT		2	
19	590 43 81-01	HOSE		2	18
20	590 40 08-01	HOSE CLAMP		2	18
21	590 42 60-01	CLIP		1	
22	590 42 64-01	HOLDER		1	
23	591 97 60-01	DECAL		1	1



MOTOR

S26, 2017-03

Ref	Part No	Description	Remark	QTY	KIT
1	590 40 07-01	NUT		4	
2	590 39 89-01	FILTER COVER		2	
3	590 40 04-01	SEALING COLLAR		2	
4	590 42 98-01	FILTER		2	
5	590 42 71-01	MOTOR	120V, TUBE KIT WITHOUT NIPPLE	1	
5	590 42 70-01	MOTOR	230V, TUBE KIT WITHOUT NIPPLE	1	
6	590 41 57-01	MOTOR	120V, TUBE KIT WITH NIPPLE	1	
6	590 41 55-01	MOTOR	230V, TUBE KIT WITH NIPPLE	1	
7	590 39 73-01	MOTOR KIT	120V	2	6
7	590 39 69-01	MOTOR KIT	230V	2	
8	590 41 53-01	HOUR METER		1	
9	590 47 73-02	MOTOR COVER		1	
10	590 42 63-01	ELECTRIC BOX	120V	1	
10	590 42 62-01	ELECTRIC BOX	230V	1	
11	590 47 68-01	COVER LID		2	
12	590 42 75-01	CABLE KIT	120V	1	
12	590 47 78-01	CABLE KIT	230V	1	
13	590 40 25-01	CABLE GROMMET	120V	1	
13	590 39 95-01	CABLE GROMMET	230V	1	
14	590 42 73-01	CORD	120V	1	
14	590 40 10-01	CORD	230V	1	
15	590 40 26-01	SWITCH		1	
16	590 39 67-01	MANOMETER		1	
17	590 47 82-01	CHASSIS		1	