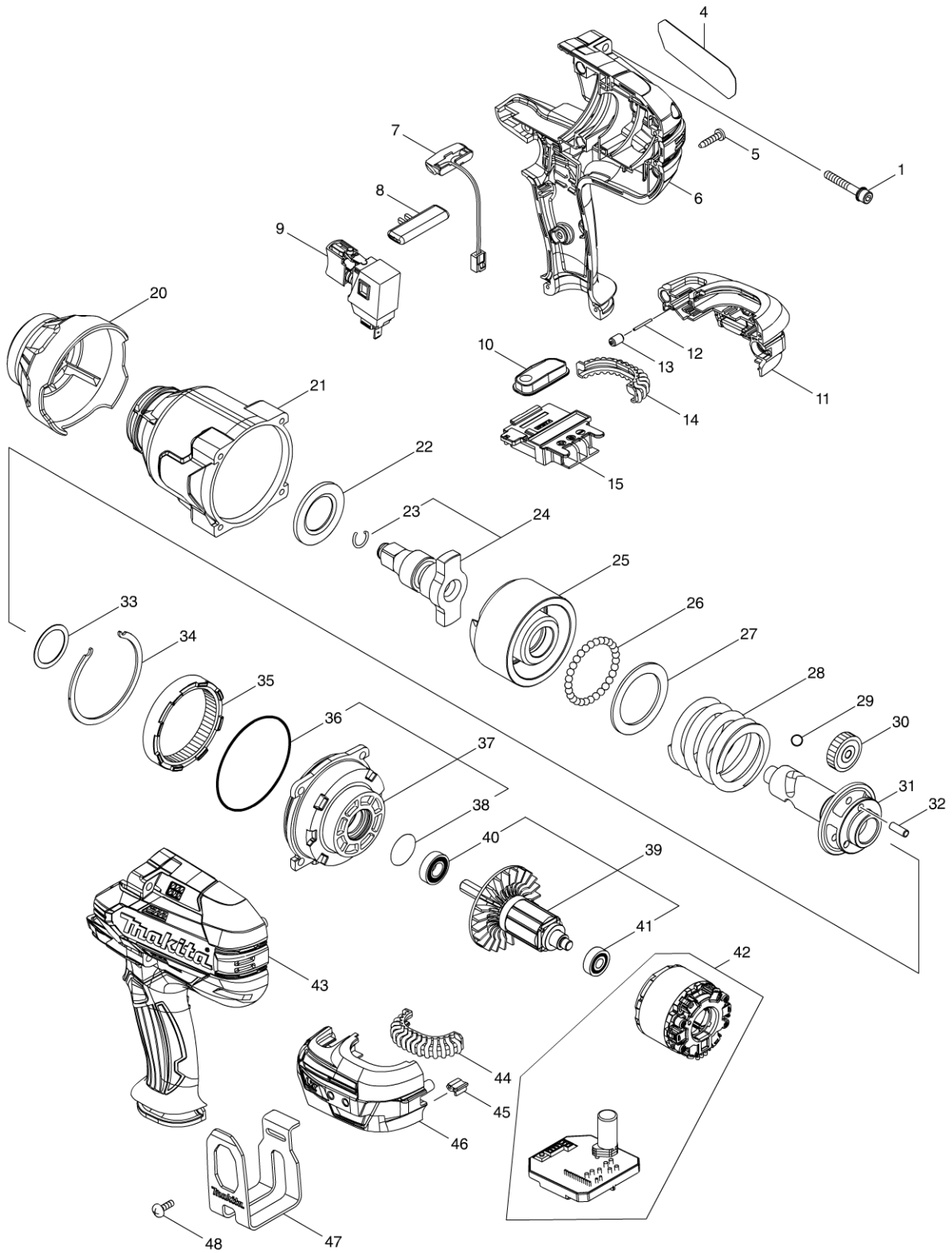


# Modelnummer DTW1002 CORDLESS IMPACT WRENCH



# Modelnummer DTW1002 CORDLESS IMPACT WRENCH

Artikel	Reserveidelsn	Beskrivelse	I/C	Qty	N/O	Opt. 1	Opt. 2	Note
001	251476-6	H.S.H.BOLT M5X35 WITH WR		4				
004	851K57-8	DTW1002 NAME PLATE		1				
005	266326-2	TAPPING SCREW 4X18		9				
006	183C08-8	HOUSING SET		1				
D10		INC. 43						
007	620351-1	LED CIRCUIT		1				
008	456268-0	F/R CHANGE LEVER		1				
009	143416-7	SWITCH COMPLETE		1				
010	143417-5	SWITCH PLATE COMPLETE		1				
011	183C12-7	BATTERY HOUSING SET		1				
C10	263005-3	RUBBER PIN 6		2				
D10		INC. 46						
012	268284-8	PIN 1.5		1				
013	263036-2	RUBBER PIN 5		1				
014	424773-5	CUSHION RUBBER		1				
015	643899-6	TERMINAL		1				
020	424775-1	BUMPER		1				
021	143411-7	HAMMER CASE COMPLETE		1				
022	346948-5	WASHER 25		1				
023	231907-1	RING SPRING 10		1				
024	135717-7	ANVIL W ASS'Y		1				
D10		INC. 23						
025	326613-2	HAMMER		1				
026	216002-8	STEEL BALL 4.8		29				
027	267493-6	FLAT WASHER 38		1				
028	234383-8	COMPRESSION SPRING 38		1				
029	216009-4	STEEL BALL 7.1		2				
030	227391-6	SPUR GEAR 24		3				
031	326611-6	SPINDLE		1				
032	268079-9	PIN 5		3				
033	267494-4	FLAT WASHER 25		1				
034	346947-7	RETAINER		1				
035	227392-4	INTERNAL SPUR GEAR 54		1				
036	213720-9	O RING 67		1				
037	135718-5	INTERNAL GEAR CASE ASS'Y		1				
D10		INC. 36,38						
038	213961-7	O RING 22		1				
039	519384-0	ROTOR ASS'Y		1				
D10		INC. 40,41						
040	210069-8	BALL BEARING 6900DDW		1				
041	211022-7	BALL BEARING 607ZZ		1				
042	629170-2	STATOR COMPLETE		1				
043	183C08-8	HOUSING SET		1				
D10		INC. 6						
044	424773-5	CUSHION RUBBER		1				
045	424517-3	CUSHION		1				
046	183C12-7	BATTERY HOUSING SET		1				
C10	263005-3	RUBBER PIN 6		2				

