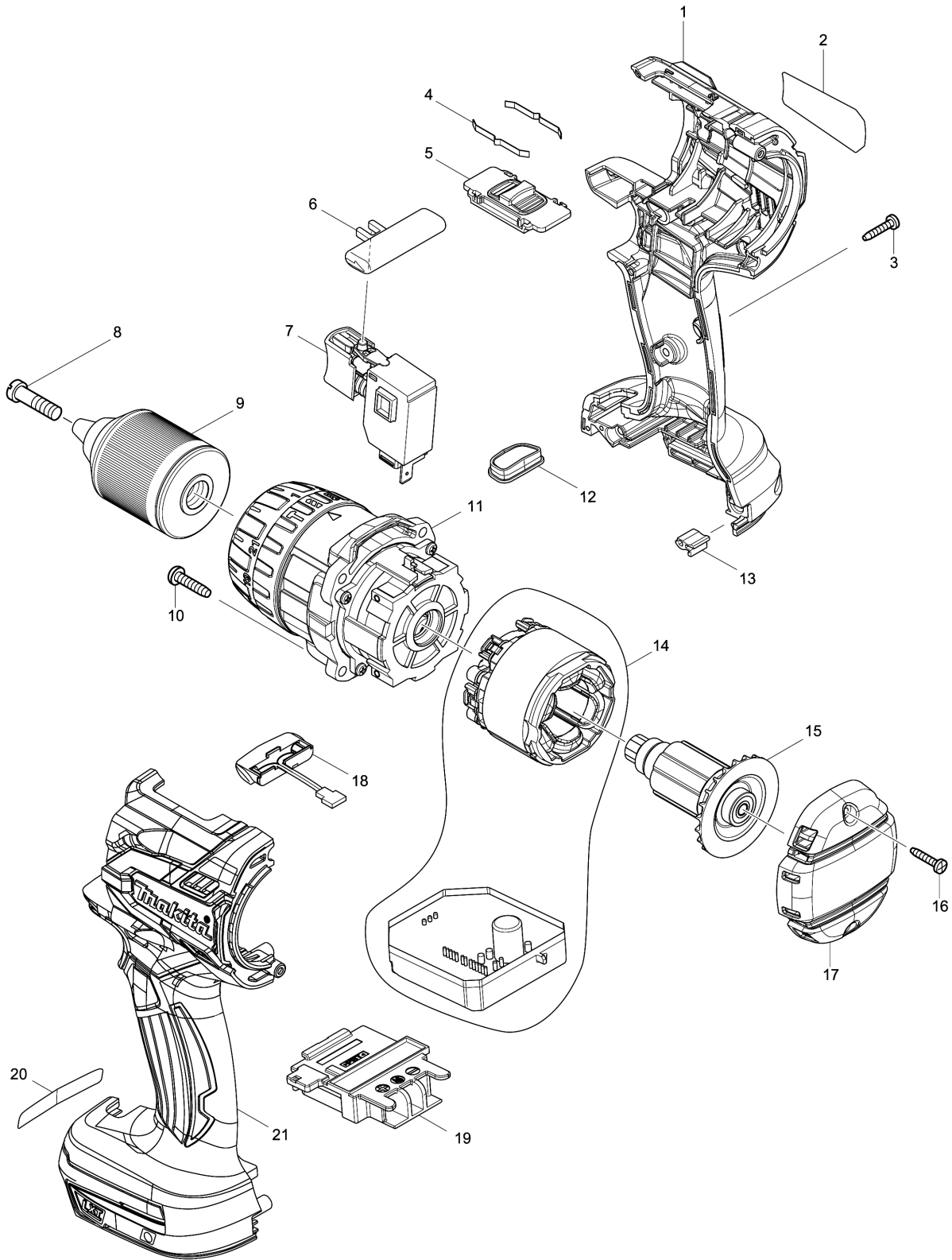


Model No.DHP481 CORDLESS HAMMER DRIVER DRILL



Model No.DHP481 CORDLESS HAMMER DRIVER DRILL

Item	Parts No.	Description	I/C	Qty	New/Old	Opt. 1	Opt. 2	Note
001	187921-4	HOUSING SET		1				
C10	263005-3	RUBBER PIN 6		2				
D10		INC. 21						
002	815S71-6	DHP481 NAME PLATE		1	*			
002-1	857L10-8	DHP481 NAME PLATE	S	1				
003	266130-9	TAPPING SCREW BIND PT 3X16		7				
004	232220-0	LEAF SPRING		2				
005	126411-2	SPEED CHANGE LEVER ASSEMBLY		1				
C10	233438-6	COMPRESSION SPRING 4		2				
006	419250-0	F/R CHANGE LEVER		1				
007	650710-5	SWITCH C3JW-4B		1				
008	251468-5	- FLAT HEAD SCREW M6X22		1				
009	766015-4	KEYLESS DRILL CHUCK 13		1	*			
009-1	763248-2	KEYLESS DRILL CHUCK 13	<	1				
010	265995-6	TAPPING SCREW 4X18		4				
011	126410-4	GEAR ASSEMBLY		1				
012	142263-3	INDICATOR PANEL COMPLETE		1				
013	424517-3	CUSHION		1				
014	629116-8	STATOR COMPLETE		1				
015	619336-2	ROTOR		1	*			
015-1	619397-2	ROTOR	O	1				
016	266130-9	TAPPING SCREW BIND PT 3X16		2				
017	455011-4	REAR COVER		1				
018	620283-2	LED CIRCUIT		1				
019	643899-6	TERMINAL		1				
021	187921-4	HOUSING SET		1				
C10	263005-3	RUBBER PIN 6		2				
D10		INC. 1						
022	857L11-6	DHP481 SERIAL NO. LABEL	S	1				
A01	122576-8	STOPPER POLE ASS'Y		1				
A02	126413-8	GRIP ASSEMBLY		1				
C10	142652-2	POLE COMPLETE		1	*			
C11	140R59-4	POLE COMPLETE	<	1				
C20	142653-0	ARM R COMPLETE		1				
C30	265785-7	THUMB SCREW M5X10		1				
C40	266886-4	HEX. BOLT M8X65		1				
C50	319129-4	ARM L		1				
C60	931202-6	HEX. NUT M5		1				
C70	962055-2	RETAINING RING (INT) R-15		1				
A03	251314-2	+ SCREW M4X12		2				
A04	346317-0	HOOK		1				

Please order the parts with part number.

Print Date 26/3/2020

Model No.DHP481 CORDLESS HAMMER DRIVER DRILL

Item	Parts No.	Description	I/C	Qty	New/Old	Opt. 1	Opt. 2	Note
A05	452947-8	BIT HOLDER		1				
A06	784637-8	+-- BIT 2-45		2				
A07B	821550-0	CONNECTOR PLASTIC CASE (TYPE2)		1				
C10	453974-8	LATCH		4				
A07C	821550-0	CONNECTOR PLASTIC CASE (TYPE2)		1				
C10	453974-8	LATCH		4				
A08B	837916-4	INNER TRAY		1				
A08C	837916-4	INNER TRAY		1				
A09B	804D77-9	DHP481RMJ INDICATION LABEL		1	*			
A09C	804D81-8	DHP481RTJ INDICATION LABEL		1	*			
A09-1B	812X16-5	DHP481RMJ INDICATION LABEL	O	1	*			
A09-1C	812X23-8	DHP481RTJ INDICATION LABEL	O	1	*			
A09-2B	804D77-9	DHP481RMJ INDICATION LABEL	O	1				
A09-2C	804D81-8	DHP481RTJ INDICATION LABEL	O	1				
A10B	804D78-7	DHP481RMJ PLASTIC CASE LABEL		2	*			
A10C	804D82-6	DHP481RTJ PLASTIC CASE LABEL		2	*			
A10-1B	812X17-3	DHP481RMJ PLASTIC CASE LABEL	X	2				
A10-1C	812X24-6	DHP481RTJ PLASTIC CASE LABEL	X	2				
A11B	450128-8	BATTERY COVER		1				
A11C	450128-8	BATTERY COVER		1				
A12B	196399-0	BATTERY BL1840 SET		2	*			
A12C	196671-0	BATTERY BL1850 SET		2	*			
A12-1B	196399-0	BATTERY BL1840 SET	O	2	*			
A12-1C	196671-0	BATTERY BL1850 SET	O	2	*			
A12-2B	197265-4	BATTERY BL1840B SET	<	2	*			
A12-2C	197280-8	BATTERY BL1850B SET	<	2	*			
A12-3B	197265-4	BATTERY BL1840B SET	O	2				
A12-3C	197280-8	BATTERY BL1850B SET	O	2				
A13B	***DC18RC	DC18RC FAST CHARGER		1				
A13C	***DC18RC	DC18RC FAST CHARGER		1				

Please order the parts with part number.

Print Date 26/3/2020