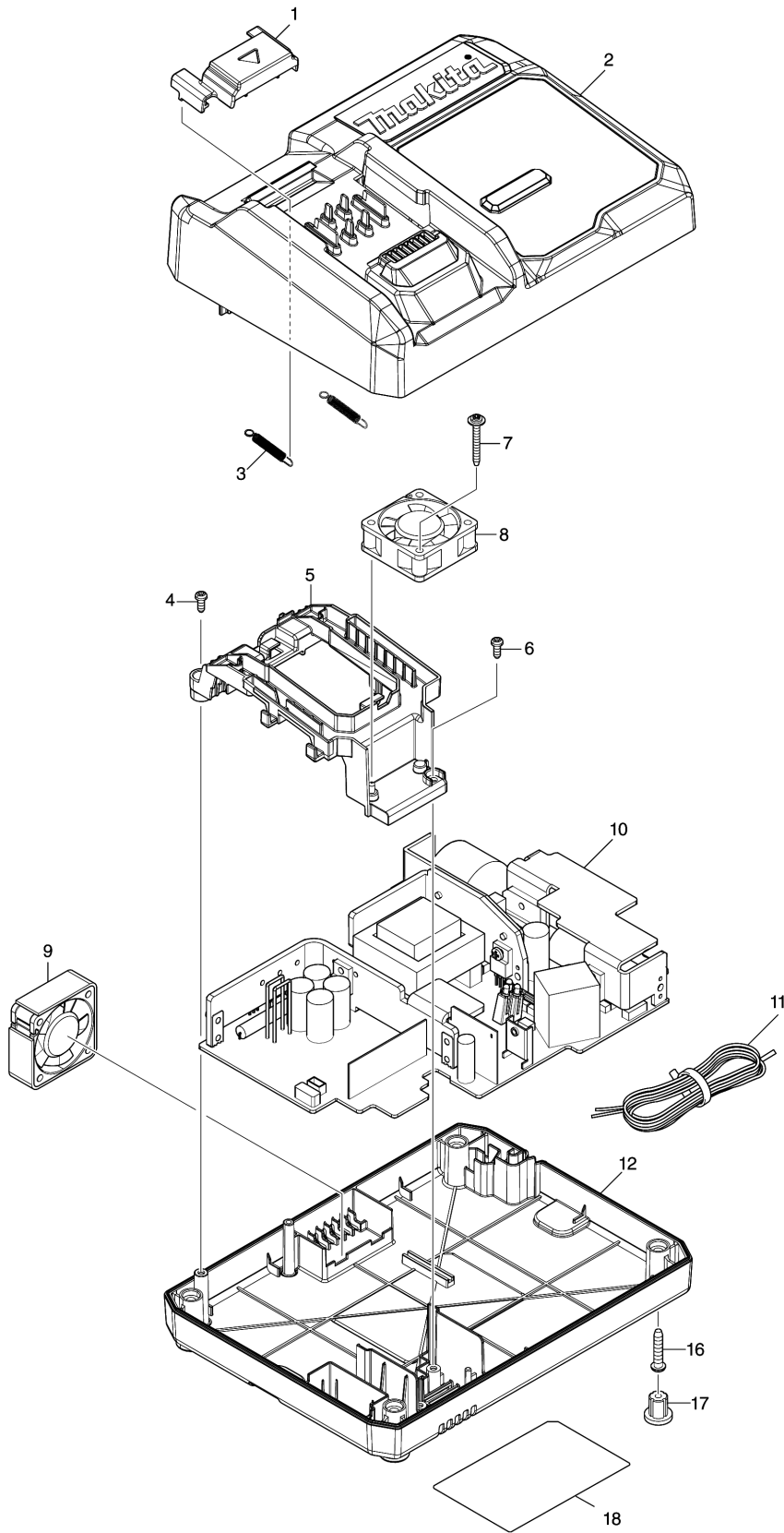


Model No.DC40RA FAST CHARGER



Model No.DC40RA FAST CHARGER

Item	Parts No.	Description	I/C	Qty	New/Old	Opt. 1	Opt. 2	Note
001	459475-4	TERMINAL COVER		1				
002	140N46-9	CHARGER CASE COMPLETE		1				
C10	459476-2	LENS		1				
C20	819V01-7	CHARGING CONDITION LABEL		1				
003	232565-6	TENSION SPRING 4		2				
004	265B02-7	TAPPING SCREW 3X8		1				
005	459474-6	TERMINAL BASE		1				
006	265B02-7	TAPPING SCREW 3X8		1				
007	265A61-5	TAPPING SCREW FLANGE 3X25		1				
008	632P24-0	FAN 40		1				
009	632P25-8	FAN 40		1				
010	620B42-6	CHARGING CIRCUIT		1				
C10	647306-1	VARISTOR		1				
C20	652071-9	FUSE		1				
011	667231-0	POWER SUPPLY CORD		1				
012	459846-5	CHARGER CASE COVER		1				
016	265B01-9	TAPPING SCREW PT 4X20		4				
017	286255-3	CAP 13		4				
018	857F48-7	DC40RA NAME PLATE		1				

Please order the parts with part number.

Print Date 12/3/2020