

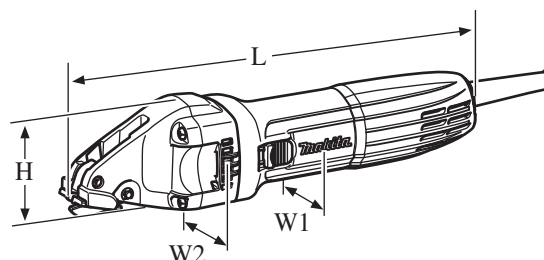
# TECHNICAL INFORMATION



PRODUCT

P 1 / 3

- Model No.** ▶ JS1601  
JS1000
- Description** ▶ Straight Metal Shear 1.6mm (16Ga)  
Metal Shear 1.0mm (20Ga)



## CONCEPT AND MAIN APPLICATIONS

Models JS1601 and JS1000 are aesthetic change models of the current JS1660 and JS1670.

Feature the same easy-to-grip, slim housing as used for GA4030 series angle grinders, providing more comfort and control and better maneuverability.

Model JS1601 is designed mainly for straight cutting, and JS1000 for curve cutting.

The different parts between JS1601 and JS1000 are Center blade and Side blades.

Dimensions: mm (")		
Model No.	JS1601	JS1000
Length (L)	320 (12-5/8)	322 (12-5/8)
Width 1 (W1)*1	56 (2-3/16)	
Width 2 (W2)*2	70 (2-3/4)	
Height (H)	78 (3-1/16)	

\*1 diameter at barrel

\*2 width at tool head, including the protruding portion of the vents

## ► Specification

Voltage (V)	Current (A)	Cycle (Hz)	Continuous Rating (W)		Max. Output (W)
			Input	Output	
110	3.6	50/60	380	160	280
120	3.3	50/60	---	160	280
220	1.8	50/60	380	160	280
230	1.7	50/60	380	160	280
240	1.7	50/60	380	160	280

Specification		Model	JS1601	JS1000
No load speed: min-1= spm (strokes per minute)			4,500	
Max cutting capacities: mm (Ga)	Steel with tensile strength up to 400N/mm <sup>2</sup>		1.6 (16)	1.0 (20)
	Steel with tensile strength up to 600N/mm <sup>2</sup>		1.2 (18)	0.7 (23)
	Steel with tensile strength up to 800N/mm <sup>2</sup>		0.8 (21)	0.5 (26)
	Aluminum with tensile strength up to 200N/mm <sup>2</sup>		2.5 (12)	2.5 (12)
Minimum cutting radius: mm (")			250 (9-7/8)	30 (1-3/16)
Power supply cord: m (ft)			Europe: 4.0 (13.1)    Australia, Brazil: 2.0 (6.6) Other countries: 2.5 (8.2)	
Net weight*: kg (lbs)			1.4 (3.1)	

\* Weight according to EPTA-Procedure 01/2003, with Hex wrench

## ► Standard equipment

- Hex wrench 3 ..... 1
- Thickness gauge (= Feeler gauge) ..... 1 (for **JS1601**)

**Note:** The standard equipment for the tool shown above may vary by country.

## ► Optional accessories

- Center blade
- Side blade (L)
- Side blade (R)

## ► Features and benefits

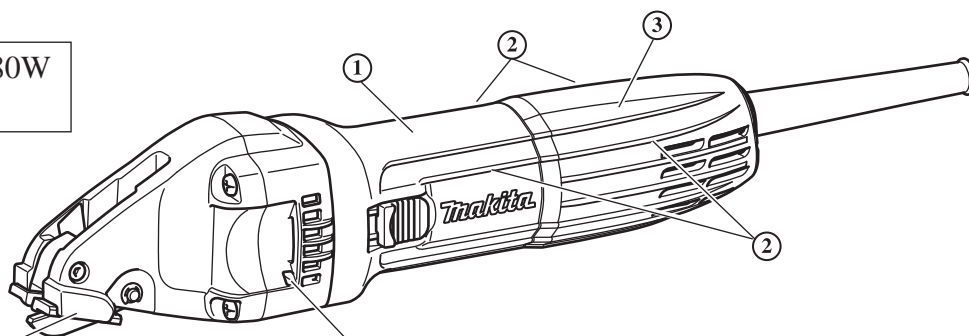
### Ingenious aesthetic design provides more control and high maneuverability

Easy and comfortable handling is obtained by using the slim housing of GA4030 series angle grinders.

### Ergonomically best possible barrel grip for straight shear achieved by the ingenious design of motor housing and rear cover that feature:

- ① Motor housing with a small circumference of 180mm obtained by using non-protruding brush holders and designed as close to a perfect circle as possible
- ② Motor housing and rear cover ergonomically and uniquely ribbed for sure and comfortable finger hold
- ③ Rear cover ergonomically tapered for easy grip

Powerful motor with 380W continuous rating input



### Side blades fixed more stably

The 2 holes to fix side blades are strengthened for extended tool life. (same advantage as BJS160/ BJS161)

### On-tool storage for hex wrench

Hex wrench can be stored on either side for operator's convenience.

## ► Comparison of products

### Specification Comparison

Specification	Model	Makita		Fein	
		JS1601/ JS1000	JS1660/ JS1670	BSS1.6	BSS1.6C
Continuous rating input: W		380	260	350	
No load speed: min-1= spm (strokes per minute)		4,500	4,500	3,800	
Max cutting capacities: mm (Ga)	Steel with tensile strength up to 400N/mm <sup>2</sup>	1.6 (16)/ 1.0 (20)	1.6 (16)/ 1.0 (20)	1.6 (16) [1.0 (20)]*4	
	Steel with tensile strength up to 600N/mm <sup>2</sup>	1.2 (18)/ 0.7 (23)	1.2 (18)/ 0.7 (23)	1.2 (18) [0.8 (21)]*4	
	Steel with tensile strength up to 800N/mm <sup>2</sup>	0.8 (21)/ 0.5 (26)	0.8 (21)/ 0.5 (26)	0.8 (21) [0.5 (26)]*4	
	Aluminum with tensile strength up to 200N/mm <sup>2</sup>	2.5 (12)	2.5 (12)	----	
	Aluminum with tensile strength up to 250N/mm <sup>2</sup>	----	----	2.0 (14)	
Minimum cutting radius: mm (")		250 (9-7/8)/ 30 (1-3/16)	250 (9-7/8)/ 30 (1-3/16)	90 (3-1/2) [30 (1-3/16)]*4	
Chip clipper		No	No	No	Yes
Circumference at the grip portion: mm (")		dia. 56 (2-3/16)*1	70x62 (2-3/4x2-7/16)	62x62 (2-7/16x2-7/16)	
Power supply cord: m (ft)		4.0 (13.1)*2	2.5 (8.2)	5.0 (16.4)	
Dimensions: mm (")	Length	320(12-5/8)/ 322(12-5/8)	304(12)/ 306(12)	280 (11)	
	Width	70 (2-3/4)	70 (2-3/4)	62 (2-7/16)	
	Height	78 (3-1/16)	80 (3-1/8)	62 (2-7/16)	73 (2-7/8)
Net weight*3: kg (lbs)		1.4 (3.1)	1.4 (3.1)	1.4 (3.1)	

\*1 Precisely 56mm diameter plus 1.0mm high finger hold protrusions.

\*2 Power supply cord: 4.0m (13.1ft) for Europe, 2.0m (6.6ft) for Australia and Brazil, 2.5m (8.2ft) for other countries

\*3 Weight according to EPTA-Procedure 01/2003, with Hex wrench

\*4 The capacity when cutting with a curve cutting blade

## ► Comparison of products

### Performance Comparison

- Note:** 1) Numbers in the charts below are relative values when the capacities of JS1660 and JS1670 are indexed at 100.  
 2) The test results depend to a great extent on the hardness of the material, etc.  
 3) A cable reel of 1.5mm<sup>2</sup> x 50m was used as extension power supply cord.

