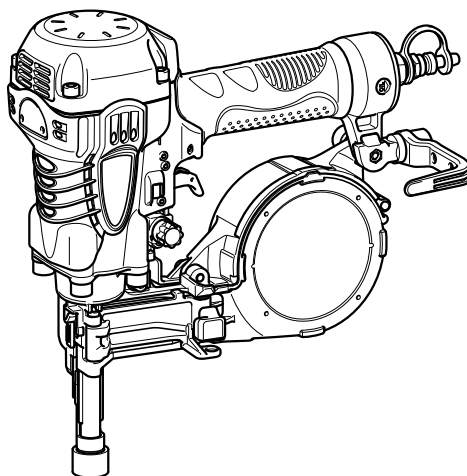
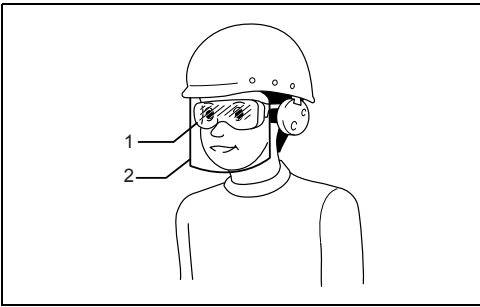




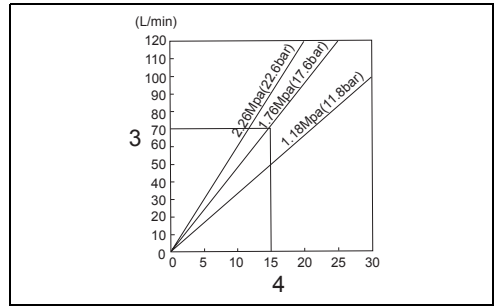
GB	Pneumatic Concrete Nailer	Instruction manual
F	Cloueur pneumatique à béton	Manuel d'instructions
D	Hochdruck-Betonnagler	Betriebsanleitung
I	Chiodatrice pneumatica per cemento	Istruzioni per l'uso
NL	Pneumatisch betonnagelpistool	Gebruiksaanwijzing
E	Clavadora neumática para concreto	Manual de instrucciones
P	Pregador pneumático para concreto	Manual de instruções
DK	Trykluftdrevet betonsømpistol	Brugsanvisning
GR	Πνευματικό Καρφωτικό Εργαλείο Τσιμέντου	Οδηγίες χρήσης

AN250HC

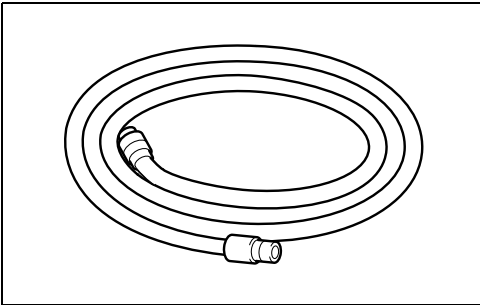




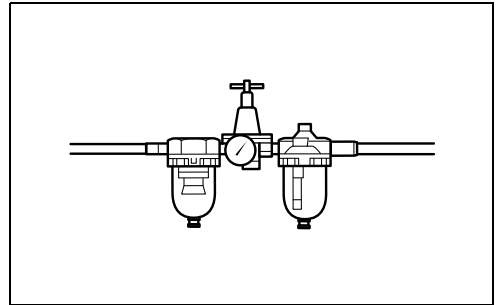
1



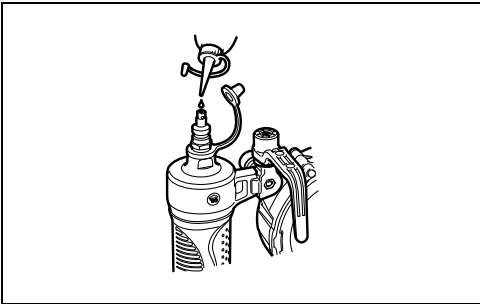
2



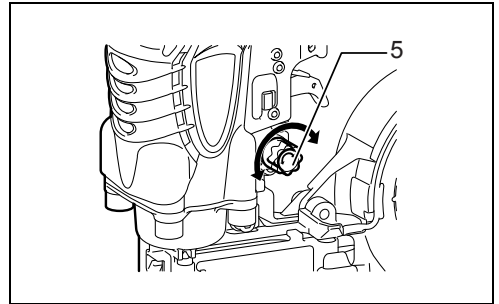
3



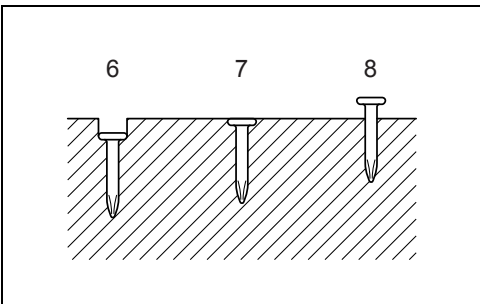
4



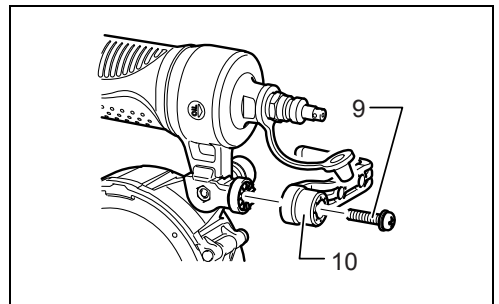
5



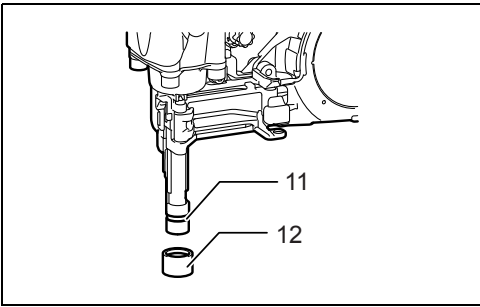
6



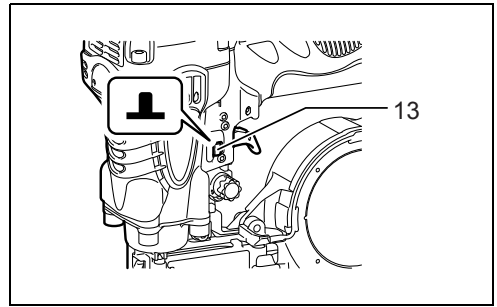
7



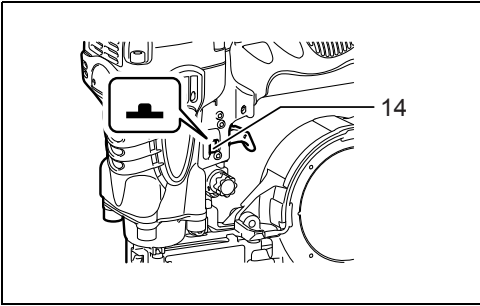
8



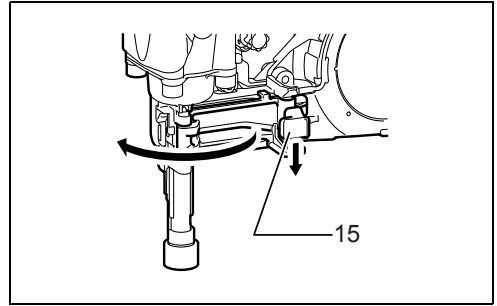
9



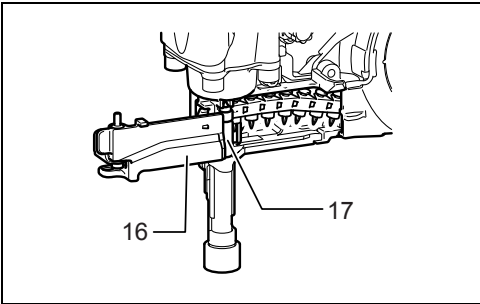
10



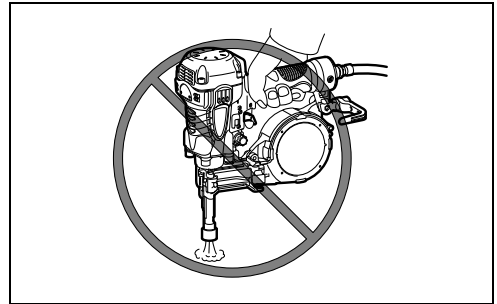
11



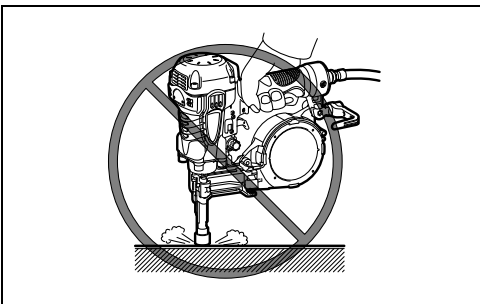
12



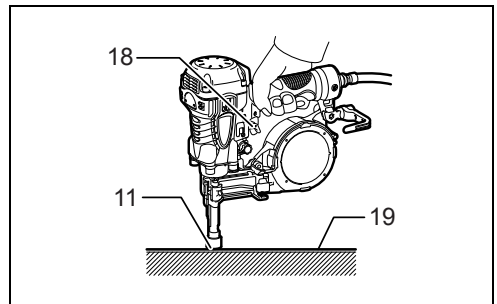
13



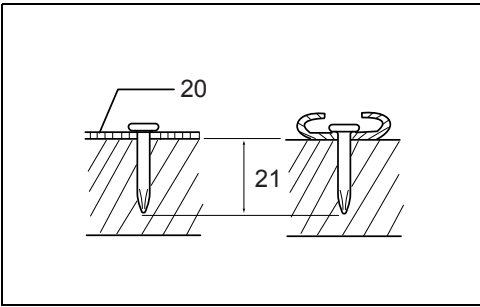
14



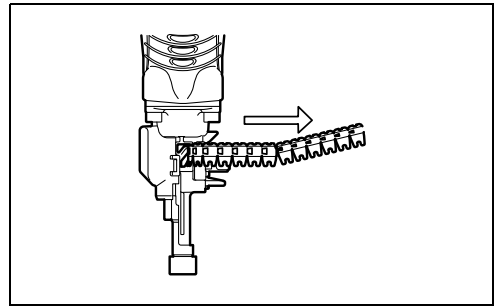
15



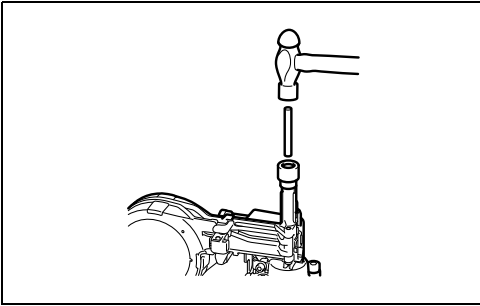
16



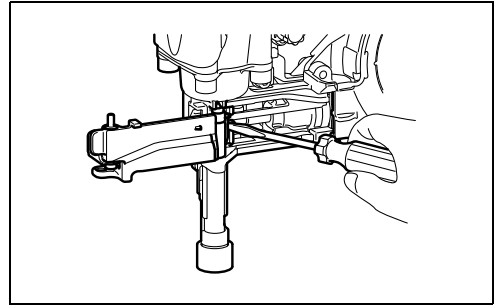
17



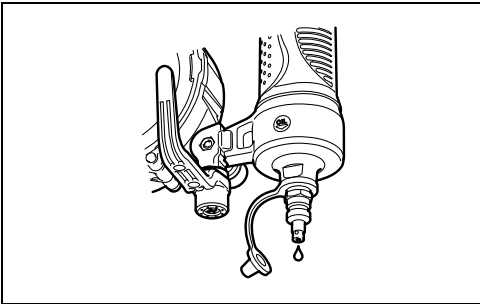
18



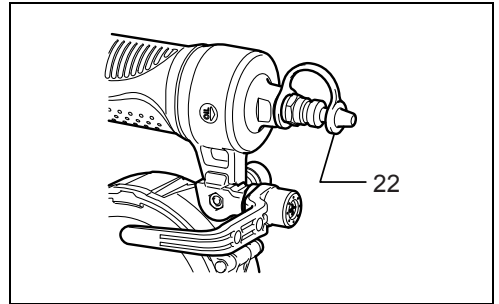
19



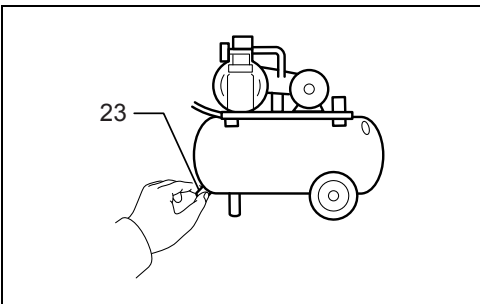
20



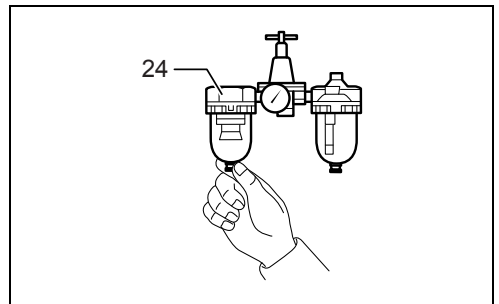
21



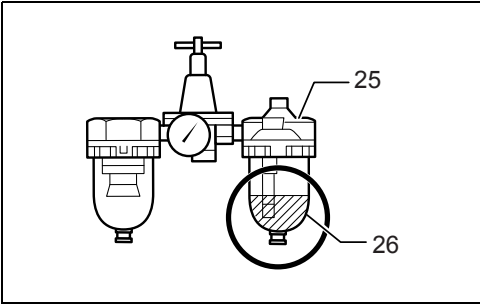
22



23



24



25



26

ENGLISH

Explanation of general view

1. Safety glasses	11. Contact element	21. Penetration amount into concrete
2. Face shield	12. Nose adapter	22. Cap
3. Compressor air output per minute	13. LOCK position	23. Drain cock
4. Nailing frequency	14. FREE position	24. Air filter
5. Adjuster	15. Latch lever	25. Oiler
6. Too deep	16. Door	26. Pneumatic oil
7. Flush	17. Driver channel	27. Thinner
8. Too shallow	18. Trigger	28. Stove
9. Screw	19. Workpiece	
10. Hook	20. Thin steel plate	

SPECIFICATIONS

Model	AN250HC
Air pressure	1.18 - 2.26 MPa (11.8 - 22.6 bar)
Nail length	19 mm - 25 mm Sheet-collated coil pin
Nail capacity	100 pcs
Min. hose diameter	5 mm
Dimensions (L X W X H)	295 mm X 128 mm X 291 mm
Net weight	2.1 kg

- Due to our continuing programme of research and development, the specifications herein are subject to change without notice.
- Specifications may differ from country to country.
- Weight according to EPTA-Procedure 01/2003

Intended use

ENE072-1

The tool is intended for securing a thin steel plate to the concrete.

IMPORTANT SAFETY INSTRUCTIONS

ENB115-1

WARNING: WHEN USING THIS TOOL, BASIC SAFETY PRECAUTIONS SHOULD ALWAYS BE FOLLOWED TO REDUCE THE RISK OF PERSONAL INJURY, INCLUDING THE FOLLOWING:

READ ALL INSTRUCTIONS.

1. For personal safety and proper operation and maintenance of the tool, read this instruction manual before using the tool.
2. Always wear safety glasses to protect your eyes from dust or pin injury.
WARNING:
It is an employer's responsibility to enforce the use of safety eye protection equipment by the tool operators and by other persons in the immediate working area.
3. For Australia and New Zealand only
Always wear safety glasses and face shield to protect your eyes from dust or pin injury. The safety glasses and the face shield should conform with the requirements of AS/NZS 1336.
WARNING:
It is an employer's responsibility to enforce the use of safety eye protection equipment by the tool operators

and by other persons in the immediate working area.
(Fig. 1)

4. Wear hearing protection to protect your ears against exhaust noise and head protection. Also wear light but not loose clothing. Sleeves should be buttoned or rolled up. No necktie should be worn.
5. Rushing the job or forcing the tool is dangerous. Handle the tool carefully. Do not operate when under the influence of alcohol, drugs or the like.
6. General Tool Handling Guidelines:
 - (1) Always assume that the tool contains fasteners.
 - (2) Do not point the tool toward yourself or anyone whether it contains fasteners or not.
 - (3) Do not activate the tool unless the tool is placed firmly against the workpiece.
 - (4) Respect the tool as a working implement.
 - (5) No horseplay.
 - (6) Do not hold or carry the tool with a finger on the trigger.
 - (7) Do not load the tool with fasteners when any one of the operating controls is activated.
 - (8) Do not operate the tool with any power source other than that specified in the tool operating/safety instructions.
7. An improperly functioning tool must not be used.
8. Sparks sometimes fly when the tool is used. Do not use the tool near volatile, flammable materials such as gasoline, thinner, paint, gas, adhesives, etc.; they will ignite and explode, causing serious injury.
9. The area should be sufficiently illuminated to assure safe operations. The area should be clear and litter-

- free. Be especially careful to maintain good footing and balance.
10. Only those involved in the work should be in the vicinity. Children especially must be kept away at all times.
 11. There may be local regulations concerning noise which must be complied with by keeping noise levels within prescribed limits. In certain cases, shutters should be used to contain noise.
 12. Do not play with the contact element: it prevents accidental discharge, so it must be kept on and not removed. Securing the trigger in the ON position is also very dangerous. Never attempt to fasten the trigger. Do not operate a tool if any portion of the tool operating controls is inoperable, disconnected, altered, or not working properly.
 13. Operate the tool within the specified air pressure of 1.18 - 2.26 MPa (11.8 - 22.6 bar) for safety and longer tool life. Do not exceed the recommended max. operating pressure of 2.26 MPa (22.6 bar). The tool should not be connected to a source whose pressure potentially exceeds 3.39 MPa (33.9 bar).
 14. Make sure that the pressure supplied by the compressed air system does not exceed the maximum allowable pressure of the fastener driving tool. Set the air pressure initially to the lower value of the recommended allowable pressure (see SPECIFICATIONS).
 15. Never use the tool with other than compressed air. If bottled gas (carbon dioxide, oxygen, nitrogen, hydrogen, air, etc.) or combustible gas (hydrogen, propane, acetylene, etc.) is used as a power source for this tool, the tool will explode and cause serious injury.
 16. Always check the tool for its overall condition and loose screws before operation. Tighten as required.
 17. Make sure all safety systems are in working order before operation. The tool must not operate if only the trigger is pulled or if only the contact element is pressed against the wood. It must work only when both actions are performed. Test for possible faulty operation with pins unloaded and the pusher in fully pulled position.
 18. Make sure that the trigger is locked when the lock lever is set to the LOCK position.
 19. Check walls, ceilings, floors, roofing and the like carefully to avoid possible electrical shock, gas leakage, explosions, etc. caused by striking live wires, conduits or gas pipes.
 20. Use only pins specified in this manual. The use of any other pins may cause malfunction of the tool.
 21. Never use fastener driving tools marked with the symbol "Do not use on scaffoldings, ladders" for specific application for example:
 - when changing one driving location to another involves the use of scaffoldings, stairs, ladders, or ladder alike constructions, e.g. roof laths;
 - closing boxes or crates;
 - fitting transportation safety systems e.g. on vehicles and wagons.
 22. Do not permit those uninstructed to use the tool.
 23. Make sure no one is nearby before driving pins. Never attempt to drive pins from both the inside and outside at the same time. pins may rip through and/or fly off, presenting a grave danger.
 24. Watch your footing and maintain your balance with the tool. Make sure there is no one below when working in high locations, and secure the air hose to prevent danger if there is sudden jerking or catching.
 25. On rooftops and other high locations, drive pins as you move forward. It is easy to lose your footing if you drive pins while inching backward. When driving pins against perpendicular surface, drive pins from the top to the bottom. You can perform pin driving operations with less fatigue by doing so.
 26. A pin will be bent or the tool can become jammed if you mistakenly drive pins on top of another pin or strike a knot in the wood. The pin may be thrown and hit someone, or the tool itself can react dangerously. Place the pins with care.
 27. Do not leave the loaded tool or the air compressor under pressure for a long time out in the sun. Be sure that dust, sand, chips and foreign matter will not enter the tool in the place where you leave it setting.
 28. Do not point the ejection port at anyone in the vicinity. Keep hands and feet away from the ejection port area.
 29. When the air hose is connected, do not carry the tool with your finger on the trigger or hand it to someone in this condition. Accidental firing can be extremely dangerous.
 30. Handle the tool carefully, as there is high pressure inside the tool that can be dangerous if a crack is caused by rough handling (dropping or striking). Do not attempt to carve or engrave on the tool.
 31. Stop pin driving operations immediately if you notice something wrong or out of the ordinary with the tool.
 32. Always disconnect the air hose and remove all of the pins:
 1. When unattended.
 2. Before performing any maintenance or repair.
 3. Before cleaning a jam.
 4. Before moving the tool to a new location.
 33. Perform cleaning and maintenance right after finishing the job. Keep the tool in tip-top condition. Lubricate moving parts to prevent rusting and minimize friction-related wear. Wipe off all dust from the parts.
 34. When not operating the tool, always lock the trigger by turning the lock lever to the LOCK position.
 35. Do not modify tool without authorization from Makita.
 36. Ask Makita's Authorized service centers for periodical inspection of the tool.
 37. To maintain product SAFETY and RELIABILITY, maintenance and repairs should be performed by Makita Authorized Service Centers, always using Makita replacement parts.
 38. Use only pneumatic tool oil specified in this manual.
 39. Never connect tool to compressed air line where the maximum allowable pressure of tool cannot be exceeded by 10 %. Make sure that the pressure supplied by the compressed air system does not exceed the maximum allowable pressure of the fastener driving tool. Set the air pressure initially to the lower value of the recommended allowable pressure.
 40. Do not attempt to keep the trigger contact element depressed with tape or wire. Death or serious injury may occur.

- Always check contact element as instructed in this manual. Pins may be driven accidentally if the safety mechanism is not working correctly.

SAVE THESE INSTRUCTIONS.

INSTALLATION

Selecting compressor (Fig. 2)

The air compressor must comply with the requirements of EN60335-2-34.

Select a compressor that has ample pressure and air output to assure cost-efficient operation. The graph shows the relation between pin-driving frequency, applicable pressure and compressor air output.

Thus, for example, if pin driving takes place at a rate of approximately 15 times per minute at a compression of 1.76 MPa (17.6 bar), a compressor with an air output over 70 liters/minute is required.

Pressure regulators must be used to limit air pressure to the rated pressure of the tool where air supply pressure exceeds the tool's rated pressure. Failure to do so may result in serious injury to tool operator or persons in the vicinity.

Selecting air hose (Fig. 3)

Use a high pressure resistant air hose.

Use an air hose as large and as short as possible to assure continuous, efficient pin-driving operation.

CAUTION:

- Low air output of the compressor, or a long or smaller diameter air hose in relation to the pin-driving frequency may cause a decrease in the driving capability of the tool.

Lubrication (Fig. 4)

To insure maximum performance, install an air set (oil, regulator, air filter) as close as possible to the tool. Adjust the oiler so that one drop of oil will be provided for every 30 pins. (Fig. 5)

When an air set is not used, oil the tool with pneumatic tool oil by placing two or three drops into the air fitting. This should be done before and after use. For proper lubrication, the tool must be fired a couple of times after pneumatic tool oil is introduced.

FUNCTIONAL DESCRIPTION

CAUTION:

- Always disconnect the air hose before adjusting or checking function on the tool.

Adjusting the pin-driving depth

CAUTION:

- Always disconnect the hose before adjusting the pin-driving depth. (Fig. 6 & 7)

If pins are driven too deep, turn the adjuster clockwise. If pins are driven too shallow, turn the adjuster counterclockwise.

The adjustable range is 10 mm. (One full turn allows 0.8 mm adjustment.)

Hook

CAUTION:

- Always disconnect the hose when hanging the tool using the hook.
- Never hang the tool on a waist belt or like. Dangerous accidental firing may result. (Fig. 8)

The hook is convenient for hanging the tool temporarily. This hook can be installed on either side of the tool.

When changing the installation position, remove the screw with a screwdriver. Install the hook on another side for installation and then secure it with the screw.

Install the hook on another side for installation and then secure it with the screw.

Use the nose adapter

CAUTION:

- Always disconnect the hose before installing or removing the nose adapter. (Fig. 9)

If you like to avoid shifting of driving points by slippage on workpiece, attach the nose adapter of contact element. Usually use one of two nose adapter A (transparent), one factory-installed on the contact element and the other stored below the grip.

When working on narrow partition tracks, use nose one of two nose adapter B (black) which are provided with in the tool carton box.

To attach the nose adapter to the contact element, press it onto the contact element as far as it will go.

Locking the trigger

This nailer is provided with the mechanism for locking trigger to avoid personal injuries and property damage caused by improper operation during other than pin-driving operation. (Fig. 10)

Set the change lever to the LOCK position to lock the trigger. (Fig. 11)

Before driving pins, set the change lever to the FREE position. When NOT driving pins, be sure to set the change lever to the LOCK position and disconnect the air hose.

ASSEMBLY

CAUTION:

- Always disconnect the air hose before loading the nailer.

Loading the nailer (Fig. 12)

Disconnect the air hose from the tool. Select pins suitable for your work. Depress the latch lever and open the door and magazine cap. (Fig. 13)

Place the pin coil in the magazine. Uncoil enough pins to reach the pin guide. Place the first pin in the feeder and the second pin in the feed claw. Place other uncoiled pins on feeder body. Close the magazine cap slowly until it lock after checking to see that the pin coil is set properly in the magazine.

Connecting air hose

Slip the air socket of the air hose onto the air fitting on the nailer. Be sure that the air socket locks firmly into position when installed onto the air fitting.

OPERATION

CAUTION:

- Be sure to set the change lever to the LOCK position to avoid unexpected misfiring when the tool is not in use.
- Make sure all safety systems are in working order before operation. (Fig. 14)

Only pulling trigger without contact element contacting workpiece must not bring about the tool firing. (Fig. 15)

Only contact element contacting workpiece without pulling trigger must not bring about the tool firing. (Fig. 16)

This nailer is only for intermittent pin-driving. Intermittent pin-driving is a method of pinning piece by piece with the following step.

1. Set the change lever to the FREE position.
2. Place the contact element against the workpiece
3. And then pull the trigger.

Pin-driving of concrete

WARNING:

- Use hardened pins only for concrete. Using other purposed pins may cause serious injuries. Do not pin directly on the concrete. Failure to do so may cause concrete fragments to fly off or pins to strike back, causing serious injuries.
- When driving pins, hold the tool so that it stands upright to the driving surface. Slanted pin-driving may cause concrete fragments to fly off or pins to strike back, causing serious injuries.
- Do not use on the surface that objects hang from, such as area where hangers for sewer pipe, dust pipe etc. are set up. Choose and use pins so that the penetration amount into concrete ranges 15 mm - 20 mm. (Fig. 17)

CAUTION:

- Use this tool only for soft concrete built up not so long before. Using on the hard concrete may cause pin bending or pin-driving to insufficient depth.
- When the penetration amount into concrete is required more than 20 mm, driving pins to the sufficient length may not be obtained. Pins may be driven too shallow causing unstable workpiece, resulting in personal injury and damage to property.

Cutting off the sheet

CAUTION:

- Always disconnect the hose before cutting off the sheet. (Fig. 18)
- Tear off the output sheet in the direction of the arrow when using the sheet collated pins.

MAINTENANCE

CAUTION:

- Always disconnect the air hose from the tool before attempting to perform inspection or maintenance.

Jammed nailer

CAUTION:

- Always disconnect the air hose and remove the pins from the magazine before cleaning a jam. (Fig. 19 & 20)

When the nailer becomes jammed, do as follows:

Open the magazine cap and remove the pin coil. Insert a small rod or the like into the ejection port and tap it with a hammer to drive out the pin jamming from the ejection port. Reset the pin coil and close the magazine cap.

Drain tool (Fig. 21)

Remove the hose from the tool. Place the tool so that the air fitting faces down to the floor. Drain as much as possible.

Cleaning of tool

Blow off dust adherent to the tool by using an air duster.

Cap (Fig. 22)

When not in use, disconnect the hose. Then cap the air fitting with the cap.

Storage

When not in use, the nailer should be stored in a warm and dry place.

Maintenance of compressor, air set and air hose.

(Fig. 23 & 24)

After operation, always drain the compressor tank and the air filter. If moisture is allowed to enter the tool, it may result in poor performance and possible tool failure. Check regularly to see if there is sufficient pneumatic oil in the oiler of the air set. Failure to maintain sufficient lubrication will cause O-rings to wear quickly. (Fig. 25) Keep the air hose away from heat (over 60°C, over 140°F), away from chemicals (thinner, strong acids or alkalis). Also, route the hose away from obstacles which it may become dangerously caught on during operation. Hoses must also be directed away from sharp edges and areas which may lead to damage or abrasion to the hose. (Fig. 26)

To maintain product SAFETY and RELIABILITY, repairs, any other maintenance or adjustment should be performed by Makita Authorized Service Centers, always using Makita replacement parts.

ACCESSORIES

CAUTION:

- These accessories or attachments are recommended for use with your Makita tool specified in this manual. The use of any other accessories or attachments might present a risk of injury to persons. Only use accessory or attachment for its stated purpose.

If you need any assistance for more details regarding these accessories, ask your local Makita Service Center.

- Pins
- Air hoses
- Safety goggles

Noise

ENG102-3

The typical A-weighted noise level determined according to EN792:

Sound pressure level (L_{pA}): 89 dB (A)

Sound power level (L_{WA}): 102 dB (A)

Uncertainty (K): 3 dB (A)

Wear ear protection.

Vibration

ENG233-2

The vibration emission value determined according to
EN792:

Vibration emission (a_v): 3.5 m/s²

Uncertainty (K): 1.5 m/s²

For European countries only

ENH003-11

EC Declaration of Conformity

**We Makita Corporation as the responsible
manufacturer declare that the following Makita
machine(s):**

Designation of Machine: Pneumatic Concrete Nailer

Model No./ Type: AN250HC

are of series production and

Conforms to the following European Directives:

98/37/EC until 28th December 2009 and then with

2006/42/EC from 29th December 2009

And are manufactured in accordance with the following
standards or standardised documents:

EN792

The technical documentation is kept by our authorised
representative in Europe who is:

Makita International Europe Ltd.,

Michigan, Drive, Tongwell,

Milton Keynes, MK15 8JD, England

13th March 2009



Tomoyasu Kato

Director

Makita Corporation

3-11-8, Sumiyoshi-cho,

Anjo, Aichi, JAPAN

- | | | |
|---|----------------------------|--|
| 1. Lunettes de sécurité | 10. Crochet | 20. Plaque en acier mince |
| 2. Visière | 11. Dispositif de contact | 21. Degré de pénétration dans le béton |
| 3. Sortie d'air du compresseur par minute | 12. Adaptateur de bec | 22. Coiffe |
| 4. Fréquence de clouage | 13. Position verrouillée | 23. Robinet de vidange |
| 5. Bague de réglage | 14. Position déverrouillée | 24. Filtre à air |
| 6. Trop profond | 15. Levier de fermeture | 25. Huileur |
| 7. Encastré | 16. Porte | 26. Huile pour outil pneumatique |
| 8. Trop peu profond | 17. Canal de l'entraîneur | 27. Diluant |
| 9. Vis | 18. Gâchette | 28. Cuisinière |
| | 19. Pièce à travailler | |

SPECIFICATIONS

Modèle	AN250HC
Pression d'air	1,18 à 2,26 MPa (11,8 à 22,6 bar)
Longueur de clou	19 mm à 25 mm Clous de bobine collés sur feuille
Capacité de clouage	100 clous
Diamètre min. du tuyau	5 mm
Dimensions (L X P X H)	295 mm X 128 mm X 291 mm
Poids net	2,1 kg

- Étant donné l'évolution constante de notre programme de recherche et de développement, les spécifications contenues dans ce manuel sont sujettes à modification sans préavis.
- Les spécifications peuvent varier d'un pays à l'autre.
- Poids conforme à la procédure EPTA 01/2003

Utilisations

ENE072-1

Cet outil permet de fixer une mince plaque d'acier dans le béton.

CONSIGNES DE SÉCURITÉ IMPORTANTES

ENB115-1

AVERTISSEMENT : LORS DE L'UTILISATION DE CET OUTIL, VOUS DEVEZ TOUJOURS PRENDRE DES PRÉCAUTIONS ÉLÉMENTAIRES EN MATIÈRE DE SÉCURITÉ POUR RÉDUIRE LES RISQUES DE BLESSURE. CES PRÉCAUTIONS COMPRENENT LES SUIVANTES :

LISEZ TOUTES LES INSTRUCTIONS.

1. Pour votre propre sécurité et pour assurer le bon fonctionnement et la maintenance de l'outil, veuillez lire ce manuel d'instructions avant d'utiliser l'outil.
2. Portez toujours des lunettes de sécurité pour protéger vos yeux du contact de la poussière ou d'un clou.
AVERTISSEMENT :
L'employeur a la responsabilité d'imposer le port d'un dispositif de protection des yeux aux utilisateurs de l'outil et à toute personne présente dans la zone de travail.
3. Pour l'Australie et la Nouvelle-Zélande uniquement
Portez toujours des lunettes de sécurité et une visière pour protéger vos yeux du contact de la poussière ou d'un clou. Les lunettes de sécurité et la visière doivent être conformes aux exigences de la norme AS/NZS 1336.

AVERTISSEMENT :

L'employeur a la responsabilité d'imposer le port d'un dispositif de protection des yeux aux utilisateurs de l'outil et à toute personne présente dans la zone de travail. (Fig. 1)

4. Portez une protection auditive pour protéger vos oreilles du bruit de l'échappement et portez un casque de sécurité. Portez également des vêtements légers mais non amples. Veuillez boutonner ou rouler vos manches. Ne portez pas de cravate.
5. Il est dangereux de travailler trop vite ou d'appliquer une charge de travail excessive à l'outil. Manipulez l'outil avec précaution. N'utilisez pas l'outil si vous avez consommé de l'alcool, une drogue ou des médicaments, etc.
6. Conseils généraux pour l'utilisation de l'outil :
 - (1) Gardez toujours à l'esprit que l'outil contient des clous.
 - (2) L'outil ne doit jamais être pointé vers vous-même ou vers une autre personne, qu'il contienne ou non des clous.
 - (3) Ne mettez pas l'outil en marche avant qu'il ne soit fermement placé sur la pièce à travailler.
 - (4) Respectez votre outil en tant qu'instrument de travail.
 - (5) Évitez tout chahut.
 - (6) L'outil ne doit jamais être saisi ou transporté en posant un doigt sur la gâchette.
 - (7) Ne mettez jamais de clous dans l'outil alors que l'une de ses commandes est activée.
 - (8) Ne branchez jamais l'outil sur une source d'alimentation autre que celle spécifiée dans les

- instructions d'utilisation/de sécurité qui l'accompagnent.
7. Tout outil défectueux ne doit pas être utilisé.
 8. Des étincelles s'échappent parfois de l'outil pendant son utilisation. N'utilisez pas l'outil près de substances ou matériaux volatiles ou inflammables tels que l'essence, le diluant, la peinture, le gaz, les adhésifs, etc. Ils risqueraient de prendre feu, d'exploser et de causer une blessure grave.
 9. L'aire de travail doit être suffisamment éclairée pour assurer la sécurité du travail. L'aire de travail doit être maintenue propre et exempte de déchets. Veillez particulièrement à maintenir une bonne assise et une bonne position d'équilibre.
 10. Seules les personnes qui participent au travail doivent pénétrer dans la zone de travail. Les enfants, tout particulièrement, doivent être constamment maintenus à l'écart.
 11. Il se peut que des réglementations locales s'appliquent concernant les niveaux de bruit autorisés. Veuillez les respecter. Dans certains cas, des volets doivent être installés pour réduire le bruit.
 12. Ne jouez pas avec le dispositif de contact : il empêche les décharges accidentelles, donc il doit être gardé activé et ne pas être désactivé. Il est également très dangereux de fixer la gâchette en position de marche. Ne tenez jamais d'immobiliser la gâchette. N'utilisez jamais un outil dont l'une des commandes est inutilisable, déconnectée, modifiée ou ne fonctionne pas correctement.
 13. Utilisez l'outil selon la pression d'air spécifiée de 1,18 à 2,26 MPa (11,8 à 22,6 bar) par mesure de sécurité et pour prolonger la durée de service de l'outil. Ne dépassez pas la pression max. de fonctionnement recommandée, 2,26 MPa (22,6 bar). L'outil ne doit pas être raccordé à une source dont la pression peut dépasser 3,39 MPa (33,9 bar).
 14. Assurez-vous que la pression fournie par le système d'air comprimé ne dépasse pas la pression maximale autorisée du cloueur. Réglez d'abord la pression d'air sur la plus basse valeur de pression permise recommandée (voir SPÉCIFICATIONS).
 15. Cet outil doit être exclusivement utilisé avec de l'air comprimé. L'utilisation d'une bouteille de gaz (dioxyde de carbone, oxygène, nitrogène, hydrogène, air, etc.) ou de gaz combustible (hydrogène, propane, acétylène, etc.) comme source d'alimentation de cet outil entraînera une explosion et risque de causer des blessures graves.
 16. Avant d'utiliser l'outil, assurez-vous qu'il est en bon état et qu'aucune de ses vis n'est desserrée. Le cas échéant, serrez les vis.
 17. Assurez-vous que tous les dispositifs de sécurité sont en état de fonctionner avant d'utiliser l'outil. L'outil ne doit pas s'activer si vous appuyez uniquement sur la gâchette ou si vous appuyez simplement le dispositif de contact contre le bois. Il ne doit s'activer que lorsque ces deux actions sont exécutées. Recherchez un éventuel dysfonctionnement en effectuant un test avec des clous non chargés et le poussoir en position entièrement tiré.
 18. Assurez-vous que la gâchette est bloquée lorsque le bouton de sécurité est réglé en position LOCK.
 19. Pour éviter tout risque de choc électrique, de fuite de gaz, d'explosion, etc., provoqué par le contact avec des fils dénudés, des conduites ou des tuyaux de gaz, vérifiez les murs, les plafonds, le plancher, le toit, etc.
 20. N'utilisez que les clous spécifiés dans ce clou. L'outil risque de mal fonctionner si vous utilisez tout autre type de clou.
 21. N'utilisez jamais les cloueurs qui portent le symbole « Ne pas utiliser sur des échafaudages ou échelles » pour des travaux spécifiques, comme par exemple :
 - lorsque le changement de la position de clouage implique l'utilisation d'un échafaudage, d'un escalier ou d'une échelle, par ex. pour clouer des lattes de toit ;
 - la fermeture de boîtes ou de caisses ;
 - l'installation de dispositifs de sécurité pour le transport, comme par exemple sur des véhicules ou des wagons.
 22. Seules les personnes ayant pris connaissance du fonctionnement de l'outil doivent être autorisées à l'utiliser.
 23. Avant de procéder au clouage, assurez-vous que personne ne se trouve à proximité. Ne tenez jamais de clouer depuis l'intérieur et l'extérieur simultanément. Des clous pourraient jaillir et/ou voler en éclats, présentant un grave danger.
 24. Regardez où vous posez les pieds et assurez-vous d'un bon équilibre pendant l'utilisation de l'outil. Assurez-vous que personne ne se trouve au-dessous de vous lorsque vous travaillez dans un endroit élevé, et fixez le tuyau d'air de sorte qu'il ne risque pas de se détacher s'il est secoué ou s'il se coince.
 25. Sur les toits et autres endroits élevés, clouez en vous déplaçant vers l'avant. Vous pouvez facilement perdre pied si vous clouez en vous déplaçant à reculons. Lorsque vous clouez sur une surface verticale, faites-le du haut vers le bas. De cette façon le travail de clouage sera moins exigeant physiquement.
 26. Le clou risque de se plier ou l'outil de se bloquer si vous clouez par inadvertance dans un nœud ou sur un autre clou. Le clou risque alors d'être projeté et de frapper quelqu'un, ou bien l'outil lui-même risque de réagir de manière dangereuse. Choisissez l'emplacement des clous avec soin.
 27. N'abandonnez pas un outil chargé ou un compresseur d'air sous pression exposé au soleil à l'extérieur pendant une période prolongée. Assurez-vous de toujours déposer l'outil là où la poussière, le sable, les copeaux et corps étrangers ne risquent pas d'y pénétrer.
 28. Ne pointez jamais la sortie d'éjection vers une personne située à proximité. Gardez les mains et les pieds à l'écart de la zone de la sortie d'éjection.
 29. Pour transporter l'outil ou le donner à quelqu'un alors que le tuyau d'air est raccordé, ne posez pas le doigt sur la gâchette. Le déclenchement accidentel de l'outil peut être extrêmement dangereux.
 30. Manipulez l'outil prudemment, car la pression élevée à l'intérieur de l'outil représente un danger si une fissure est provoquée par une manipulation brusque (si vous échappez ou heurtez l'outil). Ne tenez jamais de tailler ou graver une inscription sur l'outil.

31. Cessez immédiatement de vous en servir si vous notez une anomalie ou un fonctionnement inhabituel de l'outil.
32. Déconnectez toujours le tuyau d'air et retirez tous les clous dans les cas suivants :
 1. Lorsque l'outil est laissé sans surveillance.
 2. Avant d'effectuer tout travail de maintenance ou de réparation sur l'outil.
 3. Avant de réparer un blocage.
 4. Avant de déplacer l'outil vers un autre lieu.
33. Procédez au nettoyage et à la maintenance de l'outil une fois le travail terminé. Maintenez l'outil en excellente condition. Lubrifiez les pièces mobiles pour éviter qu'elles ne rouillent et pour limiter l'usure liée à la friction. Retirez toute poussière déposée sur les pièces.
34. Lorsque vous n'utilisez pas l'outil, verrouillez toujours la gâchette en tournant le bouton de sécurité en position LOCK.
35. Ne modifiez pas l'outil sans l'autorisation de Makita.
36. Confiez régulièrement l'outil à un centre de service après-vente agréé Makita pour le faire inspecter.
37. Pour maintenir la SÉCURITÉ et la FIABILITÉ de l'outil, sa maintenance et ses réparations doivent être effectuées dans un centre de service après-vente agréé Makita, exclusivement avec des pièces de rechange Makita.
38. Utilisez exclusivement l'huile pour outil pneumatique spécifiée dans ce manuel.
39. Ne connectez jamais l'outil à une conduite d'air comprimé sur laquelle la pression permise maximale de l'outil ne peut pas être dépassée de 10 %. Assurez-vous que la pression fournie par le système d'air comprimé ne dépasse pas la pression maximale autorisée du cloueur. Réglez d'abord la pression d'air sur la plus basse valeur de pression permise recommandée.
40. N'essayez pas de garder le dispositif de contact de la gâchette enfoncé à l'aide de ruban adhésif ou de fil. Il y a risque de décès ou de blessure grave.
 - Vérifiez toujours le dispositif de contact comme indiqué dans le présent manuel. Vous risquez de procéder accidentellement au clouage si le mécanisme de sécurité ne fonctionne pas correctement.

CONSERVEZ CES INSTRUCTIONS.

INSTALLATION

Choix du compresseur (Fig. 2)

Le compresseur à air doit être conforme à la norme EN60335-2-34.

Choisissez un compresseur dont la pression et la sortie d'air sont suffisantes pour assurer un bon rapport coût-rendement lors de l'utilisation. Le graphique présente la relation entre la fréquence de clouage, la pression applicable et la sortie d'air du compresseur.

Ainsi, par exemple, si le clouage s'effectue à un taux d'environ 15 clous par minute selon une compression de 1,76 MPa (17,6 bar), il faudra un compresseur dont la sortie d'air est supérieure à 70 litres/minute.

Des régulateurs de pression doivent être utilisés pour limiter la pression d'air à la pression nominale de l'outil lorsque l'alimentation de la pression d'air dépasse la pression nominale de l'outil. Dans le cas contraire, il y a risque de blessure grave pour l'utilisateur ou les personnes situées à proximité.

Choix du tuyau d'air (Fig. 3)

Utilisez un tuyau d'air résistant aux pressions élevées. Utilisez un tuyau d'air le plus gros et court possible pour assurer un clouage continu et efficace.

ATTENTION :

- La capacité d'entraînement de l'outil risque de diminuer si la sortie d'air du compresseur est faible ou si le diamètre du tuyau d'air est trop grand ou trop petit par rapport à la fréquence de clouage.

Lubrification (Fig. 4)

Pour assurer un rendement optimal, installez un dispositif d'air (huileur, régulateur, filtre à air) le plus près possible de l'outil. Réglez le huileur de sorte qu'une goutte d'huile soit fournie tous les 30 clous. (Fig. 5)

Lorsqu'un dispositif d'air n'est pas utilisé, huilez l'outil avec de l'huile pour outil pneumatique en versant deux ou trois gouttes dans le raccord à air. Cela doit être fait avant et après l'utilisation. Pour une lubrification adéquate, vous devez activer l'outil à plusieurs reprises après y avoir versé de l'huile à outil pneumatique.

DESCRIPTION DU FONCTIONNEMENT

ATTENTION :

- Déconnectez toujours le tuyau d'air avant de régler ou de vérifier le fonctionnement de l'outil.

Réglage de la profondeur de clouage

ATTENTION :

- Déconnectez toujours le tuyau avant de régler la profondeur de clouage. (Fig. 6 et 7)

Si les clous sont enfoncés trop profondément, tournez la bague de réglage dans le sens horaire. Si les clous sont enfoncés trop peu profondément, tournez la bague de réglage dans le sens antihoraire.

La plage de réglage est de 10 mm. (Un tour complet permet un réglage de 0,8 mm).

Crochet

ATTENTION :

- Débranchez toujours le tuyau lorsque vous suspendez l'outil à l'aide du crochet.
- Ne suspendez jamais l'outil sur une ceinture ou un objet similaire. Un déclenchement accidentel dangereux pourrait se produire. (Fig. 8)

Le crochet est pratique pour suspendre l'outil temporairement. Ce crochet s'installe d'un côté comme de l'autre de l'outil.

Lorsque vous changez sa position d'installation, déposez la vis à l'aide d'un tournevis. Installez le crochet de l'autre côté pour l'installation, puis fixez-le à l'aide de la vis.

Installez le crochet de l'autre côté pour l'installation, puis fixez-le à l'aide de la vis.

Utilisez l'adaptateur de bec.

ATTENTION :

- Déconnectez toujours le tuyau avant d'installer ou de déposer l'adaptateur de bec. (Fig. 9)

Pour éviter de glisser sur la pièce à travailler et enfoncer des clous par accident, fixez l'adaptateur de bec du dispositif de contact.

Utilisez plutôt l'un des deux adaptateurs de bec A (transparent), l'un étant installé en usine sur le dispositif de contact et l'autre rangé sous la poignée.

Si vous travaillez sur des rails de cloisonnement étroits, utilisez l'un des deux adaptateurs de bec B (noir) fourni avec l'outil.

Pour fixer l'adaptateur de bec sur le dispositif de contact, enfoncez-le à fond sur ce dernier.

Verrouillage de la gâchette

Ce cloueur est équipé d'un mécanisme de verrouillage de la gâchette permettant d'éviter les blessures corporelles et les dommages matériels dus à un fonctionnement incorrect de l'outil en dehors de la période de clouage.

(Fig. 10)

Réglez le levier de changement de mode en position LOCK afin de verrouiller la gâchette. (Fig. 11)

Avant de procéder au clouage, réglez le levier de changement de mode en position FREE. Lorsque vous NE procédez PAS au clouage, veillez à régler le levier de changement de mode en position LOCK et à déconnecter le tuyau d'air.

ASSEMBLAGE

ATTENTION :

- Déconnectez toujours le tuyau d'air avant de charger le cloueur.

Chargement du cloueur (Fig. 12)

Déconnectez le tuyau d'air de l'outil. Choisissez des clous adaptés au type de travail effectué. Appuyez sur le levier de fermeture et ouvrez la porte et le capuchon du magasin. (Fig. 13)

Placez la bobine de clous dans le magasin. Dévidez suffisamment de clous pour atteindre le guide-clou. Placez le premier clou dans le dispositif d'alimentation et le deuxième clou dans la griffe d'alimentation. Placez les autres clous dévidés sur le châssis du dispositif d'alimentation. Fermez le capuchon du magasin lentement jusqu'à ce qu'il se bloque, après avoir vérifié que la bobine de clous est en place dans le magasin.

Raccordement du tuyau d'air

Glissez la prise d'air du tuyau d'air dans le raccord à air du cloueur. Assurez-vous que la prise d'air se verrouille fermement en position une fois installée dans le raccord à air.

FONCTIONNEMENT

ATTENTION :

- Veillez à régler le levier de changement de mode en position LOCK pour éviter tout déclenchement involontaire de l'outil lorsque vous ne l'utilisez pas.
- Assurez-vous que tous les dispositifs de sécurité sont en état de fonctionner avant d'utiliser l'outil. (Fig. 14)

Le fait d'appuyer sur la gâchette sans placer le dispositif de contact contre la pièce à travailler ne doit pas entraîner le déclenchement de l'outil. (Fig. 15)

Le fait de placer le dispositif de contact contre la pièce à travailler sans appuyer sur la gâchette ne doit pas entraîner le déclenchement de l'outil. (Fig. 16)

Ce cloueur est destiné à un clouage intermittent. Le clouage intermittent consiste à enfoncer des clous l'un après l'autre selon la méthode suivante.

1. Réglez le levier de changement de mode en position FREE.
2. Placez le dispositif de contact contre la pièce à travailler.
3. Puis appuyez sur la gâchette.

Clouage dans du béton

AVERTISSEMENT :

- Utilisez des clous durcis uniquement pour le béton. L'utilisation d'autres clous risque de provoquer des blessures graves. Ne clouez pas directement sur le béton. Des fragments de béton risqueraient alors de voler en éclat ou les clous de rebondir, entraînant des blessures graves.
- Lors du clouage, tenez l'outil de sorte qu'il soit positionné à la verticale sur la surface de clouage. En cas d'inclinaison de l'outil lors du clouage, des fragments de béton risquent de voler en éclat ou les clous de rebondir, entraînant des blessures graves.
- N'utilisez pas l'outil sur des surfaces auxquelles sont suspendus des objets, par exemple des supports pour tuyaux d'évacuation, des conduites à poussière, etc. Choisissez et utilisez des clous pouvant être enfoncés de 15 mm à 20 mm dans le béton. (Fig. 17)

ATTENTION :

- Utilisez cet outil uniquement pour le béton souple récemment réalisé. L'utilisation dans du béton dur risque de faire plier les clous ou de ne pas permettre un enfoncement suffisant.
- Si le degré de pénétration requis dans le béton est supérieur à 20 mm, vous risquez de ne pas pouvoir enfoncer suffisamment les clous. Les clous risquent d'être enfoncés trop peu profondément, entraînant l'instabilité de la pièce à travailler et provoquant des blessures corporelles et des dommages matériels.

Découpage de la feuille

ATTENTION :

- Déconnectez toujours le tuyau avant de découper la feuille. (Fig. 18)

Tirez la feuille dans le sens de la flèche lors de l'utilisation de clous collés sur feuille.

ENTRETIEN

ATTENTION :

- Déconnectez toujours le tuyau d'air de l'outil avant d'effectuer l'inspection ou la maintenance.

Cloueur bloqué

ATTENTION :

- Déconnectez toujours le tuyau d'air et enlevez les clous du magasin avant de supprimer un blocage. (Fig. 19 et 20)

Quand un clou est bloqué, procédez comme suit : Ouvrez le capuchon du magasin et enlevez la bobine à clous. Insérez une petite tige ou autre similaire dans le port d'éjection et tapez-la avec un marteau pour sortir le clou bloqué du port d'éjection. Réinitialisez la bobine de clous et fermez le capuchon du magasin.

Vidange de l'outil (Fig. 21)

Débranchez le tuyau de l'outil. Placez l'outil de sorte que le raccord à air soit orienté vers le sol. Purgez-le au maximum.

Nettoyage de l'outil

Évacuez la poussière collée à l'outil à l'aide d'un souffleur d'air.

Coiffe (Fig. 22)

Lorsque vous n'utilisez pas le tuyau, débranchez-le. Ensuite, refermez le raccord à air à l'aide de la coiffe.

Entreposage

Lorsque vous n'utilisez pas le cloueur, rangez-le dans un endroit chaud et sec.

Maintenance du compresseur, du dispositif d'air et du tuyau d'air. (Fig. 23 et 24)

Après l'utilisation, vidangez toujours le réservoir du compresseur et le filtre à air. Si de l'humidité pénètre dans l'outil, elle risque de causer un rendement médiocre, voire une panne de l'outil.

Vérifiez régulièrement qu'il y a suffisamment d'huile pour l'outil pneumatique dans le huileur du dispositif d'air. Les joints toriques s'useront rapidement en cas de lubrification insuffisante. (Fig. 25)

Gardez le tuyau d'air à l'écart de la chaleur (plus de 60°C ou 140°F) et des produits chimiques (diluants, acides puissants ou alcalis). Faites courir le tuyau à l'écart de tout obstacle sur lequel il risquerait dangereusement de se coincer pendant l'utilisation. Les tuyaux doivent également être placés à l'écart des bords tranchants et des zones susceptibles d'entraîner des dommages ou l'abrasion du tuyau. (Fig. 26)

Pour assurer la SÉCURITÉ et la FIABILITÉ du produit, toute réparation ou travail d'entretien ou de réglage doit être effectué(e) dans un Centre de service après-vente Makita agréé, avec des pièces de rechange Makita.

ACCESSOIRES

ATTENTION :

- Ces accessoires ou pièces complémentaires sont recommandés pour l'utilisation avec l'outil Makita spécifié dans ce manuel. L'utilisation de tout autre accessoire ou pièce complémentaire peut comporter un risque de blessure. Utilisez uniquement l'accessoire ou la pièce complémentaire dans le but spécifié.

Pour obtenir plus de détails sur ces accessoires, contactez votre Centre de service local Makita.

- Clous
- Tuyaux d'air
- Lunettes de sécurité

Bruit

ENG102-3

Les niveaux de bruit pondéré A typiques ont été mesurés selon la norme EN792 :

Niveau de pression sonore (L_{pA}) : 89 dB (A)

Niveau de puissance sonore (L_{WA}) : 102 dB (A)

Incertitude (K) : 3 dB (A)

Portez des protections auditives.

Vibrations

ENG233-2

La valeur d'émission des vibrations est déterminée selon la norme EN792 :

Émission des vibrations (a_h) : 3,5 m/s²

Incertitude (K) : 1,5 m/s²

Pour les pays d'Europe uniquement

ENH003-11

Déclaration de conformité CE

Nous, Makita Corporation, en tant que fabricant responsable, déclarons que les machines Makita suivantes :

Nom de la machine : Cloueur pneumatique à béton

N° de modèle/Type : AN250HC

sont fabriquées en série et

sont conformes aux directives européennes suivantes :

98/37/CE jusqu'au 28 décembre 2009 puis, à partir du 29 décembre 2009, à la 2006/42/CE

et sont produites conformément aux normes ou documents de normalisation suivants :

EN792

La documentation technique est disponible auprès de notre représentant en Europe qui est :

Makita International Europe Ltd.,

Michigan, Drive, Tongwell,

Milton Keynes, MK15 8JD, Angleterre

13 mars 2009



Tomoyasu Kato

Directeur

Makita Corporation

3-11-8, Sumiyoshi-cho,

Anjo, Aichi, JAPAN

DEUTSCH

Erklärung der Gesamtdarstellung

- | | | |
|---------------------------------------|-------------------------|--------------------------------|
| 1. Schutzbrille | 10. Haken | 20. dünnes Blech |
| 2. Gesichtsschutz | 11. Kontaktfuß | 21. Eindringtiefe in den Beton |
| 3. Kompressor-Luftleistung pro Minute | 12. Adapternase | 22. Kappe |
| 4. Nagelfrequenz | 13. Position VERRIEGELT | 23. Ablasshahn |
| 5. Einsteller | 14. Position FREI | 24. Luftfilter |
| 6. Zu tief | 15. Sperrhebel | 25. Öl |
| 7. Bündig | 16. Klappe | 26. Druckluftöl |
| 8. Zu flach | 17. Auswurfkanal | 27. Lösungsmittel |
| 9. Schraube | 18. Auslöser | 28. Heizplatten |
| | 19. Werkstück | |

TECHNISCHE ANGABEN

Modell	AN250HC
Luftdruck	1,18 - 2,26 MPa (11,8 - 22,6 bar)
Nagellänge	19 bis 25 mm in streifenmagazinierter Stiftpule
Max. Anzahl Nägel	100 St.
Min. Schlauchdurchmesser	5 mm
Abmessungen (L X B X H)	295 mm X 128 mm X 291 mm
Nettogewicht	2,1 kg

- Aufgrund unserer weiterführenden Forschungen und Entwicklungen sind Änderungen an den hier angegebenen Technischen Daten ohne Vorankündigung vorbehalten.
- Die Technischen Daten können in den einzelnen Ländern abweichen.
- Gewicht entsprechend der EPTA-Vorgehensweise 01/2003

Verwendungszweck

ENE072-1

Das Werkzeug wurde für das Sichern eines dünnen Blechs auf Beton entwickelt.

WICHTIGE SICHERHEITSREGELN

ENB115-1-1

WARNUNG: ZUR VERMEIDUNG VON VERLETZUNGEN SIND BEI DER BENUTZUNG DIESES WERKZEUGS DIE ALLGEMEINEN REGELN DES ARBEITSSCHUTZES UND INSBESONDERE DIE FOLGENDEN ANWEISUNGEN EINZUHALTEN:

LESEN SIE ALLE ANWEISUNGEN SORGFÄLTIG DURCH.

1. Um Ihre persönliche Sicherheit, sachgerechten Betrieb und ordnungsgemäße Wartung des Werkzeugs zu gewährleisten, lesen Sie vor der Benutzung des Werkzeugs diese Bedienungsanleitung vollständig durch.
2. Tragen Sie stets eine Schutzbrille, um Ihre Augen vor Staub und Verletzungen durch Nägel oder Stifte zu schützen.
WARNUNG:
Es ist Pflicht des Arbeitgebers, das Tragen von Schutzbrillen beim Bediener und allen anderen Personen im unmittelbaren Arbeitsbereich durchzusetzen.
3. Nur Australien und Neuseeland
Tragen Sie zum Schutz Ihrer Augen vor Verletzungen durch Staub, Schmutz oder Stifte stets eine Schutzbrille und einen Gesichtsschutz. Die

Schutzbrille und der Gesichtsschutz müssen die Anforderungen der Norm AS/NZS 1336 erfüllen.

WARNUNG:

Es ist Pflicht des Arbeitgebers, das Tragen von Schutzbrillen beim Bediener und allen anderen Personen im unmittelbaren Arbeitsbereich durchzusetzen. **(Abb. 1)**

4. Tragen Sie einen Gehörschutz, um Ihre Ohren vor dem Auslassgeräusch zu schützen, und tragen Sie darüber hinaus einen Kopfschutz. Tragen Sie auch leichte, aber keine weite Kleidung. Ärmel müssen zugeknöpft oder hochgerollt sein. Das Tragen einer Krawatte ist unzulässig.
5. Ein überhastetes Ausführen der Arbeit und der Gebrauch des Werkzeugs mit zu hohem Kraftaufwand sind gefährlich. Gehen Sie mit dem Werkzeug sorgfältig um. Benutzen Sie das Werkzeug nicht, wenn Sie unter Einfluss von Alkohol, Drogen oder dergleichen stehen.
6. Grundsätzliche Richtlinien zur Handhabung des Werkzeugs:
 - (1) Gehen Sie stets davon aus, dass sich Nägel im Werkzeug befinden.
 - (2) Richten Sie das Werkzeug niemals auf sich selbst oder andere Personen, auch dann nicht, wenn sich keine Nägel im Werkzeug befinden.
 - (3) Lösen Sie das Werkzeug erst dann aus, nachdem es fest auf das Werkstück aufgesetzt wurde.
 - (4) Sehen Sie das Werkzeug als Hilfsmittel für Ihre Arbeit an.
 - (5) Kein Unfug!
 - (6) Halten oder tragen Sie das Werkzeug nicht mit dem Finger am Auslöser.

- (7) Laden Sie das Werkzeug nicht mit Nägeln auf, wenn eines der Auslöseelemente aktiviert ist.
- (8) Betreiben Sie das Werkzeug ausschließlich mit einer in den Betriebs-/Sicherheitsanweisungen des Werkzeugs vorgegebenen Energiequelle.
7. Ein Werkzeug, das Defekte aufweist, darf nicht verwendet werden.
8. Bei der Benutzung des Werkzeugs kann es gelegentlich zu einem Funkenflug kommen. Benutzen Sie das Werkzeug nicht in der Nähe leicht flüchtiger, brennbarer Substanzen wie Benzin, Verdünnern, Lack, Gas, Klebstoff usw., weil sich diese Stoffe entzünden und explodieren können, wodurch es zu schweren Verletzungen kommen kann.
9. Der Arbeitsplatz muss ausreichend beleuchtet sein, um ein sicheres Arbeiten zu gewährleisten. Der Arbeitsplatz muss sauber und aufgeräumt sein. Achten Sie besonders auf festen Stand und auf Gleichgewicht.
10. In der Nähe sollten sich nur die mit der Ausführung der Arbeiten beschäftigten Personen aufhalten. Achten Sie besonders darauf, dass sich keine Kinder in der Nähe befinden.
11. Befolgen Sie etwaige örtliche Lärmschutzvorschriften, halten Sie insbesondere die vorgeschriebenen Grenzen für Geräuschpegel ein. In bestimmten Fällen sollte der Lärmpegel mit Hilfe von Jalousien gedämpft werden.
12. Gehen Sie mit dem Kontaktfuß sorgfältig um: Dieser Fuß verhindert ein versehentliches Auslösen. Daher muss er stets am Werkzeug verbleiben und darf nicht entfernt werden. Auch das Arretieren des Auslösers in Auslösestellung ist sehr gefährlich. Versuchen Sie niemals, den Auslöser zu arretieren. Benutzen Sie das Werkzeug nicht, wenn eines der Bedienelemente des Werkzeugs funktionsunfähig oder mangelhaft ist oder demontiert oder abgeändert wurde.
13. Betreiben Sie das Werkzeug ausschließlich innerhalb des vorgeschriebenen Luftdruckbereichs von 1,18 bis 2,26 MPa (11,8 bis 22,6 bar), um die Sicherheit und eine längere Lebensdauer des Werkzeugs zu gewährleisten. Ein Überschreiten des empfohlenen maximalen Betriebsdrucks von 2,26 MPa (22,6 bar) ist unzulässig. Das Anschließen des Werkzeugs an eine Druckluftquelle, die einen höheren Druck als 3,39 MPa (33,9 bar) erzeugen kann, ist verboten.
14. Stellen Sie sicher, dass der vom Druckluftsystem erzeugte Luftdruck nicht den maximal zulässigen Luftdruck des Naglers überschreitet. Stellen Sie den Luftdruck anfänglich auf die Untergrenze des zulässigen Drucks ein (siehe TECHNISCHE DATEN).
15. Betreiben Sie das Werkzeug ausschließlich mit Druckluft. Bei Verwendung von Flaschengas (Kohlendioxid, Sauerstoff, Stickstoff, Wasserstoff, Pressluft usw.) oder brennbarem Gas (Wasserstoff, Propan, Acetylen usw.) als Treibgas für dieses Werkzeug besteht die Gefahr, dass das Werkzeug explodiert und schwere Verletzungen verursacht.
16. Überprüfen Sie das Werkzeug vor der Benutzung stets auf seinen Allgemeinzustand und auf lockere Schrauben. Ziehen Sie ggf. lockere Schrauben fest.
17. Stellen Sie vor der Benutzung des Werkzeugs sicher, dass alle Sicherheitssysteme in funktionsfähigem Zustand sind. Das Werkzeug darf nicht auslösen, wenn nur der Auslöser betätigt oder nur der Kontaktausleger gegen das Werkstück gedrückt wird. Es darf nur dann auslösen, wenn beide Aktionen zusammen durchgeführt werden. Überprüfen Sie das Werkzeug mit leerem Magazin und voll angezogenem Drücker auf möglichen fehlerhaften Betrieb.
18. Vergewissern Sie sich, dass der Auslöser verriegelt ist, wenn sich der Verriegelungshebel in der Position VERRIEGELT befindet.
19. Überprüfen Sie Wände, Decken, Fußböden, Dächer und dergleichen sorgfältig auf möglicherweise dort verlegte Elektrokabel, Gasrohre oder sonstige Rohre und Leitungen, um elektrische Schläge, Gaslecks, Explosionen usw. zu vermeiden.
20. Verwenden Sie nur die in diesem Handbuch aufgeführten Stifte. Die Verwendung anderer Stifte kann eine Funktionsstörung des Werkzeugs verursachen.
21. Benutzen Sie Nagler mit der Aufschrift "Nicht auf Gerüsten, Leitern verwenden" niemals für bestimmte Arbeiten wie z. B.:
- Wenn für einen Umstieg zwischen den Positionen für das Einbringen eines Nagels Gerüste, Treppen, Leitern oder leiterähnliche Konstruktionen wie z. B. Dachlatten benötigt werden,
 - Verschließen von Kisten oder Verschlägen,
 - Anbringen von Transportsicherungen z. B. an Fahrzeugen oder Eisenbahnwagen.
22. Personen, die nicht entsprechend geschult sind, ist die Benutzung des Werkzeugs ausdrücklich zu untersagen.
23. Stellen Sie vor Beginn des Einschlagens von Stiften sicher, dass sich keine Personen in der Nähe befinden. Versuchen Sie niemals, Stifte gleichzeitig von innen und von außen einzuschlagen. Stifte können durchlagern und/oder herausfliegen und stellen dabei eine große Gefahr dar.
24. Achten Sie beim Arbeiten mit dem Werkzeug auf sicheren Stand und Gleichgewicht. Stellen Sie sicher, dass sich bei Arbeiten an hochgelegenen Arbeitsplätzen keine Personen unterhalb Ihres Standorts aufhalten, um Gefahren zu vermeiden, wenn der Luftschlauch plötzlich ruckt oder an Hindernissen hängen bleibt.
25. Bewegen Sie sich beim Einschlagen von Stiften auf Dächern und anderen hochgelegenen Orten in Vorwärtsrichtung. Wenn Sie sich rückwärts bewegen, können Sie leicht den Stand verlieren. Schlagen Sie bei Arbeiten an senkrechten Flächen die Stifte von oben nach unten ein. Das Einschlagen von Stiften auf diese Weise ist weniger ermüdend.
26. Wenn Sie versehentlich auf einen anderen Stift oder einen Knoten im Holz treffen, kann sich der Stift beim Einschlagen verbiegen oder im Werkzeug verklemmen. Der Stift kann herausgeschleudert werden und Personen treffen, oder das Werkzeug selbst kann sich gefährlich verhalten. Setzen Sie die Stifte mit Sorgfalt.
27. Belassen Sie ein mit Nägeln geladenes Werkzeug oder einen Kompressor nicht längere Zeit in der Sonne, wenn diese unter Druck stehen. Achten Sie darauf, dass am Ablageplatz des Werkzeugs keine Fremdkörper wie Staub, Sand, Späne oder sonstige Materialien in das Werkzeug eindringen.

28. Richten Sie die Auswurföffnung nicht auf Personen in der Nähe. Halten Sie Hände und Füße vom Bereich der Auswurföffnung fern.
29. Tragen Sie das Werkzeug bei angeschlossenem Luftschlauch nicht mit dem Finger am Auslöser, und übergeben Sie es in diesem Zustand auch nicht an andere Personen. Ein versehentliches Auslösen kann äußerst gefährlich sein.
30. Gehen Sie mit dem Werkzeug sorgfältig um. Das Werkzeug steht unter hohem Druck, sodass ein durch grobe Behandlung (Fallenlassen oder Anstoßen) verursachter Riss eine hohe Gefahr darstellt. Bringen Sie niemals Einritzungen oder Gravuren in das Werkzeug ein.
31. Brechen Sie den Betrieb sofort ab, wenn Sie einen Defekt oder etwas Ungewöhnliches am Werkzeug feststellen.
32. Trennen Sie unter folgenden Gegebenheiten stets den Luftschlauch ab, und entfernen Sie alle Stifte aus dem Werkzeug:
 1. Wenn das Werkzeug unbeaufsichtigt ist.
 2. Bevor Sie Wartungs- oder Reparaturarbeiten durchführen.
 3. Bevor Sie einen Nagelstau beseitigen.
 4. Bevor Sie das Werkzeug an einen anderen Ort transportieren.
33. Nehmen Sie unmittelbar nach Abschluss der Arbeiten eine Reinigung und Wartung vor. Halten Sie das Werkzeug stets in einwandfreiem Zustand. Schmieren Sie bewegliche Teile, um Rostbildung zu verhindern und Reibungsverschleiß zu minimieren. Säubern Sie alle Teile von Staub.
34. Wenn Sie das Werkzeug nicht benutzen, verriegeln Sie stets den Auslöser, indem Sie den Verriegelungshebel auf die Position VERRIEGELT drehen.
35. Nehmen Sie keine Veränderungen am Werkzeug vor, die nicht von Makita genehmigt wurden.
36. Lassen Sie das Werkzeug regelmäßig von autorisierten Makita-Servicecentern überprüfen.
37. Um die SICHERHEIT und die ZUVERLÄSSIGKEIT des Produkts zu gewährleisten, sollten Reparatur- und Wartungsarbeiten ausschließlich von autorisierten Makita-Servicecentern durchgeführt werden, und es sollten ausschließlich Original-Ersatzteile von Makita verwendet werden.
38. Verwenden Sie ausschließlich das in dieser Anleitung vorgegebene Druckluftwerkzeug-Öl.
39. Schließen Sie das Werkzeug niemals an eine Druckluftleitung an, bei welcher der maximal zulässige Luftdruck des Werkzeugs um 10 % überschritten werden kann. Stellen Sie sicher, dass der vom Druckluftsystem erzeugte Luftdruck nicht den maximal zulässigen Luftdruck des Naglers überschreitet. Stellen Sie den Luftdruck anfänglich auf den niedrigeren Wert des empfohlenen zulässigen Drucks ein.
40. Versuchen Sie niemals, das Kontaktelement des Auslösers mittels Klebeband, Draht o.ä. dauerhaft in gedrückter Stellung zu fixieren. Dies kann zu schweren oder gar tödlichen Verletzungen führen.
 - Überprüfen Sie stets den Kontaktfuß entsprechend der Vorgaben in diesem Handbuch. Wenn der Sicherheitsmechanismus nicht ordnungsgemäß

funktioniert, können unbeabsichtigt Stifte aus dem Werkzeug geschossen werden.

BEWAHREN SIE DIESE ANLEITUNG SORGFÄLTIG AUF.

INSTALLATION

Auswählen des Kompressors (Abb. 2)

Der Kompressor muss den Anforderungen von EN60335-2-34 entsprechen.

Wählen Sie einen Kompressor mit ausreichender Luftdruck- und Luftmengenleistung, um einen wirtschaftlichen Betrieb zu gewährleisten. Im Diagramm ist die Beziehung zwischen Einschlagfrequenz bei entsprechendem Luftdruck und entsprechender Kompressor-Luftleistung dargestellt.

Wenn das Einschlagen z. B. mit einer Rate von ca. 15 Auslösungen pro Minute bei einem Druck von 1,76 MPa (17,6 bar) erfolgen soll, wird ein Kompressor mit einer Luftmengenleistung von über 70 Litern pro Minute benötigt.

Wenn der Druck der Druckluftquelle den Nenndruck des Werkzeugs überschreitet, muss der Luftdruck mit Hilfe eines Luftdruckreglers auf den Nenndruck des Werkzeugs begrenzt werden. Eine Missachtung dieses Punkts kann zu schweren Verletzungen des Bedieners oder von sich in der Nähe befindenden Personen führen.

Auswahl des Luftschlauchs (Abb. 3)

Verwenden Sie einen Hochdruck-Luftschlauch.

Verwenden Sie einen möglichst dicken und kurzen Luftschlauch, um einen unterbrechungsfreien und wirkungsvollen Einschlagvorgang zu gewährleisten.

ACHTUNG:

- Eine zu geringe Luftleistung des Kompressors oder ein Luftschlauch mit einer zu großen Länge oder einem zu kleinen Durchmesser in Bezug auf die Einschlagfrequenz kann zu einem Absinken der Eintreibkraft des Werkzeugs führen.

Schmierung (Abb. 4)

Um eine maximale Leistung zu gewährleisten, sollte die Druckluftarmatur (Öler, Regler, Luftfilter) möglichst nahe am Werkzeug installiert werden. Stellen Sie den Öler so ein, dass er einen Tropfen Öl für jeweils 30 Stifte abgibt.

(Abb. 5)

Wenn keine Druckluftarmatur verwendet wird, ölen Sie das Werkzeug mit Druckluftwerkzeug-Öl, indem Sie 2 bis 3 Tropfen in den Druckluftanschluss geben. Dies sollte vor und nach dem Gebrauch erfolgen. Um eine ordnungsgemäße Schmierung zu erreichen, muss das Werkzeug nach dem Einbringen des Druckluftwerkzeug-Öls mehrere Male ausgelöst werden.

FUNKTIONSBESCHREIBUNG

ACHTUNG:

- Trennen Sie stets den Schlauch ab, bevor Sie die Funktion des Werkzeugs einstellen oder überprüfen.

Einstellen der Einschlagtiefe

ACHTUNG:

- Trennen Sie stets den Schlauch ab, bevor Sie die Einschlagtiefe anpassen. **(Abb. 6 und 7)**

Wenn die Stifte zu tief eingetrieben werden, drehen Sie den Einsteller im Uhrzeigersinn. Werden die Stifte zu flach eingetrieben, drehen Sie den Einsteller gegen den Uhrzeigersinn.

Der Einstellbereich beträgt 10 mm. (Eine volle Drehung ergibt eine Einstellung um 0,8 mm.)

Haken

ACHTUNG:

- Trennen Sie stets den Schlauch ab, wenn Sie das Werkzeug am Einhängclip aufhängen.
- Hängen Sie das Werkzeug nie an einen Hüftgürtel o.ä. Es kann zu einem gefährlichen, versehentlichen Auslösen kommen. **(Abb. 8)**

Der Haken ist nützlich, wenn Sie das Werkzeug kurzzeitig aufhängen möchten. Die Befestigung kann an jeder Seite des Werkzeugs erfolgen.

Um die Befestigungsposition zu ändern, lösen Sie die Schraube mit einem Schraubendreher. Bringen Sie den Einhängclip auf der anderen Seite an, und sichern Sie ihn mit der Schraube.

Bringen Sie den Einhängclip auf der anderen Seite an, und sichern Sie ihn mit der Schraube.

Verwendung des Nasenadapters

ACHTUNG:

- Trennen Sie stets den Schlauch ab, bevor Sie den Nasenadapter anbringen oder entfernen. **(Abb. 9)**
- Bringen Sie den Nasenadapter des Kontaktfußes an, wenn Sie vermeiden möchten, dass sich die Einschlagpunkte durch Verrutschen auf dem Werkstück verschieben.

Verwenden Sie üblicherweise einen der zwei Nasenadapter A (transparent); einer ist werkseitig auf dem Kontaktfuß befestigt und der andere wird unter dem Griff aufbewahrt.

Verwenden Sie beim Arbeiten auf engen Teilbahnen einen der zwei Nasenadapter B (schwarz), die Sie im Werkzeugkarton finden.

Zum Befestigen des Nasenadapters am Kontaktfuß drücken Sie den Adapter so weit wie möglich auf den Kontaktfuß.

Verriegeln des Auslösers

Dieser Nagler ist mit einem Mechanismus zum Sperren des Auslösens ausgestattet, um Verletzungen und Beschädigungen aufgrund unzureichender Handhabung neben dem Einschlagen zu vermeiden. **(Abb. 10)**

Stellen Sie den Umschalthebel auf die Position VERRIEGELT, um den Auslöser zu verriegeln. **(Abb. 11)**

Stellen Sie vor dem Einschlagen von Stiften den Umschalthebel auf die Position FREI. Werden keine Stifte eingeschlagen, stellen Sie den Umschalthebel auf jeden Fall auf die Position VERRIEGELT und trennen Sie den Luftschlauch ab.

MONTAGE

ACHTUNG:

- Trennen Sie stets den Luftschlauch ab, bevor Sie das Werkzeug laden.

Laden des Naglers (Abb. 12)

Trennen Sie den Luftschlauch vom Werkzeug. Wählen Sie die für die auszuführenden Arbeiten geeigneten Stifte aus. Drücken Sie den Verriegelungshebel nach unten und öffnen Sie die Magazinkappe. **(Abb. 13)**

Legen Sie die Stiftspule in das Magazin ein. Spulen Sie genügend Stifte ab, um die Stifführung zu erreichen. Legen Sie den ersten Stift in den Beschicker und den zweiten in den Beschickungsgreifer. Legen Sie die anderen, nicht abgespulten Stifte in das Beschickergehäuse. Schließen Sie die Magazinkappe langsam, bis sie einrastet, wobei die Nagelspule richtig im Magazin sitzen muss.

Anschließen des Druckluftschlauchs

Schieben Sie die Anschlussmuffe des Luftschlauchs auf den Anschlussnippel des Naglers. Vergewissern Sie sich, dass die Anschlussmuffe einrastet, nachdem sie auf den Anschlussnippel geschoben wurde.

BETRIEB

ACHTUNG:

- Vergewissern Sie sich, dass der Umschalthebel in der Position VERRIEGELT ist, um unerwartete Fehlauswürfe zu vermeiden, wenn das Werkzeug nicht verwendet wird.
- Stellen Sie vor der Benutzung des Werkzeugs sicher, dass alle Sicherheitssysteme in funktionsfähigem Zustand sind. **(Abb. 14)**

Beim Ziehen am Auslöser, ohne dass der Kontaktfuß das Werkstück berührt, darf das Werkzeug keinen Stift auswerfen. **(Abb. 15)**

Berührt der Kontaktfuß das Werkstück, ohne dass Sie am Auslöser ziehen, darf das Werkzeug keinen Stift auswerfen. **(Abb. 16)**

Dieser Nagler eignet sich nur für absatzweises Nageln. Beim absatzweisen Nageln wird Stift um Stift anhand der folgenden Schritte eingeschlagen.

1. Stellen Sie den Umschalthebel auf die Position FREI.
2. Drücken Sie den Kontaktfuß auf das Werkstück.
3. Und betätigen Sie anschließend den Auslöser.

Einschlagen von Stiften in Beton

WARNING:

- Verwenden Sie für Beton ausschließlich gehärtete Stifte. Die Verwendung anderer als der für den Zweck vorgesehenen Stifte kann zu schweren Verletzungen führen. Schlagen Sie den Stift nicht direkt auf dem Beton ein. Eine Missachtung dieses Punkts kann zum Abspringen von Betonfragmenten, Zurückschlagen von Stiften und schweren Verletzungen führen.
- Halten Sie beim Einschlagen von Stiften das Werkzeug so, dass es senkrecht zur Werkstückoberfläche steht. Beim Einschlagen in Schräglage kann es zum Abspringen von Betonfragmenten, Zurückschlagen von Stiften und schweren Verletzungen kommen.

- Benutzen Sie das Werkzeug nicht für Oberflächen, an denen Objekte hängen, wie z.B. in Bereichen mit Aufhängern für Abwasserleitungen, Staubrohre usw. Verwenden Sie solche Stifte, dass die Eindringtiefe in den Beton zwischen 15 und 20 mm liegt. **(Abb. 17)**

ACHTUNG:

- Benutzen Sie dieses Werkzeug nur für weichen Beton, der noch nicht allzu lange liegt. Die Verwendung auf hartem Beton kann dazu führen, dass sich Stifte verbiegen oder nicht tief genug eindringen.
- Wenn eine Eindringtiefe in den Beton mehr als 20 mm notwendig ist, kann eine ausreichende Tiefe mit diesem Werkzeug möglicherweise nicht erreicht werden. Stifte werden möglicherweise zu flach eingeschlagen, was zu einem instabilen Werkstück und Verletzungen oder Beschädigungen führt.

Abschneiden des Streifens

ACHTUNG:

- Trennen Sie stets den Schlauch ab, bevor Sie den Streifen abschneiden. **(Abb. 18)**

Reißen Sie bei Verwendung streifenmagazinierter Stifte den Ausgabestreifen in Richtung des Pfeils ab.

WARTUNG

ACHTUNG:

- Trennen Sie stets den Luftschlauch vom Werkzeug ab, bevor Sie eine Inspektion oder Wartung durchführen.

Blockierter Nagler

ACHTUNG:

- Trennen Sie stets den Luftschlauch ab, und entfernen Sie alle Stifte aus dem Magazin, bevor Sie eine Blockierung beseitigen. **(Abb. 19 und 20)**

Gehen Sie bei einer Blockierung des Naglers folgendermaßen vor:

Öffnen Sie die Magazinkappe und entnehmen Sie die Stiftspule. Führen Sie einen dünnen Stab oder dergleichen in die Auswurföffnung ein, und klopfen Sie mit einem Hammer an den Stab, um den verklemmten Stift aus der Auswurföffnung zu treiben. Legen Sie die Stiftspule wieder ein, und schließen Sie die Magazinkappe.

Entlüften des Werkzeugs (Abb. 21)

Entfernen Sie den Schlauch vom Werkzeug. Halten Sie das Werkzeug mit dem Druckluftanschluss nach unten. Lassen Sie möglichst alle im Werkzeug vorhandene Luft heraus.

Reinigen des Werkzeugs

Entfernen Sie am Werkzeug anhaftenden Staub mit Hilfe einer Druckluftdüse.

Kappe (Abb. 22)

Trennen Sie den Schlauch ab, wenn das Werkzeug nicht verwendet wird. Setzen Sie anschließend eine Kappe auf den Druckluftanschluss auf.

Aufbewahrung

Lagern Sie das Werkzeug an einem warmen und trockenen Platz, wenn Sie es nicht verwenden.

Wartung von Kompressor, Druckluftarmatur und Luftschlauch **(Abb. 23 und 24)**

Nach jedem Betrieb muss die Druckluft aus dem Druckluftbehälter und dem Luftfilter des Kompressors abgelassen werden. In das Werkzeug eindringende Feuchtigkeit kann eine Verschlechterung der Leistung und ein mögliches Versagen des Werkzeugs verursachen.

Prüfen Sie regelmäßig, ob im Öl der Druckluftarmatur genügend Druckluftöl vorhanden ist. Eine Vernachlässigung der Schmierung führt zu schnellem Verschleiß der O-Ringe. **(Abb. 25)**

Halten Sie den Druckluftschlauch von Wärmequellen (über 60°C, über 140°F) und Chemikalien (Verdüner, starken Säuren oder Laugen) fern. Verlegen Sie den Schlauch so, dass sich der Schlauch nicht an Hindernissen verfangen kann. Wenn dies während des Betriebs geschieht, kann es zu gefährlichen Situationen kommen. Der Schlauch darf auch nicht mit scharfen Kanten oder Gegenständen in Berührung kommen, die Beschädigungen oder Abrieb am Schlauch verursachen können. **(Abb. 26)**

Um die SICHERHEIT und die ZUVERLÄSSIGKEIT des Produkts zu gewährleisten, sollten Reparaturen, Wartungsarbeiten und Einstellungen nur durch von Makita autorisierte Servicecenter durchgeführt und ausschließlich Makita-Ersatzteile verwendet werden.

ZUBEHÖR

ACHTUNG:

- Für das in diesem Handbuch beschriebene Makita-Werkzeug werden folgende Zubehör- und Zusatzteile empfohlen. Die Verwendung anderer Zubehör- und Zusatzteile kann zu Personenschäden führen. Verwenden Sie Zubehör- und Zusatzteile nur für den vorgesehenen Zweck.

Informationen zu diesem Zubehör erhalten Sie bei einem Makita-Servicecenter in Ihrer Nähe.

- Stifte
- Druckluftschläuche
- Schutzbrillen

Schallpegel

ENG102-3

Typischer A-bewerteter Schallpegel nach EN792:

Schalldruckpegel (L_{pA}): 89 dB (A)

Schalleistungspegel (L_{WA}): 102 dB (A)

Abweichung (K): 3 dB (A)

Tragen Sie Gehörschutz.

Schwingung

ENG233-2

Die Schwingungsbelastung wird gemäß EN792 bestimmt:

Schwingungsbelastung (a_h): 3,5 m/s²

Abweichung (K): 1,5 m/s²

Nur für europäische Länder

ENH003-11

EG-Konformitätserklärung

Wir, Makita Corporation als verantwortlicher Hersteller, erklären, dass die folgenden Geräte der Marke Makita:

Bezeichnung des Geräts: Hochdruck-Betonagler
 Nummer / Typ des Modells: AN250HC
 in Serienfertigung hergestellt werden und

**den folgenden Richtlinien der Europäischen Union
genügen:**

98/37/EC bis 28. Dezember 2009 und 2006/42/EC ab
dem 29. Dezember 2009

Außerdem werden die Geräte gemäß den folgenden
Standards oder Normen gefertigt:

EN792

Die technische Dokumentation erfolgt durch unseren
Bevollmächtigten in Europa:

Makita International Europe Ltd.,
Michigan, Drive, Tongwell,
Milton Keynes, MK15 8JD, England

13. März 2009



Tomoyasu Kato
Direktor

Makita Corporation
3-11-8, Sumiyoshi-cho,
Anjo, Aichi, JAPAN

Spiegazione della vista generale

- | | | |
|--------------------------------------|--------------------------------------|--|
| 1. Occhiali di protezione | 11. Elemento di contatto | 21. Quantità di penetrazione nel cemento |
| 2. Visiera protettiva | 12. Adattatore esterno | 22. Coperchio |
| 3. Uscita aria compressore al minuto | 13. Posizione LOCK | 23. Rubinetto di scarico |
| 4. Frequenza di chiodatura | 14. Posizione FREE | 24. Filtro aria |
| 5. Regolatore | 15. Leva del dispositivo di chiusura | 25. Oliatore |
| 6. Troppo in profondità | 16. Sportello | 26. Olio pneumatico |
| 7. A filo | 17. Canale di punta | 27. Solventi |
| 8. Troppo in superficie | 18. Grilletto | 28. Fornello |
| 9. Vite | 19. Pezzo in lavorazione | |
| 10. Gancio | 20. Lastra di acciaio sottile | |

CARATTERISTICHE TECNICHE

Modello	AN250HC
Pressione aria	1,18 - 2,26 MPa (11,8 - 22,6 bar)
Lunghezza chiodi	19 mm - 25 mm Chiodi in bobine raccolti in lastre
Capacità chiodi	100 pz.
Diametro minimo tubo	5 mm
Dimensioni (L X P X A)	295 mm X 128 mm X 291 mm
Peso netto	2,1 kg

- Le caratteristiche tecniche riportate di seguito sono soggette a modifiche senza preavviso in virtù del nostro programma continuo di ricerca e sviluppo.
- Le caratteristiche tecniche possono differire da paese a paese.
- Peso determinato in conformità con la EPTA-Procedure 01/2003

Uso previsto

ENE072-1

L'utensile è progettato per fissare una lastra di acciaio sottile al cemento.

ISTRUZIONI IMPORTANTI PER LA SICUREZZA

ENB115-1

AVVERTENZA: PER RIDURRE IL RISCHIO DI LESIONI PERSONALI, QUANDO SI UTILIZZA QUESTO UTENSILE È NECESSARIO OSSERVARE SEMPRE LE PRECAUZIONI DI BASE PER LA SICUREZZA, COMPRESSE LE PRECAUZIONI SEGUENTI:

LEGGERE TUTTE LE ISTRUZIONI.

1. Per la propria sicurezza personale e per il funzionamento e la manutenzione corretti dell'utensile, leggere questo manuale di istruzioni prima di utilizzarlo.

2. Portare sempre gli occhiali di protezione per proteggere gli occhi dalla polvere o dai chiodi.

AVVERTENZA:

È responsabilità del datore di lavoro di obbligare gli operatori dell'utensile e le persone nelle immediate vicinanze a portare occhiali di protezione.

3. Solo per l'Australia e la Nuova Zelanda Portare sempre gli occhiali di protezione e la visiera per proteggere gli occhi dalla polvere o dai chiodi. Gli occhiali di protezione e la visiera devono essere conformi ai requisiti della legge AS/NZS 1336.

AVVERTENZA:

È responsabilità del datore di lavoro di obbligare gli operatori dell'utensile e le persone nelle immediate vicinanze a portare occhiali di protezione. **(Fig. 1)**

4. Indossare paraorecchi per proteggere le orecchie dal rumore di scarico. Indossare anche un casco. Indossare sempre abiti leggeri e aderenti. Le maniche devono essere abbottonate o rimboccate. Non indossare la cravatta.
5. È pericoloso lavorare con molta fretta o mettere l'utensile sotto sforzo. Maneggiare l'utensile con attenzione. Non usarlo sotto l'influenza di alcol, droghe e sostanze simili.
6. Principi generali per l'uso sicuro dell'utensile:
 - (1) Presupporre sempre che l'utensile contenga i chiodi.
 - (2) Non puntare l'utensile su di sé o sugli altri, che contenga o meno i chiodi.
 - (3) Non attivare l'utensile se non appoggiato saldamente al pezzo.
 - (4) Utilizzare l'utensile come uno strumento di lavoro.
 - (5) Non giocare con l'utensile.
 - (6) Non tenere o trasportare l'utensile con un dito sul grilletto.
 - (7) Non caricare i chiodi nell'utensile quando uno qualsiasi dei controlli di funzionamento è attivato.
 - (8) Non far funzionare l'utensile con una fonte di alimentazione diversa da quella specificata nelle istruzioni per l'uso/sicurezza.
7. Non utilizzare l'utensile se non funziona correttamente.

8. Quando si usa l'utensile, a volte potrebbero volare delle scintille. Non usare l'utensile vicino a sostanze volatili e infiammabili, quali benzina, solventi, vernici, gas, adesivi, ecc., perché possono accendersi ed esplodere causando lesioni gravi.
9. L'area di lavoro deve essere sufficientemente illuminata per garantire un funzionamento sicuro. L'area di lavoro deve essere pulita e senza rifiuti. Prestare particolare attenzione a mantenere un buon equilibrio e i piedi appoggiati correttamente.
10. Solo gli addetti ai lavori possono avvicinarsi all'area in cui viene utilizzato l'utensile. I bambini devono sempre essere tenuti lontano.
11. Potrebbero esistere delle norme locali sui rumori che vanno rispettate mantenendo il livello del rumore entro i limiti prescritti. In alcuni casi, usare dei ripari per limitare il rumore.
12. Non giocare con l'elemento di contatto: impedisce la scarica accidentale, per cui va mantenuto in posizione e non deve essere rimosso. Anche fissare il grilletto nella posizione ON è molto pericoloso. Non fissare mai il grilletto. Non usare l'utensile se una parte qualsiasi dei suoi controlli non può essere usata, è staccata, modificata o non funziona correttamente.
13. Per la sicurezza e la lunga vita dell'utensile, farlo funzionare con la pressione d'aria specificata compresa tra 1,18 - 2,26 MPa (11,8 - 22,6 bar). Non superare la pressione massima raccomandata di 2,26 MPa (22,6 bar). L'utensile non deve essere collegato a una fonte la cui pressione possa superare 3,39 MPa (33,9 bar).
14. Accertarsi che la pressione fornita al sistema d'aria compressa non superi la pressione massima consentita per la chiodatrice. Regolare inizialmente la pressione dell'aria sul valore più basso della pressione consentita consigliata (vedere le CARATTERISTICHE TECNICHE).
15. L'utensile deve essere usato esclusivamente con aria compressa. Se come fonte di alimentazione dell'utensile si usa una bomboletta di gas (biossido di carbonio, ossigeno, azoto, idrogeno, aria, ecc.) o un gas combustibile (idrogeno, propano, acetilene, ecc.), l'utensile potrebbe esplodere causando lesioni serie.
16. Prima dell'uso, controllare sempre le condizioni generali dell'utensile e l'eventuale presenza di viti allentate. Serrarle, se necessario.
17. Accertarsi che tutti i sistemi di sicurezza funzionino correttamente prima dell'uso. L'utensile non deve funzionare se si schiaccia soltanto il grilletto o si preme soltanto il braccio di contatto contro il legno. Esso deve funzionare soltanto quando si eseguono entrambe queste operazioni. Per verificare un eventuale funzionamento anomalo, fare una prova senza i chiodi e con l'elemento di spinta completamente tirato.
18. Accertarsi che il grilletto sia bloccato quando la levetta di blocco viene posizionata su LOCK.
19. Controllare con cura le pareti, i soffitti, i pavimenti e i tetti per evitare potenziali scosse elettriche, perdite di gas, esplosioni, ecc., causate dall'aver colpito fili elettrici sotto tensione, tubazioni o tubi del gas.
20. Utilizzare soltanto i chiodi specificati in questo manuale. L'utilizzo di qualsiasi altro tipo di chiodi potrebbe causare il malfunzionamento dell'utensile.
21. Non si devono mai usare chiodatrici marcate con il simbolo "Non usare su impalcature, scale a pioli" per applicazioni specifiche, per esempio:
 - se il cambiamento del posto di chiodatura richiede l'utilizzo di impalcature, scale a pioli, montacarichi o altri materiali di costruzione, per esempio travi di legno;
 - per chiudere scatole o casse di legno;
 - sistemi di sicurezza per il trasporto, per es., su veicoli o vagoni.
22. Non fare usare l'utensile da chi non lo sa usare.
23. Prima di sparare i chiodi, accertarsi che non vi sia nessuno vicino. Non cercare di applicare i chiodi allo stesso tempo da entrambi i lati, interno e esterno. I chiodi potrebbero trapassare e/o volare via, con grave pericolo.
24. Quando si utilizza l'utensile, prestare estrema attenzione alla posizione dei piedi, cercando di mantenere sempre l'equilibrio. Quando si lavora in luoghi alti, accertarsi che sotto non vi sia nessuno e fissare il tubo dell'aria per evitare eventuali pericoli nel caso venga spostato all'improvviso o rimanga impigliato.
25. Sui tetti ed altri luoghi alti, sparare i chiodi spostandosi in avanti. È facile perdere l'appoggio dei piedi se si esegue la chiodatura con il peso spostato all'indietro. Per eseguire la chiodatura su una superficie perpendicolare, procedere dall'alto verso il basso. In questo modo le operazioni di chiodatura sono meno faticose.
26. Un chiodo potrebbe storcersi o l'utensile incepparsi se si inchioda per sbaglio su un altro chiodo o su un nodo del legno. Il chiodo potrebbe venire scagliato e colpire qualcuno, o l'utensile stesso potrebbe reagire pericolosamente. Posizionare i chiodi con cura.
27. Non lasciare l'utensile carico o il compressore d'aria sotto pressione per un lungo periodo di tempo al sole. Fare attenzione che polvere, sabbia, trucioli o altre sostanze estranee non entrino nell'utensile nel luogo in cui viene lasciato.
28. Non puntare il foro di espulsione su qualcuno vicino. Tenere le mani e i piedi lontani dall'area del foro di espulsione.
29. Quando si collega il tubo dell'aria, non trasportare l'utensile con il dito sul grilletto o passarlo a qualcuno in questa condizione. L'espulsione accidentale dei chiodi può essere estremamente pericolosa.
30. Maneggiare l'utensile con attenzione perché all'interno è presente un'alta pressione che può essere pericolosa se si causa una crepa maneggiandolo in modo errato (facendolo cadere o se subisce un colpo). Fare attenzione a non intagliare o incidere l'utensile.
31. Arrestare immediatamente la chiodatura nel caso in cui l'operatore noti nell'utensile qualcosa di errato o fuori dall'ordinario.
32. Staccare sempre il tubo dell'aria e rimuovere tutti i chiodi:
 1. Se l'utensile viene lasciato incustodito.
 2. Prima di eseguire un qualsiasi intervento di manutenzione o di riparazione.
 3. Prima di correggere un inceppamento.
 4. Prima di portare l'utensile in un altro luogo.

33. Eseguire la pulizia e la manutenzione subito dopo la fine del lavoro. Mantenere l'utensile in ottime condizioni. Lubrificare le parti mobili per evitare che arrugginiscono e minimizzare l'usura causata dagli attriti. Togliere tutta la polvere dalle parti.
34. Quando non si usa l'utensile, bloccare sempre il grilletto ruotando la levetta di blocco sulla posizione LOCK.
35. Non modificare l'utensile senza l'autorizzazione di Makita.
36. Richiedere l'ispezione periodica dell'utensile presso un centro di assistenza Makita autorizzato.
37. Per mantenere la SICUREZZA e l'AFFIDABILITÀ del prodotto, le riparazioni e qualsiasi altra operazione di manutenzione devono essere eseguiti dai centri di assistenza autorizzati Makita utilizzando sempre parti di ricambio Makita.
38. Usare soltanto l'olio pneumatico specificato in questo manuale.
39. Non collegare mai l'utensile a una linea d'aria compressa in cui la pressione massima consentita per l'utensile non possa essere superata del 10 %. Accertarsi che la pressione fornita al sistema d'aria compressa non superi la pressione massima consentita per la chiodatrice. Regolare inizialmente la pressione dell'aria sul valore più basso della pressione consentita consigliata.
40. Non tenere l'elemento di contatto del grilletto premuto con nastro o fili. Ciò potrebbe provocare morte o lesioni gravi.
 - Controllare sempre l'elemento di contatto seguendo le istruzioni del presente manuale. I chiodi potrebbero essere sparati accidentalmente se il meccanismo di sicurezza non funziona correttamente.

CONSERVARE QUESTE ISTRUZIONI.

INSTALLAZIONE

Selezione del compressore (Fig. 2)

Il compressore d'aria deve essere conforme ai requisiti di EN60335-2-34.

Per un funzionamento efficiente, selezionare un compressore con una pressione e un'uscita dell'aria ampie. Il grafico mostra il rapporto tra la frequenza di chiodatura, la pressione applicabile e l'uscita d'aria del compressore.

Perciò, se ad esempio la chiodatura avviene a una velocità di circa 15 volte al minuto a una compressione di 1,76 MPa (17,6 bar), è necessario un compressore con un'uscita dell'aria di oltre 70 litri/minuto.

Per limitare la pressione dell'aria alla pressione nominale dell'utensile se la pressione di alimentazione dell'aria supera la pressione nominale, è necessario usare regolatori di pressione. In caso contrario, sussiste il pericolo di lesioni serie per l'operatore e per chi è vicino.

Selezione del tubo dell'aria (Fig. 3)

Utilizzare un tubo dell'aria resistente all'alta pressione.

Per garantire un'operazione di chiodatura efficiente e continua, utilizzare un tubo dell'aria quanto più grande e corto possibile.

ATTENZIONE:

- Una bassa uscita dell'aria del compressore o un tubo dell'aria lungo o con un diametro interno più piccolo in rapporto alla frequenza di chiodatura potrebbe causare una diminuzione delle capacità dell'utensile.

Lubrificazione (Fig. 4)

Per garantire le massime prestazioni, installare un gruppo aria (oliatore, regolatore, filtro aria) quanto più vicino possibile all'utensile. Regolare l'oliatore in modo che venga fornita una goccia d'olio ogni 30 chiodi. (Fig. 5) Se non si usa un gruppo aria, oliare l'utensile con l'olio pneumatico mettendo due o tre gocce nell'elemento dell'aria. Questo va fatto prima e dopo l'uso. Per la lubrificazione corretta, l'utensile deve essere usato un paio di volte dopo l'introduzione dell'olio pneumatico.

DESCRIZIONE FUNZIONALE

ATTENZIONE:

- Staccare sempre il tubo dell'aria prima di regolare o controllare le funzioni dell'utensile.

Regolazione della profondità di chiodatura

ATTENZIONE:

- Staccare sempre il tubo prima di regolare la profondità di chiodatura. (Fig. 6 e 7)

Se un chiodo viene inserito troppo in profondità, ruotare il regolatore in senso orario. Se un chiodo viene inserito troppo in superficie, ruotare il regolatore in senso antiorario.

L'intervallo di regolazione è 10 mm (un giro completo permette una regolazione di 0,8 mm).

Gancio

ATTENZIONE:

- Staccare sempre il tubo quando si appende l'utensile utilizzando il gancio.
- Non appendere l'utensile alla cintura o simili. Si potrebbe verificare un'espulsione accidentale dei chiodi pericolosa. (Fig. 8)

Il gancio è utile per appendere temporaneamente l'utensile. Il gancio può essere installato su entrambi i lati dell'utensile.

Quando si modifica la posizione dell'installazione, rimuovere la vite con un cacciavite. Installare il gancio sull'altro lato, quindi fissarlo con la vite.

Installare il gancio sull'altro lato, quindi fissarlo con la vite.

Utilizzo dell'adattatore del becco

ATTENZIONE:

- Staccare sempre il tubo prima di installare o rimuovere l'adattatore del becco. (Fig. 9)

Se si desidera evitare lo spostamento dei punti di chiodatura a causa dello scivolamento sul pezzo in lavorazione, installare l'adattatore del becco dell'elemento di contatto.

Solitamente viene utilizzato il becco A (trasparente) dell'adattatore a due becchi, uno installato in fabbrica sull'elemento di contatto e l'altro riposto sotto l'impugnatura.

Quando si lavora su piste divisorie strette, utilizzare il becco B (nero) dell'adattatore a due becchi che sono contenuti nella confezione di cartone dell'utensile. Per installare l'adattatore del becco all'elemento di contatto, premerlo completamente sull'elemento di contatto.

Blocco del grilletto

La chiodatrice è dotata del meccanismo per il blocco del grilletto che permette di evitare lesioni personali e danni alle proprietà causati da un funzionamento improprio diverso dall'operazione di chiodatura. (Fig. 10) Impostare la leva di selezione della modalità sulla posizione LOCK per bloccare il grilletto. (Fig. 11) Prima di sparare chiodi, impostare la leva di selezione della modalità sulla posizione FREE. Quando NON si sparano chiodi, assicurarsi di impostare la leva di selezione della modalità sulla posizione LOCK e di staccare il tubo dell'aria.

MONTAGGIO

ATTENZIONE:

- Staccare sempre il tubo dell'aria prima di caricare la chiodatrice.

Caricamento della chiodatrice (Fig. 12)

Staccare il tubo dell'aria dall'utensile. Selezionare i chiodi adatti al lavoro. Abbassare la leva del dispositivo di chiusura e aprire sia lo sportello che il coperchio della chiodatrice. (Fig. 13)

Posizionare la bobina chiodi nello scomparto. Srotolare chiodi sufficienti per raggiungere la guida dei chiodi. Posizionare il primo chiodo nell'alimentatore e il secondo nell'avanzamento pinze. Collocare gli altri chiodi srotolati nel corpo dell'alimentatore. Chiudere lentamente il coperchio della chiodatrice fino a quando si blocca in posizione dopo aver controllato che le bobine chiodi siano correttamente impostate nella chiodatrice.

Collegamento del tubo dell'aria

Inserire la presa d'aria del tubo dell'aria sull'elemento dell'aria della chiodatrice. Accertarsi che la presa d'aria sia fissata saldamente in posizione quando è installata sull'elemento dell'aria.

USO

ATTENZIONE:

- Assicurarsi di impostare la leva di selezione della modalità sulla posizione LOCK per evitare l'espulsione imprevista di chiodi quando l'utensile è inutilizzato.
- Accertarsi che tutti i sistemi di sicurezza funzionino correttamente prima dell'uso. (Fig. 14)

Se si schiaccia soltanto il grilletto senza che l'elemento di contatto sia a contatto con il pezzo in lavorazione, l'utensile non deve sparare. (Fig. 15)

Se l'elemento di contatto è a contatto con il pezzo in lavorazione senza schiacciare il grilletto, l'utensile non deve sparare. (Fig. 16)

La chiodatrice è progettata soltanto per la chiodatura intermittente. La chiodatura intermittente è un metodo che consente di inchiodare pezzo per pezzo attenendosi alla seguente procedura.

1. Impostare la leva di selezione della modalità sulla posizione FREE.
2. Posizionare l'elemento di contatto contro il pezzo.
3. Quindi premere il grilletto.

Chiodatura del cemento

AVVERTENZA:

- Utilizzare chiodi temprati solo per il cemento. L'utilizzo di chiodi per altri impieghi potrebbe causare lesioni gravi. Non eseguire la chiodatura direttamente sul cemento. In caso contrario, frammenti di cemento potrebbero volare via o chiodi potrebbero essere sparati all'indietro causando lesioni gravi.
- Quando si sparano chiodi, tenere l'utensile in posizione verticale rispetto alla superficie della chiodatura. Se i chiodi vengono sparati obliqui, frammenti di cemento potrebbero volare via o chiodi potrebbero essere sparati all'indietro causando lesioni gravi.
- Non utilizzare l'utensile sulle superfici di sostegno di altri oggetti, ad esempio aree dove sono situati ganci per tubi di scarico, tubi antistatici e così via. Scegliere e utilizzare chiodi per raggiungere una quantità di penetrazione nel cemento di 15 mm - 20 mm. (Fig. 17)

ATTENZIONE:

- Utilizzare l'utensile soltanto per il cemento morbido posato in tempi recenti. L'utilizzo sul cemento duro potrebbe causare la piegatura dei chiodi o una chiodatura a una profondità insufficiente.
- Quando la quantità di penetrazione nel cemento richiesta è superiore a 20 mm, potrebbe non essere possibile eseguire una chiodatura con la lunghezza sufficiente. I chiodi potrebbero essere sparati troppo in superficie causando l'instabilità del pezzo in lavorazione, provocando lesioni personali e danni alle proprietà.

Taglio della lastra

ATTENZIONE:

- Staccare sempre il tubo prima di tagliare la lastra. (Fig. 18)

Rimuovere la lastra di uscita nella direzione della freccia quando si utilizzano chiodi raccolti in lastre.

MANUTENZIONE

ATTENZIONE:

- Staccare sempre il tubo prima di eseguire l'ispezione o la manutenzione.

Inceppamento della chiodatrice

ATTENZIONE:

- Staccare sempre il tubo dell'aria e rimuovere i chiodi dalla chiodatrice prima di correggere un inceppamento. (Fig. 19 e 20)

Quando la chiodatrice s'inceppa, procedere come segue: Aprire il coperchio della chiodatrice e rimuovere le bobine chiodi. Inserire un'asticciola od un altro oggetto simile nel foro di espulsione, e dare dei colpi con un martello per

fare uscire il chiodo inceppato dal foro di espulsione. Azzerare le bobine chiodi e chiudere il coperchio della chiodatrice.

Svuotamento dell'utensile (Fig. 21)

Staccare il tubo dall'utensile. Posizionare l'utensile in modo che l'elemento dell'aria sia rivolto verso il basso. Svuotare il più possibile.

Pulizia dell'utensile

Rimuovere la polvere dall'utensile con un aspirapolvere.

Coperchio (Fig. 22)

Scollegare il tubo se non lo si utilizza. Quindi chiudere l'elemento aria con il coperchio.

Conservazione

Quando non viene utilizzata, la chiodatrice deve essere conservata in un luogo temperato e asciutto.

Manutenzione del compressore, gruppo e tubo aria.

(Fig. 23 e 24)

Dopo il lavoro, scaricare sempre il serbatoio del compressore e il filtro dell'aria. Se nell'utensile entra umidità, si potrebbe verificare uno scadimento delle prestazioni ed anche un guasto dell'utensile.

Controllare regolarmente che nell'oliatore del gruppo aria sia presente olio pneumatico a sufficienza. Una lubrificazione insufficiente causa la rapida usura degli anelli di tenuta. (Fig. 25)

Tenere il tubo dell'aria lontano dal calore (oltre 60°C) e dalle sostanze chimiche (solventi, acidi o alcali forti).

Inoltre, disporre il tubo dove non sono presenti ostacoli sui quali potrebbe pericolosamente impigliarsi durante il lavoro. I tubi devono anche essere tenuti lontano dai bordi taglienti e dai punti che potrebbero danneggiarli o causarne l'abrasione. (Fig. 26)

Per mantenere la SICUREZZA e l'AFFIDABILITÀ del prodotto, le riparazioni e qualsiasi altra operazione di manutenzione o regolazione devono essere eseguiti dai centri di assistenza autorizzati Makita utilizzando sempre parti di ricambio Makita.

ACCESSORI

ATTENZIONE:

- Si raccomanda di usare questi accessori per l'utensile Makita descritto in questo manuale. L'uso di qualsiasi altro accessorio potrebbe provocare lesioni personali. Utilizzare gli accessori esclusivamente per l'uso dichiarato.

Per l'assistenza e ulteriori informazioni su tali accessori, rivolgersi al centro di assistenza Makita più vicino.

- Chiodi
- Tubi dell'aria
- Occhiali di sicurezza

Rumore

ENG102-3

Il tipico livello di rumore ponderato "A" è determinato in conformità con la norma EN792:

Livello di pressione sonora (L_{pA}): 89 dB (A)

Livello di potenza sonora (L_{WA}): 102 dB (A)

Variazione (K): 3 dB (A)

Indossare una protezione acustica.

Vibrazione

ENG233-2

Il valore dell'emissione delle vibrazioni è determinato in conformità con la norma EN792:

Emissione delle vibrazioni (a_h): 3,5 m/s²

Variazione (K): 1,5 m/s²

Solo per i paesi europei

ENH003-11

Dichiarazione di conformità CE

Makita Corporation, in qualità di produttore responsabile, dichiara che gli utensili Makita indicati di seguito:

Denominazione dell'utensile: Chiodatrice pneumatica per cemento

N. modello /Tipo: AN250HC

appartengono a una produzione in serie e

sono conformi alle seguenti direttive europee:

98/37/CE fino al 28 dicembre 2009 e

successivamente alla direttiva 2006/42/CE a partire dal 29 dicembre 2009

Sono inoltre prodotti in conformità con gli standard o i documenti standardizzati riportati di seguito:

EN792

La documentazione tecnica viene conservata dal rappresentante autorizzato Makita in Europa, ovvero:

Makita International Europe Ltd.,

Michigan, Drive, Tongwell,

Milton Keynes, MK15 8JD, Inghilterra

13 marzo 2009



Tomoyasu Kato

Direttore

Makita Corporation

3-11-8, Sumiyoshi-cho,

Anjo, Aichi, JAPAN

NEDERLANDS

Verklaring van het onderdelenoverzicht

1. Veiligheidsbril	10. Haak	20. Dunne staalplaat
2. Spatscherm	11. Contactschoen	21. Doordringdiepte in beton
3. Compressorluchttopbrengst per minuut	12. Neusadapter	22. Dop
4. Nagelsnelheid	13. Vergrendelde stand (LOCK)	23. Aftapkraantje
5. Stelknop	14. Ontgrendelde stand (FREE)	24. Luchtfilter
6. Te diep	15. Vergrendelingshendel	25. Smeerinrichting
7. Vlak	16. Deur	26.olie voor pneumatisch gereedschap
8. Te ondiep	17. Stoterkanaal	27. Thinner
9. Schroef	18. Trekker	28. Verwarming
	19. Werkstuk	

TECHNISCHE GEGEVENS

Model	AN250HC
Luchtdruk	1,18 - 2,26 MPa (11,8 - 22,6 bar)
Nagellengte	19 mm t/m 25 mm Band-type nagelrol
Nagelcapaciteit	100 stuks
Min. slangdiameter	5 mm
Afmetingen (L X B X H)	295 mm X 128 mm X 291 mm
Netto gewicht	2,1 kg

- Als gevolg van ons doorlopende onderzoeks- en ontwikkelingsprogramma, zijn de technische gegevens van dit gereedschap onderhevig aan veranderingen zonder voorafgaande kennisgeving.
- De technische gegevens kunnen van land tot land verschillen.
- Gewicht volgens EPTA-procedure 01/2003

Gebruiksdoelinden ENE072-1

Het gereedschap is bedoeld om een dunne staalplaat op beton te bevestigen.

BELANGRIJKE VEILIGHEIDSinSTRUCTIES ENB115-1

WAARSCHUWING: TIJDENS HET GEBRUIK VAN DIT GEREEDSCHAP DIENEN ALTIJD DE BASISVEILIGHEIDSVORZORGEN TE WORDEN GETROFFEN OM DE RISICO'S VAN PERSOONLIJK LETSEL, WAARONDER DE VOLGENDE, TE VERKLEINEN:

LEES ALLE INSTRUCTIES.

1. Omwille van uw persoonlijke veiligheid en de juiste werking en onderhoud van het gereedschap, leest u deze gebruiksaanwijzing alvorens het gereedschap te gebruiken.
2. Draag altijd een veiligheidsbril om uw ogen te beschermen tegen letsel door stof of nagels.
WAARSCHUWING:
Het is de verantwoordelijkheid van de werkgever om ervoor te zorgen dat veiligheidsmiddelen voor oogbescherming gebruikt worden door de gebruikers van het gereedschap en anderen in de onmiddellijke omgeving van de werkplek.
3. Alleen voor Australië en Nieuw-Zeeland
Draag altijd een veiligheidsbril en spatscherm om uw ogen te beschermen tegen letsel door stof of nagels.

De veiligheidsbril en het spatscherm dienen te voldoen aan de vereisten van AS/NZS 1336.

WAARSCHUWING:

Het is de verantwoordelijkheid van de werkgever om ervoor te zorgen dat veiligheidsmiddelen voor oogbescherming gebruikt worden door de gebruikers van het gereedschap en anderen in de onmiddellijke omgeving van de werkplek. **(zie afb. 1)**

4. Draag gehoorbescherming om uw oren te beschermen tegen het uitlaatgeluid en draag hoofdbescherming. Draag tevens lichte maar geen losse kleding. Manchetten moeten dichtgeknoopt zijn of de mouwen moeten worden opgerold. Draag geen stopdas.
5. Haast tijdens de werkzaamheden of het gereedschap dwingen is gevaarlijk. Wees voorzichtig wanneer u het gereedschap hanteert. Bedien het gereedschap niet onder invloed van alcohol, drugs en dergelijke.
6. Algemene richtlijnen voor het hanteren van het gereedschap
 - (1) Ga er altijd vanuit dat in het gereedschap nagels zitten.
 - (2) Richt het gereedschap niet op uzelf of anderen, ongeacht of er nagels in zitten of niet.
 - (3) Schakel het gereedschap niet in als dit niet stevig tegen het werkstuk wordt gedrukt.
 - (4) Respecteer het gereedschap als werkinstrument.
 - (5) Speel er niet mee.
 - (6) Draag het gereedschap niet met een vinger om de trekker.
 - (7) Laad geen nagels in het gereedschap wanneer een van de bedieningselementen is ingeschakeld.

- (8) Bedien het gereedschap niet met een andere voedingsbron dan die is aangegeven in de bedienings- en veiligheidsinstructies van dit gereedschap.
7. Als het gereedschap niet juist werkt, mag het niet worden gebruikt.
 8. Tijdens het gebruik van het gereedschap kunnen soms vonken wegspringen. Gebruik het gereedschap niet in de buurt van vluchtige, brandbare materialen, zoals benzine, thinner, verf, gas, lijm, enz., omdat deze kunnen ontsteken en exploderen, waarbij ernstig letsel kan worden veroorzaakt.
 9. De werkplek moet voldoende worden verlicht om een veilige bediening te garanderen. De werkplek moet schoon en vrij van afval zijn. Zorg ervoor dat u stevig staat en uw evenwicht goed bewaart.
 10. Alleen personen die betrokken zijn bij de werkzaamheden mogen in de buurt van de werkplek komen. Met name kinderen moeten altijd uit de buurt worden gehouden.
 11. Er kunnen plaatselijk regels gelden met betrekking tot geluid, waaraan u zich dient te houden door de geluidsproductie onder het voorgeschreven niveau te houden. In bepaalde gevallen moeten geluidsschermen worden gebruikt om het geluidsniveau te beperken.
 12. Speel niet met de contactshoelen: het voorkomt per ongeluk nagelen, dus moet het blijven zitten en mag niet worden verwijderd. De trekker in ingeschakelde stand vergrendelen is ook erg gevaarlijk. Probeer nooit de trekker vast te zetten. Bedien het gereedschap niet als enig onderdeel van de bedieningselementen van het gereedschap niet kan worden bediend, is losgekoppeld, gewijzigd of niet goed werkt.
 13. Gebruik het gereedschap binnen het opgegeven luchtdrukgebied van 1,18 - 2,26 MPa (11,8 - 22,6 bar) vanwege de veiligheid en een langere levensduur van het gereedschap. Overschrijdt de aanbevolen maximumwerkdruk van 2,26 MPa (22,6 bar) niet. Het gereedschap mag niet worden aangesloten op een bron waarvan de druk 3,39 MPa (33,9 bar) kan overschrijden.
 14. Zorg ervoor dat de druk die door het persluchtstelsel wordt geleverd, niet de maximaal toelaatbare druk van het elektrisch bevestigingsgereedschap overschrijdt. Stel de luchtdruk in eerste instantie in op de laagste waarde van de aanbevolen toelaatbare luchtdruk (zie "TECHNISCHE GEGEVENS").
 15. Gebruik het gereedschap nooit met iets anders dan perslucht. Als flessengas (kooldioxide, zuurstof, stikstof, waterstof, lucht, enz.) of brandbaar gas (waterstof, propaan, acetyleen, enz.) als voeding van dit gereedschap wordt gebruikt, zal het gereedschap exploderen en ernstig letsel veroorzaken.
 16. Controleer voor gebruik het gereedschap altijd eerst op algehele conditie en loszittende schroeven. Draai deze zo nodig vast.
 17. Controleer voor gebruik dat alle beveiligingssystemen goed werken. Het gereedschap mag niet werken als alleen de trekker wordt ingeknepen of als alleen de contactshoelen op het hout wordt gedrukt. Het gereedschap mag alleen werken als beide handelingen tegelijkertijd worden uitgevoerd. Test op mogelijke defecte werking wanneer geen nagels zijn geladen en de contactshoelen op het werkstuk wordt gedrukt of de trekker wordt ingeknepen.
 18. Controleer dat de trekker vergrendeld is, wanneer de vergrendelknop in de vergrendelde stand (LOCK) staat.
 19. Controleer muren, plafonds, vloeren en dergelijke grondig om te voorkomen dat door het nagelen in elektrische draden, pijpen of gasleidingen een elektrische schok, gaslek, explosie, enz., kan ontstaan.
 20. Gebruik uitsluitend nagels die in deze gebruiksaanwijzing worden aangegeven. Door een ander soort nagels te gebruiken, kan een storing in het gereedschap worden veroorzaakt.
 21. Gebruik nooit elektrisch bevestigingsgereedschap met daarop het symbool "Niet gebruiken op steigers en ladders" bij bepaalde toepassingen, bijvoorbeeld:
 - als bij het veranderen van een werkplek naar de volgende, gebruik gemaakt wordt van een steiger, trap, ladder of soortgelijke constructies, bijv. daklatten;
 - bij het sluiten van dozen of kratten, en
 - bij het monteren van transportbeveiligingssysteem, bijv. op voertuigen en aanhangers.
 22. Laat personen zonder onderricht het gereedschap niet gebruiken.
 23. Controleer voor het nagelen dat niemand dichtbij staat. Probeer nooit tegelijkertijd van binnenuit en van buitenaf te nagelen. De nagels kunnen er dwars doorheen gaan of afketsen en een groot gevaar opleveren.
 24. Zorg ervoor dat u tijdens het gebruik van het gereedschap stevig staat en uw evenwicht goed bewaart. Controleer dat er niemand onder u staat wanneer u op een hoge plaats werkt, en maak de perslucht slang vast om gevaarlijke situaties te voorkomen als er plotseling aan wordt getrokken of deze bekneld raakt.
 25. Op daken en andere hoge plaatsen nagelt u terwijl u voorwaarts beweegt. U glijdt gemakkelijker weg als u nagelt terwijl u achterwaarts kruipt. Als u in een rechtopstaande ondergrond nagelt, nagelt u van boven naar beneden. U kunt op deze manier nagelen zonder snel vermoeid te raken.
 26. Een nagel zal krom gaan of het gereedschap kan vastlopen als u per ongeluk bovenop een andere nagel of in een knoest in het hout nagelt. De nagel kan wegschieten en iemand raken, of het gereedschap zelf kan gevaarlijk terugslaan. Kies de plaats voor de nagel met zorg.
 27. Laat het geladen gereedschap of de luchtcompressor niet onder druk gedurende een lange tijd in de zon liggen. Zorg ervoor dat stof, zand, houtsnippers en vreemde stoffen niet kunnen binnendringen in het gereedschap op de plaats waar u het laat liggen.
 28. Richt de schietmond nooit op iemand in de buurt. Houd handen en voeten uit de buurt van de schietmond.
 29. Als de perslucht slang is aangesloten, draagt u het gereedschap niet met uw vinger om de trekker en geeft u het gereedschap niet op deze manier aan iemand anders. Als de trekker per ongeluk wordt ingeknepen, ontstaat een uiterst gevaarlijke situatie.

30. Hanteer het gereedschap voorzichtig, aangezien er binnenin het gereedschap een hoge druk is die gevaar oplevert als een barst ontstaat door grove behandeling (laten vallen of stoten). Probeer niet in het gereedschap te snijden of graveren.
31. Stop onmiddellijk met nagelen als u een probleem of iets vreemds opmerkt aan het gereedschap.
32. Koppel altijd de perslucht slang los en verwijder alle nagels:
 1. Als u het gereedschap alleen achterlaat;
 2. Alvorens enige onderhouds- of reparatiewerkzaamheden uit te voeren;
 3. Alvorens een verstopping te verhelpen, en
 4. Alvorens het gereedschap naar een andere plaats over te brengen.
33. Voer de reinigings- en onderhoudswerkzaamheden uit onmiddellijk nadat het werk is voltooid. Houd het gereedschap in optimale conditie. Smeer bewegende delen om roesten te voorkomen en slijtage door wrijving te minimaliseren. Veeg alle stof van de onderdelen af.
34. Als u het gereedschap niet gebruikt, moet u altijd de trekker vergrendelen door de vergrendelknop naar de stand LOCK te draaien.
35. Wijzig het gereedschap niet zonder toestemming van Makita.
36. Vraag een erkend Makita-servicecentrum regelmatig het gereedschap te inspecteren.
37. Om de VEILIGHEID en BETROUWBAARHEID van het gereedschap te handhaven, dienen alle reparaties en onderhoud te worden uitgevoerd door een erkend Makita-servicecentrum, en altijd met gebruikmaking van originele Makita-ervangingsonderdelen.
38. Gebruik uitsluitend olie voor pneumatisch gereedschap die in deze gebruiksaanwijzing wordt aangegeven.
39. Sluit het gereedschap nooit aan op een persluchtleiding die de maximaal toegelaten druk van het gereedschap niet met 10% kan overschrijden. Zorg ervoor dat de druk die door het persluchtstelsel wordt geleverd, niet de maximaal toelaatbare druk van het elektrisch bevestigingsgereedschap overschrijdt. Stel de luchtdruk in eerste instantie in op de laagste waarde van de aanbevolen toelaatbare luchtdruk.
40. Probeer niet de contactschoen voortdurend ingedrukt te houden met tape of draad. Dit kan leiden tot de dood of ernstig letsel.
 - Controleer altijd de contactschoen volgens de instructies in deze gebruiksaanwijzing. Als het veiligheidsmechanisme niet goed werkt, kunnen nagels per ongeluk worden geschoten.

BEWAAR DEZE INSTRUCTIES

HET JUISTE GEREEDSCHAP KIEZEN

Een compressor kiezen (zie afb. 2)

De luchtcompressor moet voldoen aan de vereisten van EN60335-2-34.

Kies een compressor die ruim voldoende luchtdruk en luchttopbrengst levert om verzekerd te zijn van een kostenefficiënte werking. De grafiek geeft de relatie aan

tussen de nagelsnelheid, toepasselijke luchtdruk en compressorluchttopbrengst.

Als bijvoorbeeld het nagelen ongeveer 15 keer per minuut wordt uitgevoerd met een luchtdruk van 1,76 MPa (17,6 bar), is een compressor met een luchttopbrengst van meer dan 70 liter/ minuut vereist.

Als de toegevoerde luchtdruk hoger is dan de nominale luchtdruk van het gereedschap, moeten drukregulators worden gebruikt om de luchtdruk te beperken tot de nominale luchtdruk van het gereedschap. Als u dit niet doet kunnen de gebruiker van het gereedschap en personen in de buurt ernstig letsel oplopen.

De perslucht slang kiezen (zie afb. 3)

Gebruik een perslucht slang.

Gebruik een zo groot en kort mogelijke perslucht slang om verzekerd te zijn van ononderbroken en efficiënt nagelen.

LET OP:

- Als de compressorluchttopbrengst lager is, of de perslucht slang een kleinere inwendige diameter heeft of langer is in verhouding tot het nagelvermogen, kan de nagelkracht van het gereedschap teruglopen.

Smeren (zie afb. 4)

Om van maximale prestaties verzekerd te zijn, monteert u een luchtset (smeerinrichting, drukregulator, luchtfilter) zo dicht mogelijk bij het gereedschap. Stel de smerinrichting zodanig in dat voor iedere 30 nagels een druppel smeerolie wordt geleverd. (zie afb. 5)

Als geen luchtset wordt gebruikt, smeert u het gereedschap met olie voor pneumatisch gereedschap door twee of drie druppels in het luchtaansluiting aan te brengen. U dient dit voor en na ieder gebruik te doen. Voor een goede smering moet het gereedschap enkele keren worden bediend nadat de olie voor pneumatisch gereedschap is aangebracht.

BESCHRIJVING VAN DE FUNCTIES

LET OP:

- Koppel altijd de perslucht slang los voordat u de werking van het gereedschap controleert of afstelt.

De nageldiepte instellen

LET OP:

- Koppel altijd de perslucht slang los voordat u de nageldiepte controleert. (zie afb. 6 en 7)

Als de nagels te diep worden geschoten, draait u de stelknop rechtsom. Als de nagels te ondiep wordt geschoten, draait u de stelknop linksom.

Het instelbereik is 10 mm (een volledige slag komt overeen met 0,8 mm).

Haak

LET OP:

- Koppel altijd de perslucht slang los wanneer het gereedschap aan de haak wordt opgehangen.
- Hang het gereedschap nooit aan een heupgordel of iets dergelijks. Hierdoor kan het gereedschap per ongeluk nagels schieten, wat uiterst gevaarlijk is. (zie afb. 8)

De haak is handig om het gereedschap tijdelijk aan op te hangen. De haak kan aan beide kanten van het gereedschap worden bevestigd.

Als u de haak aan een andere zijde wilt bevestigen, draait u de schroef eruit met behulp van een schroevendraaier. Bevestig de haak aan de andere zijde van het gereedschap met behulp van de schroef. Bevestig de haak aan de andere zijde van het gereedschap met behulp van de schroef.

De neusadapter gebruiken

LET OP:

- Koppel altijd de perslucht slang los voordat u de neusadapter aanbrengt. (zie afb. 9)

Als u wilt voorkomen dat de nagelplaats verschuift door wegglijden op het werkstuk, bevestig u de neusadapter op de contact schoen.

Normaal gesproken gebruikt u een van de twee neusadapters A (transparant): één is reeds in de fabriek aangebracht op de contact schoen, de ander is opgeborgen onder de handgreep.

Tijdens het werken op smalle locaties gebruikt u een van de twee neusadapters (zwart) die zijn bijgeleverd in de kartonnen doos van het gereedschap.

Om de neusadapter op de contact schoen te bevestigen, drukt u deze zo ver mogelijk op de contact schoen.

De trekker vergrendelen

Dit nagelpistool is uitgerust met een mechanisme voor het vergrendelen van de trekker om persoonlijk letsel en materiële schade te voorkomen die kunnen worden veroorzaakt door een onjuiste bediening, anders dan nagelen. (zie afb. 10)

Zet de vergrendelknop in de stand LOCK om de trekker te vergrendelen. (zie afb. 11)

Alvorens te nagelen, zet u de vergrendelknop in de stand FREE. Als u NIET nagelt, zet u de vergrendelknop in de stand LOCK en koppelt u de perslucht slang los.

ONDERDELEN AANBRENGEN/ VERWIJDEREN

LET OP:

- Koppel altijd de perslucht slang los alvorens nagels te laden.

Nagels laden (zie afb. 12)

Koppel de perslucht slang los van het gereedschap. Kies nagels die geschikt zijn voor uw werk. Duw de vergrendelingshendel omlaag en open de deur en magazijnkap. (zie afb. 13)

Plaats de nagelrol in het magazijn. Rol voldoende nagels af om de nagelgeleider te bereiken. Plaats de eerste nagel in de toevoer en de tweede nagel in de toevoerklauw. Plaats andere afgewikkelde nagels op het toevoerhuis. Sluit de magazijnkap nadat u hebt gecontroleerd dat de nagelrol goed in het magazijn is geplaatst.

De perslucht slang aansluiten

Schuif de aansluiting van de perslucht slang op de aansluiting van het nagelpistool. Zorg ervoor dat beide aansluitingen stevig op elkaar worden vergrendeld.

BEDRIJF

LET OP:

- Vergeet niet de vergrendelknop in de stand LOCK te zetten om te voorkomen dat het gereedschap per ongeluk een nagel schiet terwijl het niet in gebruik is.
- Controleer voor gebruik dat alle beveiligingsystemen goed werken. (zie afb. 14)

Als de trekker wordt ingeknepen zonder dat de contact schoen het werkstuk raakt, mag geen nagel worden geschoten. (zie afb. 15)

Als de contact schoen het werkstuk raakt zonder dat de trekker wordt ingeknepen, mag geen nagel worden geschoten. (zie afb. 16)

Dit nagelpistool is uitsluitend bedoeld voor onderbroken nagelen. Onderbroken nagelen is het stuk voor stuk schieten van de nagels via de volgende stappen:

1. Zet de vergrendelknop in de stand FREE.
2. Druk de contact schoen tegen het werkstuk.
3. Knijp daarna de trekker in.

Nagelen in beton

WAARSCHUWING:

- Gebruik voor nagelen in beton uitsluitend nagels van gehard staal. Andere nagels kunnen ernstig letsel veroorzaken. Nagel niet rechtstreeks in het beton. Als u dat toch doet, kunnen stukjes beton wegvliegen of nagels terugketsen, waardoor ernstig letsel kan worden veroorzaakt.
- Houd tijdens het nagelen het gereedschap altijd haaks op het oppervlak van het werkstuk. Als u schuin nagelt, kunnen stukjes beton wegvliegen of nagels terugketsen, waardoor ernstig letsel kan worden veroorzaakt.
- Gebruik niet op oppervlakken waaraan voorwerpen zijn bevestigd, zoals een plaats waar bevestigingsbeugels voor rioolpijpen, luchtafzuigleidingen, enz., zijn gemonteerd. Gebruik nagels die tussen 15 mm en 20 mm in het beton dringen. (zie afb. 17)

LET OP:

- Gebruik dit gereedschap uitsluitend voor beton dat nog niet zo lang geleden is gestort. Bij gebruik in hard beton kunnen de nagels krom gaan of onvoldoende diep worden geschoten.
- Wanneer de nagels meer dan 20 mm in het beton moeten worden geschoten, is het mogelijk dat ze onvoldoende diep komen. De nagels kunnen te ondiep komen waardoor het werkstuk instabiel wordt en persoonlijk letsel en materiële schade kan worden veroorzaakt.

De nagelband afscheuren

LET OP:

- Koppel altijd de perslucht slang los voordat u de nagelband afscheurt. (zie afb. 18)

Scheur de uitgevoerde band af in de richting van de pijl bij gebruik van een band-type nagelrol.

ONDERHOUD

LET OP:

- Koppel de perslucht slang altijd los van het gereedschap alvorens inspectie- of onderhoudswerkzaamheden uit te voeren.

Vastgelopen nagelpistool

LET OP:

- Alvorens een vastgelopen nagel te verwijderen, koppelt u altijd eerst de perslucht slang los en haalt u de nagelrol uit het magazijn. (zie afb. 19 en 20)

Wanneer het nagelpistool vastloopt, gaat u als volgt te werk:

Open het deksel van het magazijn en verwijder de nagelrol. Steek een dunne stang of iets dergelijks in de schietmond en tik er met een hamer op om de vastgelopen nagel via de schietmond te verwijderen. Plaats de nagelrol terug en sluit het deksel van het magazijn.

Het gereedschap aftappen (zie afb. 21)

Koppel de perslucht slang los van het gereedschap. Houd het gereedschap zodanig vast dat de luchtinlaat naar beneden is gericht. Laat zo veel mogelijk water uit het gereedschap lopen.

Het gereedschap reinigen

Blaas het stof van het gereedschap af met behulp van een perslucht pistool.

Dop (zie afb. 22)

Als het nagelpistool niet in gebruik is, koppelt u de perslucht slang los. Plaats daarna de dop op de luchtinlaat.

Opslag

Wanneer het nagelpistool niet in gebruik is, moet het worden opgeborgen op een warme, droge plaats.

Onderhoud aan de compressor, luchtset en perslucht slang. (zie afb. 23 en 24)

Na gebruik moet altijd de luchtdruktank en het luchtfilter van de compressor worden afgetapt. Als vocht in het gereedschap kan binnendringen, kan dit leiden tot slechte prestaties en mogelijk defect van het gereedschap. Controleer regelmatig om te zien of er voldoende pneumatische olie in de smerinrichting van de luchtset zit. Als u niet voor voldoende smering zorgt, zullen de O-ringen snel slijten. (zie afb. 25)

Houd de perslucht slang uit de buurt van warmte (meer dan 60°C) en uit de buurt van chemicaliën (thinner, sterke zuren of basen). Houd de perslucht slang ook uit de buurt van obstakels waarachter deze kan haken tijdens gebruik om gevaarlijke situaties te voorkomen. De perslucht slang moet tevens uit de buurt worden gehouden van scherpe randen en plaatsen die aanleiding kunnen geven tot beschadiging of schuren van de perslucht slang. (zie afb. 26)

Om de VEILIGHEID en BETROUWBAARHEID van het gereedschap te handhaven, dienen alle reparaties, onderhoud en afstellingen te worden uitgevoerd door een erkend Makita-servicecentrum, en altijd met gebruikmaking van originele Makita- vervangingsonderdelen.

ACCESSOIRES

LET OP:

- Deze accessoires of hulpstukken worden aanbevolen voor gebruik met het Makita-gereedschap dat in deze gebruiksaanwijzing wordt beschreven. Het gebruik van andere accessoires of hulpstukken kan gevaar voor persoonlijk letsel opleveren. Gebruik de accessoires of hulpstukken uitsluitend voor de aangegeven gebruiksdoeleinden.

Mocht u meer informatie willen hebben over deze accessoires, dan kunt u contact opnemen met uw plaatselijke Makita-servicecentrum.

- Nagel
- Persluchtslangen
- Veiligheidsbril

Geluid

ENG102-3

De typische, A-gewogen geluidsniveaus zijn gemeten volgens EN792:

Geluidsdruk niveau (L_{pA}): 89 dB (A)

Geluidsvermogen niveau (L_{WA}): 102 dB (A)

Onzekerheid (K): 3 dB (A)

Draag gehoorbescherming.

Trilling

ENG233-2

De trillingsemisiewaarde is bepaald volgens EN792:

Trillingsemisie (a_{h1}): 3,5 m/s²

Onzekerheid (K): 1,5 m/s²

Alleen voor Europese landen

ENH003-11

EU-verklaring van conformiteit

Wij, Makita Corporation, als de verantwoordelijke fabrikant, verklaren dat de volgende Makita-machine(s):

Aanduiding van de machine: Pneumatisch betonnagelpistool

Modelnr./Type: AN250HC

in serie is geproduceerd en

Voldoet aan de volgende Europese richtlijnen:

98/37/EC tot en met 28 december 2009 en daarna aan 2006/42/EC vanaf 29 december 2009

En is gefabriceerd in overeenstemming met de volgende normen of genormaliseerde documenten:

EN792

De technische documentatie wordt bewaard door onze erkende vertegenwoordiger in Europa, te weten:

Makita International Europe Ltd.,
Michigan Drive, Tongwell,
Milton Keynes, MK15 8JD, Engeland

13 maart 2009



Tomoyasu Kato
Directeur

Makita Corporation
3-11-8, Sumiyoshi-cho,
Anjo, Aichi, JAPAN

Explicación de los dibujos

- | | | |
|---|-----------------------------------|---------------------------------------|
| 1. Gafas de seguridad | 10. Gancho | 20. Placa de acero delgada |
| 2. Careta protectora | 11. Elemento de contacto | 21. Penetración en el hornigón |
| 3. Salida de aire comprimido por minuto | 12. Adaptador de boquilla | 22. Tapa |
| 4. Frecuencia de clavado | 13. Posición de bloqueo | 23. Grifo de drenaje |
| 5. Regulador | 14. Posición libre | 24. Filtro de aire |
| 6. Demasiado profundo | 15. Palanca de pestillo | 25. Aceitero |
| 7. A ras de la superficie | 16. Puerta | 26. Aceite de herramientas neumáticas |
| 8. Demasiado poco profundo | 17. Canal de la varilla de empuje | 27. Disolvente |
| 9. Tornillo | 18. Disparador | 28. Estufa |
| | 19. Pieza de trabajo | |

ESPECIFICACIONES

Modelo	AN250HC
Presión del aire	1,18 - 2,26 MPa (11,8 - 22,6 bares)
Longitud del clavo	19 mm - 25 mm Clavo de bobina intercalado en una tira
Capacidad de clavos	100 piezas
Diámetro mínimo de la manguera	5 mm
Dimensiones (Largo X Ancho X Alto)	295 mm X 128 mm X 291 mm
Peso neto	2,1 kg

- Debido a nuestro programa continuo de investigación y desarrollo, las especificaciones aquí descritas están sujetas a cambios sin previo aviso.
- Las especificaciones pueden ser diferentes de un país a otro.
- Peso de acuerdo con el procedimiento EPTA 01/2003

Uso previsto

ENE072-1

La herramienta se ha diseñado para fijar una fina placa de acero en el hornigón.

INSTRUCCIONES DE SEGURIDAD IMPORTANTES

ENB115-1

ADVERTENCIA: CUANDO SE UTILICE ESTA HERRAMIENTA SIEMPRE DEBEN TOMARSE PRECAUCIONES DE SEGURIDAD PARA REDUCIR EL RIESGO DE LESIONES PERSONALES, INCLUYENDO LAS SIGUIENTES:

LEA TODAS LAS INSTRUCCIONES

1. Por su seguridad personal y para una utilización y un mantenimiento correctos de la herramienta, lea este manual de instrucciones antes de utilizar la herramienta.
2. Utilice siempre gafas de seguridad para proteger sus ojos del polvo o de lesiones provocadas por clavos.
ADVERTENCIA:
Es responsabilidad del empleador garantizar que los operarios de la herramienta y otras personas de la zona de trabajo inmediata utilicen equipo de protección ocular.
3. Para Australia y Nueva Zelanda solamente
Utilice siempre gafas de seguridad y una careta protectora para proteger sus ojos del polvo o de lesiones provocadas por clavos. Las gafas de

seguridad y la careta protectora deben cumplir con los requisitos de AS/NZS 1336.

ADVERTENCIA:

Es responsabilidad del empleador garantizar que los operarios de la herramienta y otras personas de la zona de trabajo inmediata utilicen equipo de protección ocular. (**Fig. 1**)

4. Utilice protección para la cabeza y protección para los oídos para protegerlos de la emisión de ruidos. Asimismo, lleve ropa ligera pero no suelta. Las mangas deben estar abotonadas o arremangadas. No debe llevarse corbata.
5. Es peligroso apresurar el trabajo o forzar la herramienta. Maneje la herramienta con cuidado. No la utilice bajo la influencia del alcohol, drogas o sustancias similares.
6. Pautas generales de manejo de la herramienta:
 - (1) Asuma siempre que la herramienta contiene clavos.
 - (2) No se apunte a usted mismo ni a nadie más con la herramienta, tanto si contiene clavos como si no.
 - (3) No active la herramienta a menos que la tenga puesta firmemente contra la pieza de trabajo.
 - (4) Trate a la herramienta como un útil de trabajo.
 - (5) No juegue con la herramienta.
 - (6) No sujete ni transporte la herramienta con el dedo en el disparador.
 - (7) No cargue clavos en la herramienta estando cualquiera de los controles de operación activado.
 - (8) No utilice la herramienta con ninguna otra fuente de alimentación distinta a la especificada en las

- instrucciones de funcionamiento/seguridad de la herramienta.
7. No se debe utilizar una herramienta que no funcione debidamente.
 8. Pueden saltar chispas cuando se utiliza la herramienta. No utilice la herramienta cerca de materiales inflamables o volátiles, como gasolina, disolvente, pintura, gas, adhesivos, etc., ya que pueden encenderse, explotar y causar lesiones graves.
 9. El área debe estar suficientemente iluminada para asegurar una utilización segura. El área deberá estar despejada y libre de desechos. Tenga especial cuidado de mantener los pies sobre suelo firme y en equilibrio.
 10. En la proximidad solamente deben estar aquellas personas implicadas en el trabajo. Especialmente los niños deben mantenerse alejados en todo momento.
 11. Puede haber reglamentos locales concernientes al ruido que habrá que cumplir manteniendo los niveles de ruido dentro de los límites establecidos. En ciertos casos, se deberán utilizar celosías para contener el ruido.
 12. No juegue con el elemento de contacto: previene la descarga accidental, por lo que se debe mantener activado y colocado en su sitio. También es muy peligroso fijar el disparador en la posición ON (activado). No intente nunca atar el disparador. No utilice la herramienta si cualquier parte de los controles de operación de la herramienta está inoperable, desconectada, modificada, o no funciona correctamente.
 13. Utilice la herramienta dentro de la presión de aire especificada de 1,18 - 2,26 MPa (11,8 - 22,6 bares) por seguridad y para prolongar la vida de la herramienta. No exceda la presión de funcionamiento máxima recomendada de 2,26 MPa (22,6 bares). La herramienta no debe conectarse a una fuente cuya presión pueda sobrepasar 3,39 MPa (33,9 bares).
 14. Asegúrese de que la presión suministrada por el sistema de aire comprimido no exceda la presión máxima permitida de la clavadora. Ajuste la presión de aire inicialmente a un valor inferior a la presión permitida recomendada (consulte las ESPECIFICACIONES).
 15. No utilice nunca la herramienta con nada que no sea aire comprimido. Si se utiliza gas (dióxido de carbono, oxígeno, nitrógeno, hidrógeno, aire, etc.) o gas combustible (hidrógeno, propano, acetileno, etc.) embotellado como fuente de alimentación para esta herramienta, la herramienta explotará y ocasionará graves heridas.
 16. Compruebe siempre la herramienta antes de su uso para ver su estado general y si hay tornillos sueltos. Apriete según sea necesario.
 17. Asegúrese de que todos los sistemas de seguridad estén en condiciones de funcionamiento antes de su utilización. La herramienta no debe funcionar si sólo se acciona el disparador o si sólo se presiona el brazo de contacto contra la madera. Solamente debe funcionar cuando se realicen ambas acciones. Haga una prueba sin clavos cargados y con el empujador en la posición totalmente presionada para ver si hay algún posible fallo de funcionamiento.
 18. Asegúrese de que el disparador esté bloqueado cuando ponga la palanca de bloqueo en la posición LOCK (bloqueo).
 19. Compruebe las paredes, techos, suelos, techumbres y elementos similares con cuidado para evitar descargas eléctricas, fugas de gas, explosiones, etc., ocasionadas por el contacto con cables con tensión, conductos o tuberías de gas.
 20. Utilice solamente los clavos especificados en este manual. La utilización de otros clavos puede ocasionar un mal funcionamiento de la herramienta.
 21. No utilice nunca grapadoras marcadas con el símbolo de "No utilizar en andamios, escaleras de mano" para aplicaciones específicas, por ejemplo:
 - cuando el cambio de un lugar de clavado a otro implique la utilización de andamios, escaleras, escaleras de mano, o construcciones en forma de escalera, por ejemplo, listones de techumbres;
 - cierre de cajas o cajones;
 - colocación de sistemas de seguridad de transportes, por ejemplo, en vehículos y vagones.
 22. No permita que personas no instruidas utilicen la herramienta.
 23. Asegúrese de que no haya nadie cerca antes de empezar a clavar. Nunca intente clavar simultáneamente desde el lado interior y exterior. Los clavos pueden atravesar el material y/o salir despedidos, lo que provocaría una situación de peligro grave.
 24. Observe el suelo donde pisa y mantenga su equilibrio con la herramienta. Asegúrese de que no haya nadie debajo cuando trabaje en lugares elevados, y sujete la manguera de aire para evitar peligros si se produjera un tirón o enganche repentino.
 25. En techados y otros lugares elevados, clave a medida que avanza. Es fácil perder el equilibrio si clava moviéndose hacia atrás. Cuando clave contra superficies perpendiculares, clave de arriba hacia abajo. Haciéndolo de esta forma podrá realizar la operación de clavado fatigándose menos.
 26. Si clava equivocadamente encima de otro clavo o golpea un nudo en la madera, el clavo se torcerá o se atascará la herramienta. El clavo puede salir lanzado y golpear a alguien, o la propia herramienta puede reaccionar peligrosamente. Ponga los clavos con cuidado.
 27. No deje la herramienta cargada ni el compresor de aire bajo presión durante largo tiempo al sol. Asegúrese de que no entre polvo, arena, virutas ni materias extrañas en la herramienta en el lugar donde la deje.
 28. No apunte con el puerto de expulsión a nadie de su alrededor. Mantenga las manos y pies alejados del área del puerto de expulsión.
 29. Cuando esté conectada la manguera de aire, no transporte la herramienta con el dedo en el disparador ni se la pase a otra persona en este estado. El disparo accidental puede ser extremadamente peligroso.
 30. Maneje la herramienta con cuidado, ya que dentro de la herramienta hay una presión muy alta que puede ser peligrosa si se produce una grieta debido a un manejo brusco (dejando caer o golpeando la herramienta). No intente grabar ni esculpir en la herramienta.

31. Pare inmediatamente la operación de clavado si nota algo incorrecto o fuera de lo normal en la herramienta.
32. Desconecte siempre la manguera de aire y extraiga todos los clavos:
 1. Cuando deje la herramienta sin atender.
 2. Antes de realizar cualquier mantenimiento o reparación.
 3. Antes de despejar un atasco.
 4. Antes de trasladar la herramienta a un nuevo lugar.
33. Realice la limpieza y el mantenimiento inmediatamente después de terminar el trabajo. Mantenga la herramienta en perfectas condiciones. Lubrique las partes móviles para evitar la oxidación y minimizar el desgaste relacionado con la fricción. Quite todo el polvo de dichas partes.
34. Cuando no esté utilizando la herramienta, bloquee siempre el disparador girando la palanca de bloqueo a la posición LOCK (bloqueo).
35. No modifique la herramienta sin la autorización de Makita.
36. Pregunte en centros de servicio autorizados por Makita sobre la inspección periódica de la herramienta.
37. Para conservar la SEGURIDAD y la FIABILIDAD del producto, los trabajos de reparación y otros trabajos de mantenimiento deben ser realizados en centros de servicio autorizados de Makita, utilizando siempre repuestos Makita.
38. Utilice solamente el aceite de herramientas neumáticas especificado en este manual.
39. Nunca conecte la herramienta a una línea de aire comprimido en la que la presión máxima de la herramienta no se pueda superar en un 10 %. Asegúrese de que la presión suministrada por el sistema de aire comprimido no exceda la presión máxima permitida de la clavadora. Ajuste la presión de aire inicialmente a un valor inferior a la presión permitida recomendada.
40. No intente mantener el elemento de contacto del disparador presionado con cinta adhesiva o alambre. Puede sufrir lesiones graves o morir.
 - Compruebe siempre el elemento de contacto tal y como se indica en este manual. Los clavos se pueden clavar accidentalmente si el mecanismo de seguridad no funciona correctamente.

GUARDE ESTAS INSTRUCCIONES.

INSTALACIÓN

Selección del compresor (Fig. 2)

El compresor de aire debe cumplir con los requisitos de EN60335-2-34.

Seleccione un compresor que tenga una presión y salida de aire amplias para asegurar un funcionamiento eficiente. El gráfico muestra la relación entre la frecuencia de clavado, la presión aplicable y la salida de aire del compresor.

Así, por ejemplo, si el clavado se realiza a una frecuencia de aproximadamente 15 veces por minuto a una compresión de 1,76 MPa (17,6 bares), se requerirá un

compresor con una salida de aire de más de 70 litros/minuto.

Cuando la presión del suministro de aire exceda la presión nominal de la herramienta se deberán utilizar reguladores de presión para limitar la presión de aire a la presión nominal de la herramienta. De no hacerlo, el operario de la herramienta o las personas cercanas pueden sufrir graves lesiones.

Selección de la manguera de aire (Fig. 3)

Utilice una manguera de aire resistente a las altas presiones.

Utilice una manguera de aire tan grande y corta como sea posible para asegurar una operación de clavado continua y eficiente.

PRECAUCIÓN:

- Una salida de aire baja del compresor, o una manguera de aire larga o de diámetro más pequeño en relación con la frecuencia de clavado podrá ocasionar una disminución de la capacidad de clavado de la herramienta.

Lubricación (Fig. 4)

Para asegurar el máximo rendimiento, instale un conjunto de aire (aceitero, regulador, filtro de aire) lo más cerca posible de la herramienta. Ajuste el aceitero de forma que provea una gota de aceite cada 30 clavos. (Fig. 5)

Cuando no se utilice un conjunto de aire, engrase la herramienta con aceite de herramientas neumáticas poniendo dos o tres gotas en el conector de aire. Esto deberá hacerse antes y después del uso. Para una lubricación apropiada, la herramienta deberá ser disparada unas cuantas veces después de haber introducido el aceite de herramientas neumáticas.

DESCRIPCIÓN DEL FUNCIONAMIENTO

PRECAUCIÓN:

- Desconecte siempre la manguera de aire antes de ajustar o comprobar la función de la herramienta.

Ajuste de la profundidad de clavado

PRECAUCIÓN:

- Desconecte siempre la manguera antes de ajustar la profundidad de clavado. (Fig. 6 y 7)

Si se clava con demasiada profundidad, gire el regulador en el sentido de las agujas del reloj. Si se clava demasiado superficialmente, gire el regulador en el sentido contrario a las agujas del reloj.

El intervalo ajustable es de 10 mm. (Un giro completo permite un ajuste de 0,8 mm.)

Gancho

PRECAUCIÓN:

- Desconecte siempre la manguera cuando cuelgue la herramienta mediante el gancho.
- Nunca cuelgue la herramienta en un cinturón o un objeto similar. Se puede provocar un peligroso disparo accidental. (Fig. 8)

El gancho es útil para colgar la herramienta temporalmente. Puede instalarse en cualquier lado de la herramienta.

Para cambiar la posición de instalación, retire el tornillo con un destornillador. Instale el gancho en otro lado para la instalación y, a continuación, fíjelo con el tornillo. Instale el gancho en otro lado para la instalación y, a continuación, fíjelo con el tornillo.

Use el adaptador de boquilla

PRECAUCIÓN:

- Desconecte siempre la manguera antes de instalar o extraer el adaptador de boquilla. (Fig. 9)

Si desea evitar el cambio de puntos de clavado producido por el deslizamiento sobre la pieza de trabajo, acople el adaptador de boquilla del elemento de contacto.

Normalmente se utiliza uno de los dos adaptadores de boquilla A (transparentes), uno instalado en la fábrica en el elemento de contacto y el otro almacenado debajo de la empuñadura.

Cuando trabaje en perfiles metálicos de tabiques estrechos, utilice uno de los dos adaptadores de boquilla B (negros) que se proporcionan en la caja de la herramienta.

Para acoplar el adaptador de boquilla al elemento de contacto, encájelo en el elemento de contacto presionándolo lo máximo posible.

Bloqueo del disparador.

Esta clavadora se proporciona con un mecanismo de bloqueo del disparador para evitar lesiones personales y daños materiales causados por una utilización incorrecta durante la operación de clavado. (Fig. 10)

Ajuste la palanca de cambio en la posición LOCK (Bloqueo) para bloquear el disparador. (Fig. 11)

Antes de clavar, ajuste la palanca de cambio en la posición FREE (libre). Cuando NO clave, asegúrese de ajustar la palanca de cambio en la posición LOCK y desconecte la manguera de aire.

MONTAJE

PRECAUCIÓN:

- Desconecte siempre la manguera de aire antes de cargar la clavadora.

Carga de la clavadora (Fig. 12)

Desconecte la manguera de aire de la herramienta.

Seleccione los clavos apropiados para su trabajo. Ejercer presión sobre la palanca de pestillo y abra la puerta y la tapa del depósito alimentador. (Fig. 13)

Coloque la bobina de clavos en el depósito alimentador. Desenrolle un número suficiente de clavos para que lleguen a la guía de clavos. Coloque el primer clavo en el alimentador y el segundo clavo en la garra de alimentación. Coloque otros clavos sin enrollar en el cuerpo del alimentador. Cierre la tapa del depósito alimentador lentamente hasta que se bloquee tras comprobar si la bobina de clavos está correctamente colocada en el depósito alimentador.

Conexión de la manguera de aire

Encaje el acoplador de aire de la manguera de aire en el conector de aire de la clavadora de clavos. Asegúrese de que el acoplador de aire quede bloqueado firmemente en posición cuando lo instale en el conector de aire.

ACCIONAMIENTO

PRECAUCIÓN:

- Asegúrese de ajustar la palanca de cambio en la posición LOCK para evitar un disparo inesperado cuando la herramienta no se utiliza.
- Asegúrese de que todos los sistemas de seguridad estén en condiciones de funcionamiento antes de su utilización. (Fig. 14)

El accionamiento del disparador sin que el elemento de contacto entre en contacto con la pieza de trabajo no debe provocar el disparo de la herramienta. (Fig. 15)

El contacto del elemento de contacto con la pieza de trabajo sin accionar el disparador no debe provocar el disparo de la herramienta. (Fig. 16)

Esta clavadora solamente está pensada para el clavado intermitente. El clavado intermitente es un método de clavar pieza a pieza con los siguientes pasos.

1. Coloque la palanca de cambio en la posición FREE.
2. Coloque el elemento de contacto contra la pieza.
3. Y a continuación tire del disparador.

Clavado en hormigón

ADVERTENCIA:

- Use clavos reforzados solamente para hormigón. El uso de clavos con otra finalidad puede provocar graves lesiones. No clave directamente en el hormigón. En caso contrario se puede provocar que fragmentos de hormigón salgan despedidos o que los clavos reboten y provoquen graves lesiones.
- Cuando clave, sujete la herramienta de forma que permanezca perpendicular a la superficie de clavado. El clavado inclinado puede provocar que fragmentos de hormigón salgan despedidos o que los clavos reboten y provoquen graves lesiones.
- No utilice la herramienta en superficies de las que cuelguen objetos, como zonas en las que se han montado soportes para tuberías de desagüe, conductos de ventilación, etc. Elija y utilice los clavos de forma que la penetración en el hormigón oscile entre 15 mm - 20 mm. (Fig. 17)

PRECAUCIÓN:

- Utilice esta herramienta solamente para hormigón blando que no se haya construido hace mucho tiempo. El uso en hormigón duro puede provocar que se doble un clavo o que se clave a una profundidad insuficiente.
- Cuando sea necesario clavar a una profundidad superior a 20 mm, no se pueden obtener clavos de la longitud suficiente. Los clavos pueden clavarse demasiado superficialmente y provocar que la pieza de trabajo sea inestable, lo que puede provocar lesiones y daños materiales.

Corte de la tira

PRECAUCIÓN:

- Desconecte siempre la manguera antes de cortar la tira. (Fig. 18)

Rasgue la tira de salida en la dirección de la flecha cuando utilice los clavos intercalados en una tira.

MANTENIMIENTO

PRECAUCIÓN:

- Desconecte siempre la manguera de aire de la herramienta antes de intentar realizar una inspección o mantenimiento.

Atasco en la clavadora de clavos

PRECAUCIÓN:

- Desconecte siempre la manguera de aire y retire los clavos del depósito alimentador antes de despejar un atasco. (Fig. 19 y 20)

Cuando la clavadora de clavos se atasque, haga lo siguiente:

Abra la tapa del depósito alimentador y retire la bobina. Inserte una varilla pequeña o similar en el puerto de expulsión y golpéela ligeramente con un martillo para expulsar el clavo atascado del puerto de expulsión. Vuelva a colocar la bobina de clavos y cierre la tapa del depósito alimentador.

Drenaje de la herramienta (Fig. 21)

Desconecte la manguera de la herramienta. Coloque la herramienta de forma que la cara de acoplamiento del aire mire hacia el suelo. Drene tanto como sea posible.

Limpieza de la herramienta

Sople la suciedad adherida a la herramienta mediante un soplador de aire.

Tapa (Fig. 22)

Cuando no la utilice, desconecte la manguera. A continuación, tape el conector de aire con la tapa.

Almacenamiento

Cuando no se utilice, la grapadora debe almacenarse en un lugar templado y seco.

Mantenimiento del compresor, conjunto de aire y manguera de aire. (Fig. 23 y 24)

Después de una operación, drene siempre el tanque compresor y el filtro de aire. Si permite que entre humedad en la herramienta, podrá provocar un rendimiento deficiente y un posible fallo de la herramienta.

Compruebe regularmente si hay suficiente aceite de herramientas neumáticas en el aceitero del conjunto de aire. Si no se mantiene una suficiente lubricación las juntas tóricas se desgastarán rápidamente. (Fig. 25) Mantenga la manguera de aire alejada del calor (más de 60°C, más de 140°F) y de sustancias químicas (disolvente, ácidos fuertes o alcalinos). Además, tienda la manguera alejada de obstáculos en los que pueda engancharse peligrosamente durante la operación. Las mangueras también deberán tenderse alejadas de cantos cortantes y áreas que puedan ocasionar daños o abrasión a la manguera. (Fig. 26)

Para conservar la SEGURIDAD y la FIABILIDAD del producto, los trabajos de reparación y otros trabajos de mantenimiento y ajuste deberán ser realizados en centros de servicio autorizados de Makita, utilizando siempre repuestos Makita.

ACCESORIOS

PRECAUCIÓN:

- Se recomienda el uso de estos accesorios o complementos con la herramienta Makita especificada en este manual. El uso de otros accesorios o complementos puede conllevar el riesgo de ocasionar daños corporales. Utilice los accesorios o complementos solamente para su fin establecido.

Si necesita cualquier ayuda para obtener más información relativa a estos accesorios, pregunte al centro de servicio Makita local.

- Clavos
- Mangueras de aire
- Gafas de seguridad

Ruido

ENG102-3

Niveles típicos de ruido ponderado A determinados conforme a EN792:

Nivel de presión de sonido (L_{pA}): 89 dB (A)

Nivel de potencia de sonido (L_{WA}): 102 dB (A)

Incertidumbre (K): 3 dB (A)

Utilice protección para los oídos.

Vibración

ENG233-2

Valor de emisión de vibraciones determinado de acuerdo con EN792:

Emisión de vibraciones (a_{h1}): 3,5 m/s²

Incertidumbre (K): 1,5 m/s²

Sólo para países europeos

ENH003-11

Declaración de conformidad de la CE

Nosotros, Makita Corporation, en calidad de fabricante responsable, declaramos que las siguientes máquinas Makita:

Designación de la máquina: Clavadora neumática para concreto

Nº de modelo/ Tipo: AN250HC

son de producción serie y

Cumplen con las siguientes Directivas europeas:

98/37/EC hasta el 28 de diciembre de 2009 y después con 2006/42/EC desde el 29 de diciembre de 2009

Y se han fabricado de acuerdo con los siguientes estándares o documentos estandarizados:

EN792

La documentación técnica la conserva nuestro representante autorizado en Europa, que es:

Makita International Europe Ltd.,
Michigan, Drive, Tongwell,
Milton Keynes, MK15 8JD, Inglaterra

13 de marzo de 2009



Tomoyasu Kato
Director

Makita Corporation
3-11-8, Sumiyoshi-cho,
Anjo, Aichi, JAPAN

Descrição geral

- | | | |
|--|--------------------------|-----------------------------------|
| 1. Óculos de protecção | 10. Gancho | 20. Placa de aço fina |
| 2. Visor de protecção | 11. Elemento de contacto | 21. Grau de perfuração no cimento |
| 3. Débito de ar por minuto do compressor | 12. Adaptador de ponta | 22. Tampa |
| 4. Frequência de pregagem | 13. Posição de BLOQUEIO | 23. Bujão |
| 5. Regulador | 14. Posição LIVRE | 24. Filtro de ar |
| 6. Demasiado profundo | 15. Alavanca de engate | 25. Lubrificador |
| 7. Alinhado | 16. Porta | 26. Óleo pneumático |
| 8. Demasiado superficial | 17. Canal do controlador | 27. Diluente |
| 9. Parafuso | 18. Gatilho | 28. Fogão |
| | 19. Peça de trabalho | |

ESPECIFICAÇÕES

Modelo	AN250HC
Pressão de ar	1,18 - 2,26 MPa (11,8 - 22,6 bar)
Comprimento dos pregos	19 mm - 25 mm Pino de bobina aglomerado
Capacidade de pregos	100 unidades
Diâmetro mínimo da mangueira	5 mm
Dimensões (C X L X A)	295 mm X 128 mm X 291 mm
Peso líquido	2,1 kg

- Devido à pesquisa e desenvolvimento constantes, estas especificações estão sujeitas a alteração sem aviso prévio.
- Estas especificações podem diferir de país para país.
- Peso de acordo com procedimento EPTA 01/2003

Utilização prevista ENE072-1
A ferramenta destina-se a fixar uma placa de aço fina no cimento.

INSTRUÇÕES DE SEGURANÇA IMPORTANTES

ENB115-1

AVISO: DURANTE A UTILIZAÇÃO DESTA FERRAMENTA, DEVEM SER CUMPRIDAS AS PRECAUÇÕES DE SEGURANÇA BÁSICAS, PARA REDUZIR O RISCO DE FERIMENTOS, INCLUINDO AS SEGUINTE:

LEIA TODAS AS INSTRUÇÕES.

1. Para garantir a segurança pessoal e um funcionamento e manutenção correctos da ferramenta, leia este manual de instruções antes de utilizar a ferramenta.
2. Use sempre óculos de segurança para proteger os seus olhos contra pó ou ferimentos devido aos pinos.
AVISO:
É da responsabilidade da entidade empregadora garantir o uso do equipamento de protecção para os olhos por parte dos operadores e outras pessoas perto da área de trabalho.
3. Apenas para a Austrália e Nova Zelândia
Use sempre óculos de segurança e o visor de protecção para proteger os seus olhos contra pó ou ferimentos devido aos pinos. Os óculos de segurança e o visor de protecção devem respeitar os requerimentos de AS/NZS 1336.

AVISO:

É da responsabilidade da entidade empregadora garantir o uso do equipamento de protecção para os olhos por parte dos operadores e outras pessoas perto da área de trabalho. **(Fig. 1)**

4. Use protecção para os ouvidos para os proteger contra os ruídos de trabalho e protecção para a cabeça. Use roupa leve mas não folgada. As mangas devem estar apertadas ou enroladas. Não devem ser usadas gravatas.
5. Fazer o trabalho à pressa ou forçar a ferramenta é perigoso. Segure com cuidado na ferramenta. Não utilize quando estiver sob a influência de álcool, medicamentos ou substâncias semelhantes.
6. Linhas orientadoras para a utilização da ferramenta:
 - (1) Presuma sempre que a ferramenta contém pregos.
 - (2) Não aponte a ferramenta na sua direcção ou de outra pessoa, independentemente de conter pregos ou não.
 - (3) Não active a ferramenta a não ser que a ferramenta seja colocada firmemente contra a peça de trabalho.
 - (4) Respeite a ferramenta como uma ferramenta de trabalho.
 - (5) Não é um brinquedo.
 - (6) Não segure ou transporte a ferramenta com um dedo no gatilho.
 - (7) Não carregue a ferramenta com pregos quando qualquer um dos comandos de funcionamento estiver activado.
 - (8) Não utilize a ferramenta com qualquer outra fonte de alimentação além da especificada nas

- instruções de funcionamento/segurança da ferramenta.
7. Não deve ser utilizada uma ferramenta que não funcione correctamente.
 8. Por vezes saltam faíscas quando a ferramenta é utilizada. Não utilize a ferramenta perto de materiais voláteis e inflamáveis, tais como gasolina, diluente, tinta, gás, adesivos, etc., uma vez que estes se incendiarão e explodirão, provocando ferimentos graves.
 9. A área deve estar suficientemente iluminada para garantir um funcionamento seguro. A área deve estar desimpedida e limpa. Tenha especial atenção em manter um bom apoio e equilíbrio.
 10. Apenas as pessoas envolvidas no trabalho se devem encontrar nas proximidades. As crianças devem estar sempre afastadas.
 11. Poderão existir normas locais relativamente ao ruído, que devem ser cumpridas mantendo os níveis de ruído dentro dos limites indicados. Em determinados casos, devem ser utilizados elementos de isolamento acústico.
 12. Não brinque com o elemento de contacto: evita o accionamento accidental, não devendo ser removido. Fixar o gatilho na posição ON (ligado) é igualmente muito perigoso. Nunca tente apertar o gatilho. Não utilize a ferramenta se qualquer parte dos comandos estiver inoperacional, desligada, alterada ou a funcionar incorrectamente.
 13. Utilize a ferramenta dentro da pressão de ar especificada de 1,18 - 2,26 MPa (11,8 - 22,6 bar) para garantir a segurança e uma maior longevidade da ferramenta. Não exceda a pressão de funcionamento máxima recomendada de 2,26 MPa (22,6 bar). A ferramenta não deve ser ligada a uma fonte em que a pressão exceda potencialmente 3,39 MPa (33,9 bar).
 14. Certifique-se de que a pressão fornecida pelo sistema de ar comprimido não excede a pressão máxima permitida da ferramenta de inserção de pregos. Ajuste inicialmente a pressão do ar para o valor mínimo da pressão permitida recomendada (consulte as ESPECIFICAÇÕES).
 15. Nunca use a ferramenta a não ser com ar comprimido. Se utilizar gás engarrafado (dióxido de carbono, oxigénio, nitrogénio, hidrogénio, ar, etc.) ou gás combustível (hidrogénio, propano, acetileno, etc.) como fonte de alimentação, a ferramenta explodirá causando ferimentos graves.
 16. Antes de utilizar, verifique sempre a condição geral da ferramenta e inspecione para ver se há parafusos soltos. Aperte-os como necessário.
 17. Certifique-se de que todos os sistemas de segurança estão a funcionar adequadamente antes de utilizar a ferramenta. A ferramenta não deve funcionar caso prima apenas o gatilho ou pressione apenas o elemento de contacto contra a madeira. Esta deve funcionar apenas ao executar ambas as acções. Faça um teste sem pinos e com o impulsor na posição de apertado para verificar se há problemas no funcionamento.
 18. Certifique-se de que o gatilho está travado quando a alavanca de bloqueio estiver na posição de travada (LOCK).
 19. Inspeccione cuidadosamente as paredes, tecto, pisos e telhados para evitar o risco de choque eléctrico, fuga de gás, explosões, etc. que podem resultar do contacto dos pregos com fios ligados, condutos ou canos de gás.
 20. Utilize apenas pinos especificados neste manual. A utilização de pinos diferentes pode causar o mau funcionamento da ferramenta.
 21. Nunca utilize pregadores marcados com a inscrição "Não utilizar em andaimes ou escadas" para aplicações específicas, por exemplo:
 - quando ao mudar de uma posição de trabalho para outra for preciso utilizar andaimes, degraus, escadas usadas em construção, por exemplo, ripas de telhado;
 - ao fechar caixas ou engradados;
 - ao fixar sistemas de segurança de transporte, por exemplo, em veículos ou vagões.
 22. Não permita que pessoas não familiarizadas utilizem a ferramenta.
 23. Assegure-se de que não há ninguém nas proximidades antes de introduzir pinos. Nunca tente introduzir pinos a partir do interior e exterior ao mesmo tempo, os pinos podem atravessar e/ou serem projectados, apresentando um perigo grave.
 24. Tenha cuidado e mantenha-se numa posição firme e equilibrada durante a utilização da ferramenta. Certifique-se de que ninguém está por baixo quando trabalhar em locais altos e fixe a mangueira de ar para evitar acidentes caso a mesma se enrosque em algo ou haja um movimento brusco e súbito.
 25. Ao trabalhar em telhados ou outros locais altos, introduza pinos movendo-se para a frente. É fácil perder o equilíbrio se introduzir pinos movendo-se para trás. Quando está a introduzir pinos contra superfícies perpendiculares, introduza-os de cima para baixo. Assim, poderá executar a operação de introdução de pinos com menos cansaço.
 26. O pino poderá entortar-se ou a ferramenta poderá encravar se introduzir um pino sobre outro por engano ou se atingir um nó da madeira. O pino poderá sair disparado e atingir alguém ou a própria ferramenta pode reagir de modo perigoso. Coloque os pinos com cuidado.
 27. Não deixe a ferramenta carregada ou o compressor de ar com pressão sob o sol durante muito tempo. Certifique-se de que poeira, areia, pedaços de madeira ou outros objectos estranhos não entram na ferramenta onde a deixar.
 28. Não aponte a porta de ejeção a ninguém que se encontre nas proximidades. Mantenha as mãos e os pés afastados da área da porta de ejeção.
 29. Se a mangueira de ar estiver conectada, não transporte a ferramenta com o dedo no gatilho nem a entregue a alguém nessa condição. O disparo accidental pode ser extremamente perigoso.
 30. Manuseie a ferramenta com cuidado dado que há pressão muito alta dentro da mesma e pode ser perigoso se houver uma fissura causada por um manuseamento impróprio (derrubar ou bater a mesma). Não tente entalhar ou esculpir na ferramenta.

31. Pare de introduzir pinos imediatamente se notar qualquer problema ou algo anormal com a ferramenta.
32. Desligue sempre a mangueira de ar e retire todos os pinos:
 1. Quando sem vigilância.
 2. Antes de efectuar qualquer operação de manutenção ou reparação.
 3. Antes de eliminar qualquer obstrução.
 4. Antes de levar a ferramenta para um novo local.
33. Efectue a limpeza e a manutenção logo após terminar o trabalho. Mantenha a ferramenta em óptimas condições. Lubrifique as peças giratórias para evitar que fiquem enferrujadas e para minimizar o desgaste devido à fricção. Limpe a poeira das peças.
34. Quando não está a utilizar a ferramenta, trave sempre o gatilho girando a alavanca de bloqueio para a posição de travada (LOCK).
35. Não modifique a ferramenta sem autorização prévia da Makita.
36. Solicite a inspecção periódica da ferramenta nos centros de assistência autorizada Makita.
37. Para manter os níveis de SEGURANÇA e FIABILIDADE definidos para este produto, as reparações e operações de manutenção devem ser executadas por centros de assistência Makita autorizados, utilizando sempre peças de substituição da Makita.
38. Utilize apenas o lubrificante para ferramentas pneumáticas especificado neste manual.
39. Nunca ligue a ferramenta a um linha de ar comprimido na qual a pressão máxima permitida da ferramenta não possa ser excedida em 10 %. Certifique-se de que a pressão fornecida pelo sistema de ar comprimido não excede a pressão máxima permitida da ferramenta de inserção de pregos. Ajuste inicialmente a pressão do ar para o valor mínimo de pressão permitida recomendada.
40. Não tente manter o elemento de contacto do gatilho pressionado com fita-cola ou fios. Pode provocar morte ou ferimentos graves.
 - Verifique sempre o elemento de contacto conforme indicado neste manual. Os pinos podem ser introduzidos acidentalmente se o mecanismo de segurança não estiver a funcionar correctamente.

GUARDE ESTAS INSTRUÇÕES.

INSTALAÇÃO

Seleção do compressor (Fig. 2)

O compressor de ar deve cumprir os requisitos da norma EN60335-2-34.

Selecione um compressor que tenha ampla pressão e débito de ar para garantir uma operação com eficiência de custo. O gráfico ilustra a relação entre a frequência de introdução de pinos, pressão aplicável e débito do ar comprimido.

Por exemplo, se a introdução de pinos ocorrer a uma taxa de aproximadamente 15 vezes por minuto, a uma compressão de 1,76 MPa (17,6 bar), é necessário um compressor com saída de ar de 70 litros/minuto.

Se a pressão do ar fornecido exceder a pressão indicada na ferramenta, será necessário utilizar reguladores de pressão para limitar a pressão do ar de acordo com a pressão indicada para a ferramenta. Caso contrário, poderá resultar em ferimentos graves no operador da ferramenta ou em outras pessoas nas proximidades.

Seleção da mangueira de ar (Fig. 3)

Utilize uma mangueira de ar robusta e de alta pressão. Utilize uma mangueira de ar tão larga e tão curta quanto possível para garantir uma operação contínua e eficiente.

PRECAUÇÃO:

- Um débito de ar reduzido do compressor ou uma mangueira de ar longa e com diâmetro pequeno em relação à frequência de introdução de pinos pode diminuir a capacidade de funcionamento da ferramenta.

Lubrificação (Fig. 4)

Para garantir o máximo desempenho, instale um conjunto de ar (recipiente de óleo, regulador e filtro de ar) o mais próximo possível da ferramenta. Ajuste o lubrificador de forma que forneça uma gota de óleo para cada 30 pinos. (Fig. 5)

Se não utilizar um conjunto de ar, lubrifique a ferramenta com lubrificante para ferramentas pneumáticas colocando duas ou três gotas no conector de ar. Isto deve ser feito antes e após a utilização. Para uma lubrificação adequada, a ferramenta deve ser accionada algumas vezes após a colocação do lubrificante para ferramentas pneumáticas.

DESCRIÇÃO DO FUNCIONAMENTO

PRECAUÇÃO:

- Desligue sempre a mangueira de ar antes de regular ou verificar o funcionamento da ferramenta.

Ajustar a profundidade de introdução de pinos

PRECAUÇÃO:

- Desligue sempre a mangueira de ar antes de regular a profundidade de introdução de pinos. (Fig. 6 e 7)

Se os pinos penetrarem em demasia, rode o regulador para a direita. Se os pinos penetrarem pouco, rode o regulador para a esquerda.

O intervalo ajustável é 10 mm. (Uma volta completa permite uma regulação de 0,8 mm.)

Gancho

PRECAUÇÃO:

- Desligue sempre a mangueira quando pendurar a ferramenta através do gancho.
- Nunca pendure a ferramenta num cinto ou algo do género. Pode resultar em disparo acidental perigoso. (Fig. 8)

O gancho é muito útil para pendurar a ferramenta temporariamente. Pode ser instalado de qualquer dos lados.

Quando mudar a posição de instalação, retire o parafuso com uma chave de fendas. Coloque o gancho no outro

lado para a instalação e, de seguida, fixe-o com o parafuso.

Coloque o gancho no outro lado para a instalação e, de seguida, fixe-o com o parafuso.

Utilize o adaptador de ponta

PRECAUÇÃO:

- Desligue sempre o tubo flexível antes de instalar ou retirar o adaptador de ponta. (Fig. 9)

Se gostar de evitar a mudança de pontos de introdução devido a deslizamento na peça de trabalho, encaixe o adaptador de ponta do elemento de contacto.

Normalmente, utilize um dos dois adaptadores de ponta A (transparente), um pré-instalado no elemento de contacto e o outro guardado abaixo da pega.

Quando trabalhar em locais estreitos, utilize um dos dois adaptadores de ponta B (preto) que são fornecidos com a fornecida na caixa de cartão.

Para encaixar o adaptador de ponta no elemento de contacto, pressione-o ao máximo contra o elemento de contacto.

Bloquear o gatilho

Este pregador é fornecido com o mecanismo para bloquear o gatilho de modo a evitar ferimentos pessoais e danos materiais causados pelo funcionamento incorrecto durante uma operação que não a de introdução de pinos. (Fig. 10)

Ajuste o manípulo de mudança para a posição LOCK (Bloqueio) para bloquear o gatilho. (Fig. 11)

Antes de introduzir pinos, ajuste o manípulo de mudança para a posição FREE (Livre). Quando NÃO estiver a introduzir pinos, certifique-se de que ajusta o manípulo de mudança para a posição LOCK (Bloqueio) e desligue a mangueira de ar.

MONTAGEM

PRECAUÇÃO:

- Desligue sempre a mangueira de ar antes de carregar o pregador.

Carregar o pregador (Fig. 12)

Desligue a mangueira de ar da ferramenta. Selecione os pinos de acordo com o trabalho. Prima a alavanca de engate e abra a porta e a tampa do carregador. (Fig. 13) Coloque a bobina de pinos no carregador. Desbobine pinos suficientes para chegar ao guia de pinos. Coloque o primeiro pino no alimentador e o segundo pino na garra de alimentação. Coloque os pinos não desenrolados no corpo do alimentador. Feche lentamente a tampa do carregador até bloquear depois de se certificar que a bobina de pinos está devidamente colocada no carregador.

Ligar a mangueira de ar

Introduza a entrada de ar da mangueira de ar no conector de ar do pregador. Certifique-se de que a entrada de ar fica bem bloqueada no lugar quando instalada no conector de ar.

FUNCIONAMENTO

PRECAUÇÃO:

- Certifique-se de que ajusta o manípulo de mudança para a posição LOCK (Bloqueio) para evitar accionamentos inesperados quando a ferramenta não é utilizada.
- Certifique-se de que todos os sistemas de segurança estão a funcionar adequadamente antes de utilizar a ferramenta. (Fig. 14)

Premir simplesmente o gatilho sem o elemento de contacto estar em contacto com a peça de trabalho, não acciona a ferramenta. (Fig. 15)

Apenas o elemento de contacto em contacto com a peça de trabalho, sem premir o gatilho, não acciona a ferramenta. (Fig. 16)

O pregador destina-se apenas a introdução intermitente dos pinos. A introdução intermitente de pinos é um método de introduzir pinos, peça a peça, da seguinte forma.

1. Ajuste o manípulo de mudança para a posição FREE (Livre).
2. Coloque o elemento de contacto contra a peça de trabalho.
3. E, de seguida, puxe o gatilho.

Introdução de pinos no cimento

AVISO:

- Utilize apenas pinos endurecidos para o cimento. Utilizar pinos destinados a outros fins pode causar ferimentos graves. Não introduza pinos directamente no cimento. O incumprimento disto pode causar a projecção de fragmentos de cimento ou o recuo dos pinos, causando ferimentos graves.
- Quando introduzir pinos, segure a ferramenta perpendicularmente à superfície de introdução. Introduzir pinos com a ferramenta inclinada pode causar a projecção de fragmentos de cimento ou o recuo dos pinos, causando ferimentos graves.
- Não utilize na superfície que suporta os objectos, como a área onde os suportes para o tubo de esgoto, tubo de pó etc. estão instalados. Escolha e utilize pinos de modo a que o grau de perfuração no cimento se encontre entre 15 mm - 20 mm. (Fig. 17)

PRECAUÇÃO:

- Utilize esta ferramenta apenas para cimento macio instalado recentemente. Utilizar no cimento duro pode causar deformação dos pinos ou introdução de pinos com profundidade insuficiente.
- Quando o grau de perfuração no cimento tiver de ser superior a 20 mm, a introdução de pinos até à profundidade pretendida pode não ser obtida. Os pinos podem ser pouco introduzidos causando instabilidade na peça de trabalho, o que resulta em ferimentos pessoais e danos materiais.

Cortar a tira

PRECAUÇÃO:

- Desligue sempre a mangueira antes de cortar a tira. (Fig. 18)

Rasgue a tira de saída na direcção da seta quando utilizar a tira de pinos.

MANUTENÇÃO

PRECAUÇÃO:

- Desligue sempre a mangueira de ar da ferramenta antes de tentar executar qualquer inspeção ou manutenção.

Máquina de pregar encravada

PRECAUÇÃO:

- Desligue sempre a mangueira de ar e retire os pinos do carregador antes de desobstruir a ferramenta.

(Fig. 19 e 20)

Se o pregador ficar encravado, efectue o seguinte:

Abra a tampa do carregador e retire a bobina de pinos. Insira uma haste pequena ou algo semelhante na porta de ejeção e bata de leve na mesma com um martelo para retirar o pino encravado da porta de ejeção. Volte a colocar a bobina de pinos e feche a tampa do carregador.

Drenar a ferramenta (Fig. 21)

Retire a mangueira da ferramenta. Coloque a ferramenta de forma a que a saída de ar fique virada para o chão. Purgue o máximo de ar possível.

Limpar a ferramenta

Retire o pó que adere à ferramenta utilizando um soprador de ar.

Tampa (Fig. 22)

Quando não estiver em utilização, desligue a mangueira. De seguida, tape o conector de ar com a tampa.

Armazenamento

Quando não estiver em utilização deve ser guardada num local quente e seco.

Manutenção do compressor, conjunto de ar e mangueira de ar. (Fig. 23 e 24)

Após utilizar, drene sempre o tanque do compressor e o filtro de ar. Se entrar humidade na ferramenta, poderá afectar o desempenho ou causar falha da ferramenta.

Inspeccione regularmente para ver se há lubrificante para ferramentas pneumáticas suficiente no lubrificador do conjunto de ar. Se a lubrificação não for suficiente, os anéis em O ficarão rapidamente desgastados. (Fig. 25)

Mantenha a mangueira de ar afastada de calor (acima de 60°C ou 140°F) e de produtos químicos (diluentes, ácidos fortes ou álcalis). Além disso, coloque a mangueira longe de obstáculos nos quais a mesma possa ser presa perigosamente durante a utilização. As mangueiras também devem ser direccionadas para longe de arestas aguçadas ou áreas que possam causar danos ou abrasão. (Fig. 26)

Para manter os níveis de SEGURANÇA e FIABILIDADE definidos para este produto, as reparações e os procedimentos de manutenção ou ajustes devem ser executados por centros de assistência Makita autorizados, utilizando sempre peças de substituição Makita.

ACESSÓRIOS

PRECAUÇÃO:

- Os seguintes acessórios ou extensões são os recomendados para utilizar com a ferramenta Makita

especificada neste manual. A utilização de outros acessórios ou extensões podem provocar ferimentos.

Utilize cada acessório ou extensão apenas para o fim indicado.

Se precisar de informações adicionais relativas aos acessórios, contacte o centro local de assistência Makita.

- Pinos
- Mangueiras de ar
- Óculos protectores

Ruído

ENG102-3

Os níveis acústicos ponderados A típicos foram determinados segundo a EN792:

Nível de pressão sonora (L_{pA}): 89 dB (A)

Nível de potência sonora (L_{WA}): 102 dB (A)

Imprecisão (K): 3 dB (A)

Use protecção para os ouvidos.

Vibração

ENG233-2

O valor de emissão de vibração determinado de acordo com EN792:

Emissão de vibração (a_{h1}): 3,5 m/s²

Imprecisão (K): 1,5 m/s²

Apenas para os países europeus

ENH003-11

Declaração de conformidade CE

A Makita Corporation, na qualidade do fabricante responsável, declara que a(s) máquina(s) Makita seguinte(s):

Designação da máquina: Pregador pneumático para concreto

N.º de modelo/Tipo: AN250HC

são produzidas em série e

estão em conformidade com as Directivas Europeias seguintes:

98/37/EC até 28 de Dezembro de 2009 e, de seguida, com a 2006/42/EC a partir de 29 de Dezembro de 2009

E são fabricadas de acordo com as normas ou os documentos padronizados seguintes:

EN792

A documentação técnica é mantida pelo nosso representante autorizado na Europa, que é:

Makita International Europe Ltd.,
Michigan, Drive, Tongwell,
Milton Keynes, MK15 8JD, Inglaterra

13 de Março de 2009



Tomoyasu Kato
Director

Makita Corporation
3-11-8, Sumiyoshi-cho,
Anjo, Aichi, JAPAN

Forklaring til generel oversigt

1. Beskyttelsesbriller	10. Krog	20. Tynd stålplade
2. Ansigtsskærm	11. Kontaktelement	21. Sømmedybde i beton
3. Afgivelse af kompressorluft pr. minut	12. Spidsadapter	22. Hætte
4. Sømningsfrekvens	13. LÅST-position	23. Drænhane
5. Justeringsenhed	14. FRI-position	24. Luftfilter
6. For dybt	15. Håndtag til holdemekanisme	25. Smøreneppel
7. Flugter	16. Dør	26. Trykluftsolie
8. For lidt	17. Drivkanal	27. Fortynder
9. Skruer	18. Afbryderkontakt	28. Ovn
	19. Arbejdsemne	

SPECIFIKATIONER

Model	AN250HC
Luftryk	1,18 - 2,26 MPa (11,8 - 22,6 bar)
Sømlængde	19 - 25 mm Bådede stifter
Sømkapacitet	100 stk.
Mindste slangediameter	5 mm
Størrelse (L X B X H)	295 mm X 128 mm X 291 mm
Nettovægt	2,1 kg

- På grund af vores løbende forsknings- og udviklingsprogram kan specifikationerne heri ændres uden forudgående varsel.
- Specifikationerne kan variere fra land til land.
- Vægt i henhold til EPTA-Procedure 01/2003

Tilsigtet brug

ENE072-1

Dette værktøj er beregnet til fastgøring af en tynd stålplade på beton.

VIGTIGE SIKKERHEDSINSTRUKTIONER

ENB115-1

ADVARSEL: UNDER ANVENDELSEN AF VÆRKTØJET SKAL DU ALTID OVERHOLDE DE GRUNDLÆGGENDE SIKKERHEDSFORANSTALTNINGER FOR AT MINDSKE RISIKOEN FOR PERSONSKADE, INKLUSIVE FØLGENDE:

LÆS ALLE INSTRUKTIONER.

1. Af hensyn til din personlige sikkerhed og for at sikre korrekt brug og vedligeholdelse af værktøjet skal du læse denne brugsanvisning, før du anvender værktøjet.
2. Bær altid beskyttelsesbriller for at beskytte øjnene mod støv eller skader forårsaget af stifter.
ADVARSEL:
Det er arbejdsgiverens ansvar at påbyde brug af beskyttelsesudstyr til øjnene af brugerne af værktøjet samt af andre personer i arbejdsområdet.
3. Gælder kun Australien og New Zealand
Bær altid beskyttelsesbriller og ansigtsskærm for at beskytte øjnene mod støv eller skader forårsaget af stifter. Beskyttelsesbrillerne og ansigtsskærmen skal være i overensstemmelse med AS/NZS 1336.

ADVARSEL:

Det er arbejdsgiverens ansvar at påbyde brug af beskyttelsesudstyr til øjnene af brugerne af værktøjet samt af andre personer i arbejdsområdet. (Fig. 1)

4. Bær høreværn for at beskytte hørelsen mod udstødningsstøj, og bær desuden hovedbeskyttelse. Bær også let, men ikke løs beklædning. Ærmer skal være knappet eller rullet op. Undlad at bære slips.
5. Det er farligt at arbejde forhastet eller bruge magt på værktøjet. Håndter værktøjet forsigtigt. Undlad at benytte det, hvis du er påvirket af alkohol, medicin eller lignende.
6. Generelle retningslinjer for brug af værktøjet:
 - (1) Gå altid ud fra, at værktøjet indeholder befæstelseselementer.
 - (2) Ret ikke værktøjet mod dig selv eller andre, uanset om det indeholder befæstelseselementer eller ej.
 - (3) Aktiver ikke værktøjet, medmindre det er placeret fast mod arbejdsemnet.
 - (4) Hav respekt for værktøjet som værende et arbejdsredskab.
 - (5) Undlad at lege med værktøjet.
 - (6) Undlad at holde eller bære værktøjet med en finger på afbryderkontakten.
 - (7) Undlad at sætte befæstelseselementer i værktøjet, mens en af betjeningskontrollerne er aktiveret.
 - (8) Undlad at betjene værktøjet med en anden strømkilde end den, der er angivet i værktøjets betjenings- og sikkerhedsinstruktioner.
7. Anvend ikke værktøjet, hvis det ikke fungerer korrekt.
8. Der kan forekomme gnister, når værktøjet anvendes. Undlad at anvende værktøjet i nærheden af flygtige,

- brændbare materialer som benzin, fortynder, maling, gas, klæbemidler osv. De kan antændes og eksplodere og forårsage alvorlig personskade.
9. Arbejdsområdet skal være tilstrækkeligt oplyst til at sikre forsvarlig anvendelse. Området skal være rent og frit for affald. Sørg især for at sikre godt fodfæste og god balance.
 10. Kun personer, der deltager i arbejdet, må opholde sig i nærheden. Især må børn ikke komme i nærheden.
 11. Der kan gælde lokal lovgivning vedrørende støj, som skal overholdes for at holde støjniveauet inden for de lovmæssige grænser. I nogle tilfælde skal der benyttes skodder til at dæmpe støjen.
 12. Undlad at pille ved kontaktelementet. Det forhindrer udladning ved uheld, og det skal derfor forblive monteret og må ikke fjernes. Det er også meget farligt at fastlåse afbryderkontakten i ON-stillingen. Forsøg aldrig at fastlåse afbryderkontakten. Undlad at betjene værktøjet, hvis nogen del af værktøjets betjeningskontroller ikke kan benyttes, er deaktiveret, ændret eller ikke fungerer korrekt.
 13. Anvend værktøjet med det angivne lufttryk på 1,18 - 2,26 MPa (11,8 - 22,6 bar) af sikkerhedshensyn og for at forlænge værktøjets levetid. Undlad at overskride det anbefalede maksimale driftstryk på 2,26 MPa (22,6 bar). Værktøjet må ikke sluttes til en kilde, hvis tryk kan overskride 3,39 MPa (33,9 bar).
 14. Sørg for, at det tryk, som luftkompressorsystemet leverer, ikke overskrider værktøjets maksimalt tilladte tryk. Indstil først lufttrykket til den laveste værdi for det anbefalede tilladte tryk (se under SPECIFIKATIONER).
 15. Brug aldrig værktøjet sammen med andet end komprimeret luft. Hvis der benyttes flaskegas (kuldioxid, ilt, nitrogen, brint, luft osv.) eller brændbar gas (brint, propan, acetylen osv.) som drivmiddel til værktøjet, kan værktøjet eksplodere og forårsage alvorlig personskade.
 16. Kontroller altid værktøjets generelle tilstand, og se efter løse skruer før brugen. Stram til efter behov.
 17. Sørg for, at alle sikkerhedssystemer fungerer, før anvendelsen. Værktøjet må ikke fungere, hvis der kun trækkes i afbryderkontakten, eller blot ved at kontaktarmen trykkes mod træet. Det må kun fungere, når begge disse handlinger udføres. Kontroller for eventuel fejlfunktion uden stifter i værktøjet og med trykanordningen i fuldt indtrykket position.
 18. Sørg for, at afbryderkontakten er låst, når låsearmen er indstillet til LÅST-positionen.
 19. Kontroller vægge, lofter, gulve, tage og lignende omhyggeligt for at undgå risiko for elektrisk stød, gasudsvingning, eksplosioner osv. ved at ramme strømførende ledninger, vandledninger eller gasrør.
 20. Brug kun de stifter, der er angivet i denne brugsanvisning. Brug af andre stifter kan medføre funktionsfejl på værktøjet.
 21. Anvend aldrig sømpistoler, der er mærket med symbolet "Må ikke anvendes på stilladser, stiger" til bestemte formål, f.eks.:
 - Ved skift fra et arbejdssted til et andet, der involverer brug af stilladser, trapper, stiger eller stigelignende konstruktioner som f.eks. tagløgter.
 - Lukning af kasser eller tremmekasser.
 - Montering af transportsikkerhedssystemer, f.eks. på biler og vogne.
 22. Lad ikke uøvede personer benytte værktøjet.
 23. Sørg for, at der ikke er andre i nærheden, før du begynder at skyde stifter i. Forsøg aldrig at skyde stifter i både indefra og udefra på samme tid, eftersom stifterne kan gå helt igennem og/eller flyve væk, hvilket udgør en alvorlig fare.
 24. Vær opmærksom på fodfæstet, og hold balancen med værktøjet. Sørg for, at der ikke er nogen under dig, når du arbejder på højtliggende steder, og fastgør luftslangen for at forebygge farlige situationer i tilfælde af pludselige ryk eller ved fastklemning.
 25. På tage og andre højtliggende steder skal du skyde stifter i, efterhånden som du bevæger dig fremad. Du risikerer at miste fodfæstet, hvis du skyder stifter i, mens du går baglæns. Når du skyder stifter i lodrette overflader, skal du skyde stifterne i oppefra og nedefter. På denne måde kan du skyde stifter i uden at blive træet.
 26. En stift kan blive bøjet eller sidde fast i værktøjet, hvis du ved en fejltagelse skyder en stift oven i en anden stift eller rammer en knast i træet. Stiften kan blive slynget ud og ramme personer, eller selve værktøjet kan reagere på en farlig måde. Vær omhyggelig med placeringen af stifter.
 27. Undlad at lade værktøjet med stifter eller luftkompressoren under tryk ligge i solen i længere tid. Sørg for, at støv, sand, spåner og fremmedlegemer ikke kan komme ind i værktøjet på det sted, du efterlader det.
 28. Ret ikke udstødsporten mod personer i nærheden. Hold hænder og fødder borte fra området omkring udstødsporten.
 29. Undlad at bære værktøjet med fingeren på afbryderkontakten eller at række det til andre i denne tilstand, når luftslangen er tilsluttet. Utilsiget affyring kan være ekstremt farlig.
 30. Hånder værktøjet forsigtigt, da der er højtryk inde i værktøjet, som kan være farlig, hvis hårdhændet behandling (stød eller slag) forårsager revner. Forsøg ikke at snitte eller gravere i værktøjet.
 31. Stop arbejdet øjeblikkeligt, hvis du bemærker fejlfunktion eller noget unormalt ved værktøjet.
 32. Tag altid luftslangen ud, og fjern alle stifterne:
 1. Når værktøjet efterlades uden opsyn.
 2. Før du udfører vedligeholdelse eller reparation.
 3. Før du fjerner fastklemte stifter.
 4. Før værktøjet transporteres til et andet sted.
 33. Udfør rengøring og vedligeholdelse, umiddelbart efter at du er færdig med arbejdet. Hold værktøjet i perfekt stand. Smør bevægelige dele for at forebygge rust og slid som følge af friktion. Tør alt støv bort fra delene.
 34. Når værktøjet ikke benyttes, skal du altid låse afbryderkontakten ved at dreje låsearmen til LÅST-positionen.
 35. Undlad at ændre værktøjet uden godkendelse fra Makita.
 36. Bed Makitas autoriserede servicecentre om at udføre regelmæssigt eftersyn af værktøjet.
 37. For at holde produktet SIKKERT og PÅLIDELIGT skal vedligeholdelse udføres af autoriserede Makita-servicecentre, og der skal benyttes Makita reservedele.

38. Brug kun olie til trykluftsværktøj, der er angivet i denne brugsanvisning.
39. Slut aldrig værktøjet til en luftkompressionsledning, hvis værktøjets maksimalt tilladte tryk ikke må overstiges med 10 %. Sørg for, at det tryk, som luftkompressorsystemet leverer, ikke overskrider værktøjets maksimalt tilladte tryk. Indstil først lufttrykket til den laveste værdi for det anbefalede tilladte tryk.
40. Forsøg ikke at holde afbryderkontakten nede ved hjælp af tape eller ståltråd. Det kan afstedkomme dødsfald eller alvorlig personskade.
- Kontroller altid kontaktelelementet som beskrevet i denne brugsanvisning. Der kan affyres stifter ved et uheld, hvis sikkerhedsmekanismen ikke fungerer korrekt.

GEM DISSE INSTRUKTIONER.

MONTERING

Valg af kompressor (Fig. 2)

Luftkompressoren skal overholde kravene i EN60335-2-34.

Vælg en kompressor med tilstrækkeligt tryk og luftudgang til at sikre en effektiv drift. Grafen viser forholdet mellem sømningsfrekvens, anvendt tryk og kompressorens luftudgang.

Hvis du skyder stifter i med f.eks. en hastighed på cirka 15 gange i minuttet ved en kompression på 1,76 MPa (17,6 bar), skal der anvendes en kompressor med en luftudgang på mere end 70 liter/minut.

Der skal benyttes trykregulatorer til at begrænse lufttrykket til værktøjets nominelle tryk, hvis luftforsyningens tryk overskrider værktøjets nominelle tryk. Undladelse af dette kan medføre alvorlig personskade på operatøren eller personer i nærheden.

Valg af luftslange (Fig. 3)

Brug en luftslange der kan klare højt tryk. Anvend en luftslange, der er så tyk og så kort som muligt, for at sikre kontinueret og effektivt stift-idrivningsarbejde.

FORSIGTIG:

- En for lav luftudgang fra kompressoren eller en for lang eller tynd luftslinge i forhold til sømningsfrekvensen kan reducere værktøjets idrivningskapacitet.

Smøring (Fig. 4)

For at sikre maksimal ydelse skal der monteres et luftsæt (smørenippel, regulator, luftfilter) så tæt på værktøjet som muligt. Juster smørenippen, så der tilføres en dråbe olie for hver 30 stifter. (Fig. 5)

Hvis der ikke anvendes et luftsæt, skal du smøre værktøjet med olie til lufttrykvrærktøj ved at tilføre to eller tre dråber i lufttilslutningen. Gør dette før og efter brugen. For at sikre korrekt smøring skal værktøjet affyres nogle gange, efter at olien til lufttryksværktøj er tilført.

FUNKTIONSBESKRIVELSE

FORSIGTIG:

- Tag altid luftslangen ud, før værktøjet justeres, eller dets funktionsevne tjekkes.

Justering af stift-idrivningsdybden

FORSIGTIG:

- Tag altid slangen ud, før stift-idrivningsdybden afjusteres. (Fig. 6 og 7)

Hvis stifterne skydes for dybt ind, skal justeringsenheden justeres med uret. Hvis stifterne skydes for lidt ind, skal justeringsenheden justeres med uret. Justeringsområdet er 10 mm. (En fuld omdrejning giver en justering på 0,8 mm.)

Krogen

FORSIGTIG:

- Frakobl altid slangen når du hænger værktøjet i krogen.
 - Hæng aldrig værktøjet i et bælte eller lignende. Der er risiko for farlig utilsigtet aktivering af værktøjet. (Fig. 8)
- Krogen er praktisk til midlertidigt at hænge værktøjet i. Denne krog kan monteres på begge sider af værktøjet. Når du ændrer monteringspositionen, skal du fjerne skruen med en skruetrækker. Monter krogen på den anden side og fastgør den derefter med skruen. Monter krogen på den anden side og fastgør den derefter med skruen.

Brug af spidsadapteren

FORSIGTIG:

- Frakobl altid slangen før montering eller afmontering af spidsadapteren. (Fig. 9)

Hvis du vil undgå at idrivningspunktet ændres pga., at værktøjet skrider på arbejdsemnet, skal du montere kontaktelelementets spidsadapter.

Du bør normalt bruge en af de to spidsadaptere A (gennemsigtige), den ene monteret på kontaktelelementet fra fabrikken og den anden placeret under grebet.

Ved arbejde på smalle opdelingsspor bruges den ene af de to spidsadaptere B (sorte), der ligger i værktøjets papkasse.

Du kan montere spidsadapteren på kontaktelelementet ved at trykke den ind på kontaktelelementet så langt den kan komme.

Låsning af afbryderkontakten

Denne sømpistol er udstyret med en låsemekanisme til afbryderkontakten for at undgå personskader og materielle skader forårsaget af forkert betjening under stift-idrivningsarbejdet. (Fig. 10)

Indstil skiftearmen til LAST-positionen for at låse afbryderkontakten. (Fig. 11)

Inden idrivning af stifter indstilles skiftearmen til FRI-positionen. Når du IKKE idriver stifter, skal du sørge for at indstille skiftearmen til LAST-positionen og frakoble luftslangen.

MONTERING

FORSIGTIG:

- Tag altid luftslangen ud, inden der sættes stifter i sømpistolen.

Isætning af stifter i sømpistolen (Fig. 12)

Frakobl altid luftslangen fra værktøjet. Vælg stifter, der passer til arbejdet. Tryk håndtaget til holdemekanismen ned, og åbn døren og magasindækslet. (Fig. 13)

Placer båndet med stifterne i magasinet. Udrul tilstrækkelig med stifter, så de når hen til stiftstyret. Placer den første stift i fremføreren og den anden stift i fremføringsgribere. Placer andre udrullede stifter på fremføringsdelen. Luk forsigtigt magasindækslet indtil det låses, når du har kontrolleret, at stiftbåndet er sat korrekt i magasinet.

Tilslutning af luftslange

Anbring luftbøsningen på luftslangen over lufttilslutningen på sømpistolen. Sørg for, at luftbøsningen låses fast på plads, når den monteres på lufttilslutningen.

BETJENING

FORSIGTIG:

- Sørg for at indstille skiftearmen til LÅST-positionen for at undgå utilsigtet affyring, når værktøjet ikke er i brug.
- Sørg for, at alle sikkerhedssystemer fungerer, før anvendelsen. (Fig. 14)

Aktivering af afbryderkontakten alene uden at kontaktelementet er i kontakt med arbejdsemnet må ikke udløse affyring af værktøjet. (Fig. 15)

Det alene at kontaktelementet er i kontakt med arbejdsemnet, uden afbryderkontakten er trukket, må ikke udløse affyring af værktøjet. (Fig. 16)

Denne sømpistol er til intermitterende stift-idrivning.

Intermitterende stift-idrivning er en metode til fastgørelse stykke for stykke vha. følgende trin.

1. Indstil skiftearmen til FRI-positionen.
2. Placer kontaktelementet mod arbejdsemnet.
3. Tryk derefter på afbryderkontakten.

Fastgørelse af beton

ADVARSEL:

- Brug kun hærdede stifter til beton. Brug af stifter til andre formål kan forårsage alvorlige skader. Søm ikke direkte på betonen. Hvis du ikke gør det, kan det medføre at der ryger betonstykker af, eller at stifterne slås tilbage og forårsager alvorlige skader.
- Når du skyder stifter i, skal du holde værktøjet, så det står lodret ud fra overfladen. Skrå stift-idrivning kan medføre, at der ryger betonstykker af, eller at stifterne slås tilbage og forårsager alvorlige skader.
- Værktøjet må ikke bruges på flader, der er hængt genstande på, som f.eks. et område hvor der er opsat kloakrør, støvrør osv. Vælg og brug stifter som når mellem 15 mm - 20 mm ind i betonen. (Fig. 17)

FORSIGTIG:

- Brug kun dette værktøj til forholdsvis nyopbygget blød beton. Bruges værktøjet på hård beton kan det medføre at stifterne bøjer, eller de ikke sømmes tilstrækkeligt dybt ind.
- Når der kræves en sømmedybde på mere end 20 mm, kan stifterne måske ikke længere skydes i til den tilstrækkelige dybde. Hvis stifterne skydes for lidt ind, kan det medføre et ustabilt arbejdsemne, hvilket kan forårsage personskader og materielle skader.

Afrivning af båndet

FORSIGTIG:

- Frakobl altid slangen inden båndet rives af. (Fig. 18) Riv det brugte bånd af i pilens retning, når du bruger bandede stifter.

VEDLIGEHOLDELSE

FORSIGTIG:

- Tag altid luftslangen ud af værktøjet, før du forsøger at udføre inspektion eller vedligeholdelse.

Blokering i sømpistolen

FORSIGTIG:

- Frakobl altid luftslangen, og fjern stifterne fra magasinet før en blokering afhjælpes. (Fig. 19 og 20)

Gør følgende, hvis sømpistolen sætter sig fast:

Åbn magasindækslet, og fjern sømrollen. Sæt en lille stang eller lignende ind i udstødsporten, og bank let på den med en hammer for at skubbe den stoppede stift ud fra udstødsporten. Sæt sømrollen tilbage og luk magasindækslet.

Dræn værktøjet (Fig. 21)

Fjern slangen fra værktøjet. Placer værktøjet sådan at lufttilslutningen vender nedad mod gulvet. Dræn værktøjet så meget som muligt.

Rengøring af værktøjet

Blæs støv, der sidder fast på værktøjet, af med trykluft.

Hætte (Fig. 22)

Fjern slangen når værktøjet ikke er i brug. Luk derefter lufttilslutningen med hættten.

Opbevaring

Når sømpistolen ikke er i brug, skal den opbevares på et varmt og tørt sted.

Vedligeholdelse af kompressor, luftsæt og luftslinge.

(Fig. 23 og 24)

Efter brugen skal du altid tømme kompressortanken og luftfilteret ud. Hvis der trænger fugt ind i værktøjet, kan det medføre dårlig ydelse og risiko for fejlfunktion.

Kontroller regelmæssigt, om der er tilstrækkelig trykluftsolie i smøreniolen på luftsættet. Forsømmelse af tilstrækkelig smøring vil bevirke, at O-ringene hurtigt nedslides. (Fig. 25)

Udsæt ikke luftslangen for varme (over 60 °C) eller for kemikalier (fortynder, stærke syrer eller baser). Sørg også for at føre luftslangen uden om forhindringer, hvor den kan komme i klemme under brugen. Slinger skal desuden holdes borte fra skarpe kanter og områder, der kan medføre beskadigelse eller slid på slangen. (Fig. 26) For at holde produktet SIKKERT og PÅLIDELIGT skal reparationer samt al anden vedligeholdelse eller justering udføres af autoriserede Makita-servicecentre, og der skal altid benyttes Makita-reservedele.

TILBEHØR

FORSIGTIG:

- Dette tilbehør eller ekstraudstyr anbefales til brug med det Makita-værktøj, som er beskrevet i denne

brugsanvisning. Brug af andet tilbehør eller ekstraudstyr kan forårsage personskade. Brug kun tilbehør eller ekstraudstyr til det formål, det er beregnet til.

Henvend dig til din lokale Makita-servicecenter, hvis du har brug for hjælp eller yderligere oplysninger vedrørende tilbehøret.

- Stifter
- Luftslinger
- Sikkerhedsbriller

Støj ENG102-3

Det typiske A-vægtede støjniveau bestemt i overensstemmelse med EN792:

Lydtryksniveau (L_{pA}): 89 dB (A)
Lydeffektniveau (L_{WA}): 102 dB (A)
Usikkerhed (K): 3 dB (A)

Bær høreværn.

Vibration ENG233-2

Vibrationsemissionsværdien bestemt i henhold til EN792:

Vibrationsemission (a_h): 3,5 m/s²
Usikkerhed (K): 1,5 m/s²

Kun for lande i Europa ENH003-11

EF-overensstemmelseserklæring

Vi, Makita Corporation, erklærer som ansvarlig producent at følgende Makita-maskine(r):

Maskinens betegnelse: Trykluftdrevet betonsømpistol
Modelnummer/ type: AN250HC
er en produktionsserie og

Overholder følgende europæiske direktiver:

98/37/EC indtil den 28. december 2009 og derefter
2006/42/EC fra den 29. december 2009

Og er produceret i overensstemmelse med følgende standarder eller standardiserede dokumenter:

EN792

Den tekniske dokumentation findes hos vores autoriserede repræsentant i Europa:

Makita International Europe Ltd.,
Michigan, Drive, Tongwell,
Milton Keynes, MK15 8JD, England

13. marts 2009



Tomoyasu Kato
Direktør

Makita Corporation
3-11-8, Sumiyoshi-cho,
Anjo, Aichi, JAPAN

Γενική περιγραφή

- | | | |
|------------------------------------|-----------------------------|--|
| 1. Προστατευτικά γυαλιά | 11. Στοιχείο επαφής | 21. Εύρος εισχώρησης μέσα στο τσιμέντο |
| 2. Προσωπίδα | 12. Προσαρμογέας μύτης | 22. Καπάκι |
| 3. Έξοδος αέρα συμπιεστή ανά λεπτό | 13. Θέση κλειδώματος (LOCK) | 23. Κρουνός αποστράγγισης |
| 4. Συχνότητα καρφώματος | 14. Ελεύθερη θέση (FREE) | 24. Φίλτρο αέρα |
| 5. Ρυθμιστής | 15. Μοχλός κλειδώματος | 25. Λιπαντήρας |
| 6. Πολύ βαθιά | 16. Θύρα | 26. Λάδι για εργαλεία πεπιεσμένου αέρα |
| 7. Ίδιο επίπεδο | 17. Κανάλι οδηγού | 27. Διαλύτης |
| 8. Πολύ ρηχά | 18. Σκανδάλη | 28. Θερμίστρα |
| 9. Βίδα | 19. Τεμάχιο εργασίας | |
| 10. Γάντζος | 20. Λεπτό ατσάλινο έλασμα | |

ΠΡΟΔΙΑΓΡΑΦΕΣ

Μοντέλο	AN250HC
Πίεση αέρα	1,18 - 2,26 MPa (11,8 - 22,6 bar)
Μήκος καρφιού	19 mm - 25 mm Σπείρωμα βελονών συνδεδεμένες με έλασμα
Χωρητικότητα καρφίων	100 τεμ.
Ελάχιστη διάμετρος σωλήνα	5 mm
Διαστάσεις (Μ Χ Π Χ Υ)	295 mm X 128 mm X 291 mm
Καθαρό βάρος	2,1 kg

- Λόγω του συνεχόμενου προγράμματος που εφαρμόζουμε για έρευνα και ανάπτυξη, τα τεχνικά χαρακτηριστικά στο παρόν έντυπο υπόκεινται σε αλλαγή χωρίς προειδοποίηση.
- Τα τεχνικά χαρακτηριστικά ενδέχεται να διαφέρουν ανάλογα με τη χώρα.
- Βάρος σύμφωνα με την διαδικασία ΕΡΤΑ 01/2003

Προοριζόμενη χρήση

ENE072-1

Το εργαλείο προορίζεται για τη στερέωση ενός λεπτού ατσάλινου ελάσματος πάνω σε τσιμέντο.

ΣΗΜΑΝΤΙΚΕΣ ΟΔΗΓΙΕΣ ΑΣΦΑΛΕΙΑΣ

ENB115-1

ΠΡΟΕΙΔΟΠΟΙΗΣΗ: ΟΤΑΝ ΧΡΗΣΙΜΟΠΟΙΕΙΤΕ ΑΥΤΟ ΤΟ ΕΡΓΑΛΕΙΟ, ΠΑΝΤΟΤΕ ΠΡΕΠΕΙ ΝΑ ΑΚΟΛΟΥΘΕΙΤΕ ΟΛΕΣ ΤΙΣ ΒΑΣΙΚΕΣ ΠΡΟΦΥΛΑΞΕΙΣ ΓΙΑ ΤΗΝ ΑΣΦΑΛΕΙΑ ΓΙΑ ΝΑ ΜΕΙΩΣΕΤΕ ΤΟΝ ΚΙΝΔΥΝΟ ΠΡΟΣΩΠΙΚΟΥ ΤΡΑΥΜΑΤΙΣΜΟΥ, ΣΥΜΠΕΡΙΛΑΜΒΑΝΟΜΕΝΩΝ ΤΩΝ ΠΑΡΑΚΑΤΩ:

ΔΙΑΒΑΣΤΕ ΟΛΕΣ ΤΙΣ ΟΔΗΓΙΕΣ.

1. Για την προσωπική ασφάλεια και τη σωστή λειτουργία και συντήρηση του εργαλείου, διαβάστε αυτό το εγχειρίδιο οδηγιών πριν χρησιμοποιήσετε το εργαλείο.
2. Να φοράτε πάντοτε προστατευτικά γυαλιά για να προστατεύετε τα μάτια σας από τραυματισμό από τη σκόνη ή τις βελόνες.
ΠΡΟΕΙΔΟΠΟΙΗΣΗ:
Ο εργοδότης έχει την ευθύνη να επιβάλλει τη χρήση προστατευτικού εξοπλισμού για τα μάτια των χειριστών του εργαλείου και των άλλων ατόμων που βρίσκονται στην άμεση περιοχή εργασίας.
3. Για την Αυστραλία και τη Νέα Ζηλανδία μόνο
Να φοράτε πάντοτε προστατευτικά γυαλιά και προσωπίδα για να προστατεύετε τα μάτια σας από

τραυματισμό από τη σκόνη ή τις βελόνες. Τα προστατευτικά γυαλιά και η προσωπίδα θα πρέπει να συμμορφώνονται με τις απαιτήσεις AS/NZS 1336.
ΠΡΟΕΙΔΟΠΟΙΗΣΗ:

Ο εργοδότης έχει την ευθύνη να επιβάλλει τη χρήση προστατευτικού εξοπλισμού για τα μάτια των χειριστών του εργαλείου και των άλλων ατόμων που βρίσκονται στην άμεση περιοχή εργασίας. **(Εικ. 1)**

4. Να φοράτε ωτοασπίδες για να προστατεύετε τα αυτιά σας από το θόρυβο της εξάτμισης, καθώς και προστατευτικό κεφαλή. Επίσης, να φοράτε ελαφρά, αλλά όχι φαρδιά ρούχα. Τα μανίκια πρέπει να είναι κουμπωμένα ή ανεβασμένα. Δεν πρέπει να φοράτε γραβάτα.
5. Είναι επικίνδυνο να εργάζεστε με βιασύνη ή να ασκείτε δύναμη στο εργαλείο. Να χειρίζεστε το εργαλείο προσεχτικά. Μη θέτετε το εργαλείο σε λειτουργία όταν βρίσκεστε υπό την επήρεια αλκοόλ, φαρμάκων ή παρόμοιων ουσιών.
6. Γενικές Οδηγίες Για Το Χειρισμό Του Εργαλείου:
 - (1) Να θεωρείτε πάντοτε ότι το εργαλείο περιέχει συνδετήρες.
 - (2) Μη στρέψετε το εργαλείο προς το μέρος σας ή προς οποιονδήποτε άλλον, ανεξάρτητα αν περιέχει συνδετήρες ή όχι.
 - (3) Μην ενεργοποιείτε το εργαλείο εκτός αν βρίσκεται τοποθετημένο σταθερά επάνω στο τεμάχιο εργασίας.
 - (4) Να παίρνετε το εργαλείο στα σοβαρά κατά την εκτέλεση της εργασίας.

- (5) Μην αστειεύεστε με το εργαλείο.
- (6) Μην κρατάτε και μη μεταφέρετε το εργαλείο με το δάκτυλό σας στη σκανδάλη.
- (7) Μη γεμίζετε το εργαλείο με συνδετήρες όταν είναι ενεργοποιημένο κάποιο από τα χειριστήρια λειτουργίας.
- (8) Μη θέτετε το εργαλείο σε λειτουργία με οποιαδήποτε πηγή ενέργειας εκτός από εκείνη που καθορίζεται στις οδηγίες λειτουργίας/ ασφάλειας του εργαλείου.
7. Μη χρησιμοποιείτε κάποιο εργαλείο που δεν λειτουργεί σωστά.
8. Μερικές φορές πετάγονται σπινθήρες κατά τη χρήση του εργαλείου. Μη χρησιμοποιείτε το εργαλείο κοντά σε πτητικά, εύφλεκτα υλικά όπως βενζίνη, νέφτι, μπιονιά, γκάζι, κόλλα, κλπ. Θα αναφλεγούν και θα εκραγούν με αποτέλεσμα το σοβαρό τραυματισμό.
9. Η περιοχή πρέπει να είναι επαρκώς φωτισμένη για να υπάρχει ασφάλεια στην εργασία. Η περιοχή πρέπει να είναι καθαρή και χωρίς απορρίμματα. Να είστε ιδιαίτερα προσεκτικοί και να στέκεστε σταθερά και ισορροπημένα.
10. Μόνο οι εργαζόμενοι πρέπει να βρίσκονται στην περιοχή εργασίας. Ιδιαίτερα τα παιδιά ποτέ δεν πρέπει να πλησιάζουν.
11. Ενδεχομένως να υπάρχουν τοπικοί κανονισμοί που αφορούν το θόρυβο και στους οποίους πρέπει να συμμορφώνεστε διατηρώντας τη στάθμη θορύβου εντός των προδιαγραφόμενων ορίων. Σε ειδικές περιπτώσεις πρέπει να χρησιμοποιούνται παραπετάσματα για τον περιορισμό του θορύβου.
12. Μην παίζετε με το στοιχείο επαφής: Αυτό εμποδίζει την τυχαία εκφόρτωση, για το λόγο αυτό πρέπει να παραμένει πάντοτε στη θέση του και να μην αφαιρείται. Είναι επίσης πολύ επικίνδυνο να ασφαλιζέτε τη σκανδάλη στην ανοικτή θέση (ON). Ποτέ μην επιχειρήσετε να ασφαλίσετε τη σκανδάλη. Μη θέσετε το εργαλείο σε λειτουργία αν οποιοδήποτε τμήμα των χειριστηρίων λειτουργίας είναι χαλασμένο, αποσυνδεδεμένο, τροποποιημένο ή δεν λειτουργεί σωστά.
13. Να θέτετε το εργαλείο σε λειτουργία εντός των καθορισμένων ορίων πίεσης αέρα των 1,18 - 2,26 MPa (11,8 - 22,6 bar) για ασφάλεια και μακρύτερη ζωή του εργαλείου. Μην υπερβαίνετε τη συνιστώμενη μέγιστη πίεση λειτουργίας των 2,26 MPa (22,6 bar). Το εργαλείο δεν πρέπει να συνδέεται σε πηγή ή της οποίας η πίεση πιθανόν να υπερβαίνει τα 3,39 MPa (33,9 bar).
14. Βεβαιωθείτε ότι η παρεχόμενη πίεση από το σύστημα πεπιεσμένου αέρα δεν υπερβαίνει τη μέγιστη επιτρεπόμενη πίεση του συρρακτικού εργαλείου. Ρυθμίστε αρχικά την πίεση αέρα στη χαμηλότερη τιμή της συνιστώμενης επιτρεπόμενης πίεσης (βλ. ΠΡΟΔΙΑΓΡΑΦΕΣ).
15. Μη χρησιμοποιείτε ποτέ το εργαλείο με ο,τιδήποτε άλλο εκτός από πεπιεσμένο αέρα. Αν χρησιμοποιηθεί εμφιαλωμένο αέριο (διοξειδίο άνθρακα, οξυγόνο, άζωτο, υδρογόνο, αέρα, κτλ.) ή εύφλεκτο αέριο (υδρογόνο, προπάνιο, ακετυλένιο, κτλ.) ως πηγή ενέργειας για το εργαλείο αυτό, το εργαλείο θα εκραγεί και θα προκληθεί σοβαρός τραυματισμός.
16. Πριν από τη λειτουργία, να ελέγχετε πάντοτε τη γενική κατάσταση του εργαλείου, αλλά και αν οι βίδες είναι χαλαρές. Σφίξτε όπως απαιτείται.
17. Βεβαιωθείτε ότι όλα τα συστήματα ασφάλειας βρίσκονται σε καλή κατάσταση πριν από τη λειτουργία. Το εργαλείο δεν πρέπει να λειτουργεί αν πιεστεί μόνο η σκανδάλη ή αν πατηθεί μόνο ο βραχίονας επαφής επάνω στο ξύλο. Πρέπει να λειτουργεί μόνο όταν εκτελούνται και οι δύο ενέργειες. Ελέγξτε την πιθανή ελαττωματική λειτουργία όταν το εργαλείο δεν είναι γεμάτο με βελόνες και ο ωθητής βρίσκεται στην πλήρη τραβηγμένη θέση.
18. Βεβαιωθείτε ότι η σκανδάλη είναι κλειδωμένη όταν ο μοχλός κλειδώματος είναι τοποθετημένος στην κλειδωμένη θέση (LOCK).
19. Να ελέγχετε προσεκτικά τους τοίχους, τις οροφές, τα πατώματα, τις στέγες και παρόμοιες κατασκευές για να αποφεύγετε την πιθανή ηλεκτροπληξία, διαρροή αερίου, εκρήξεις, κτλ. που προκαλούνται από κτυπήματα ηλεκτροφόρων καλωδίων, αγωγών ή σωλήνων αερίων.
20. Να χρησιμοποιείτε μόνο τις βελόνες που καθορίζονται στο εγχειρίδιο αυτό. Αν χρησιμοποιήσετε άλλες βελόνες, μπορεί να προκληθεί δυσλειτουργία του εργαλείου.
21. Ποτέ μη χρησιμοποιήσετε καρφωτικά εργαλεία (σύνταξη) που φέρουν την ένδειξη «Μη χρησιμοποιείτε σε σκαλωσιές, σκάλες, κτλ.» για ειδικές εφαρμογές όπως για παράδειγμα:
- κατά την αλλαγή από μια τοποθεσία καρφώματος σε μια άλλη χρησιμοποιούνται σκαλωσιές, σκαλοπάτια, σκάλες ή άλλες παρόμοιες κατασκευές, π.χ. σανίδες σκεπών,
 - κατά το κλείσιμο κιβωτίων ή τελάρων,
 - κατά την εφαρμογή συστημάτων ασφάλειας μεταφορών π.χ. σε οχήματα και βαγόνια.
22. Μην επιτρέπετε σε ανειδίκευτα άτομα να χρησιμοποιούν το εργαλείο.
23. Να βεβαιώνετε ότι δεν βρίσκεται κανένας κοντά πριν από το κάρφωμα των βελόνων. Ποτέ να μην προσπαθήσετε να καρφώσετε ταυτόχρονα εσωτερικά και εξωτερικά, οι βελόνες μπορεί να αποσχιστούν και/ ή να πεταχτούν προκαλώντας ένα σοβαρό κίνδυνο.
24. Να προσέχετε ώστε να στέκεστε καλά και να διατηρείτε την ισορροπία σας όταν χρησιμοποιείτε το εργαλείο. Να βεβαιώνετε ότι δεν υπάρχει κανείς από κάτω όταν εργάζεστε σε υψηλές τοποθεσίες και να ασφαλίσετε τον εύκαμπο σωλήνα αέρα για να αποφεύγετε τον κίνδυνο σε περίπτωση που συμβεί απότομο τίναγμα ή πιάσιμο.
25. Σε σκετές και άλλες υψηλές τοποθεσίες, να καρφώνετε καθώς κινείστε προς τα μπροστά. Είναι εύκολο να χάσετε την ισορροπία σας αν καρφώνετε καθώς κινείστε προς τα πίσω. Όταν καρφώνετε σε κατακόρυφη επιφάνεια, να καρφώνετε τις βελόνες από την κορυφή προς τα κάτω. Με τον τρόπο αυτό, μπορείτε να εκτελείτε εργασίες καρφώματος με λιγότερη κόπωση.
26. Η βελόνα θα στραβώσει ή το εργαλείο θα πάθει εμπλοκή εάν από λάθος καρφώσετε μια βελόνα επάνω σε μια άλλη ή χτυπήσετε ρόζο στο ξύλο. Η βελόνα μπορεί να εκτιναχθεί και να χτυπήσει κάποιον ή το ίδιο το εργαλείο μπορεί να αντιδράσει επικίνδυνα. Τοποθετήστε τις βελόνες με προσοχή.

27. Μην αφήνετε το φορτωμένο εργαλείο ή τον συμπιεστή αέρα υπό πίεση για μεγάλο χρονικό διάστημα έξω στον ήλιο. Να βεβαιώνετε ότι δεν εισέρχονται στο εργαλείο σκόνη, άμμος, τεμαχίδια ή ξένη ύλη στη θέση όπου το αφήνετε.
28. Μη στρέψετε τη θύρα εκκίνησης προς οποιοδήποτε άτομο βρίσκεται κοντά. Να κρατάτε τα χέρια και τα πόδια σας μακριά από την περιοχή της θύρας εκκίνησης.
29. Όταν είναι συνδεδεμένος ο σωλήνας αέρα, μη μεταφέρετε το εργαλείο και μην το δίνετε σε κάποιον άλλον καθώς το δάκτυλό σας βρίσκεται στη σκανδάλη. Η τυχαία εκपुरσοκρότηση μπορεί να είναι εξαιρετικά επικίνδυνη.
30. Να χειρίζεστε το εργαλείο προσεχτικά, επειδή υπάρχει υψηλή πίεση στο εσωτερικό του, που μπορεί να είναι επικίνδυνη αν προκληθεί ρωγμή από απρόσεχτο χειρισμό (πτώση ή χτύπημα). Μην προσπαθήσετε να κάνετε χαρακίες ή αυλακώσεις στο εργαλείο.
31. Σταματήστε αμέσως τις λειτουργίες καρφώματος των βελονών αν παρατηρήσετε ότι κάτι δεν πάει καλά ή κάτι είναι ασυνήθιστο με το εργαλείο.
32. Να αποσυνδέετε πάντοτε τον εύκαμπτο σωλήνα αέρα και να αφαιρείτε όλες τις βελόνες:
 1. Όταν δεν προσέχει κανείς το εργαλείο.
 2. Πριν εκτελέσετε οποιαδήποτε εργασία συντήρησης ή επισκευής.
 3. Πριν αποκαταστήσετε κάποια εμπλοκή.
 4. Πριν μετακινήσετε το εργαλείο σε νέα τοποθεσία.
33. Να εκτελείτε καθαρισμό και συντήρηση του εργαλείου αμέσως μόλις ολοκληρώσετε την εργασία. Να διατηρείτε το εργαλείο σε άριστη κατάσταση. Να λιπαίνετε τα κινούμενα μέρη για να αποφεύγετε την οξείδωση (σκουριάσμα) και να ελαχιστοποιείτε τη φθορά από την τριβή. Σκουπίστε όλη τη σκόνη από τα μέρη του εργαλείου.
34. Όταν δεν χρησιμοποιείτε το εργαλείο, να κλειδώνετε πάντοτε τη σκανδάλη περιστρέφοντας το μοχλό κλειδώματος στην κλειδωμένη θέση (LOCK).
35. Μην τροποποιείτε το εργαλείο χωρίς την έγκριση από τη Makita.
36. Απευθυνθείτε στα εξουσιοδοτημένα κέντρα εξυπηρέτησης της Makita για τους περιοδικούς ελέγχους του εργαλείου.
37. Για να διατηρείται η ΑΣΦΑΛΕΙΑ και η ΑΞΙΟΠΙΣΤΙΑ του προϊόντος, οι εργασίες συντήρησης και επισκευής θα πρέπει να εκτελούνται σε εξουσιοδοτημένα κέντρα εξυπηρέτησης της Makita, και πάντοτε με τη χρήση ανταλλακτικών της Makita.
38. Να χρησιμοποιείτε μόνο λάδι για εργαλεία πεπιεσμένου αέρα που καθορίζεται στο εγχειρίδιο αυτό.
39. Μη συνδέετε ποτέ το εργαλείο σε γραμμή πεπιεσμένου αέρα σε περιπτώσεις που η μέγιστη επιτρεπόμενη πίεση του εργαλείου ξεπεραστεί κατά 10 %. Βεβαιωθείτε ότι η παρεχόμενη πίεση από το σύστημα πεπιεσμένου αέρα δεν υπερβαίνει τη μέγιστη επιτρεπόμενη πίεση του συρραπτικού εργαλείου. Αρχικά ρυθμίστε την πίεση του αέρα στη χαμηλότερη τιμή της επιτρεπόμενης πίεσης που συνιστάται.
40. Μην προσπαθήσετε να κρατήσετε το στοιχείο επαφής της σκανδάλης πιεσμένο με ταίρια ή σύρμα. Μπορεί να προκληθεί θάνατος ή σοβαρός τραυματισμός.

- Πάντοτε να ελέγχετε το στοιχείο επαφής σύμφωνα με τις οδηγίες αυτού του εγχειριδίου, οι βελόνες μπορεί να πεταχτούν κατά λάθος εάν δεν λειτουργεί σωστά ο μηχανισμός ασφάλειας.

ΦΥΛΑΞΤΕ ΑΥΤΕΣ ΤΙΣ ΟΔΗΓΙΕΣ.

ΤΟΠΟΘΕΤΗΣΗ

Επιλογή συμπιεστή (Εικ. 2)

Ο συμπιεστής αέρα θα πρέπει να είναι εναρμονισμένος με τις απαιτήσεις της EN60335-2-34.

Επιλέξτε συμπιεστή που διαθέτει επαρκή πίεση και έξοδο αέρα ώστε να εξασφαλίζεται η οικονομική λειτουργία. Η γραφική παράσταση απεικονίζει τη σχέση μεταξύ της συχνότητας καρφώματος των βελονών, της ασκούμενης πίεσης και της εξόδου αέρα του συμπιεστή.

Συνεπώς, για παράδειγμα, αν το κάρφωμα των βελονών λαμβάνει χώρα με ρυθμό περίπου 15 φορές το λεπτό με συμπίεση 1,76 MPa (17,6 bar), απαιτείται συμπιεστής με έξοδο αέρα υψηλότερη των 70 λίτρων/λεπτό.

Πρέπει να χρησιμοποιούνται ρυθμιστές πίεσης για να περιορίζουν την πίεση του αέρα στην ονομαστική πίεση του εργαλείου, στην περίπτωση που η πίεση της παροχής του αέρα υπερβαίνει την ονομαστική πίεση του εργαλείου. Αν δεν τηρηθεί αυτή η οδηγία, μπορεί να προκληθεί σοβαρός τραυματισμός στον χειριστή του εργαλείου ή σε άτομα που βρίσκονται κοντά στην περιοχή εργασίας.

Επιλογή εύκαμπτου σωλήνα αέρα (Εικ. 3)

Χρησιμοποιήστε έναν εύκαμπτο σωλήνα αέρα που να αντέχει στις υψηλές πιέσεις.

Χρησιμοποιήστε ένα εύκαμπτο σωλήνα αέρα που είναι όσο το δυνατόν πιο φαρδύς και όσο το δυνατόν πιο κοντός για να εξασφαλίσετε το συνεχές, επαρκές κάρφωμα των βελονών.

ΠΡΟΣΟΧΗ:

- Η χαμηλή παροχή αέρα του συμπιεστή ή ο εύκαμπτος σωλήνας αέρα με μεγαλύτερο μήκος ή μικρότερη διάμετρο σε σχέση με τη συχνότητα καρφώματος των βελονών μπορεί να προκαλέσει μείωση της ικανότητας καρφώματος του εργαλείου.

Λίπανση (Εικ. 4)

Για να εξασφαλίζετε τη μέγιστη απόδοση, τοποθετήστε ένα σετ αέρα (λίπαντήρας, ρυθμιστής, φίλτρο αέρα) όσο το δυνατόν πιο κοντά στο εργαλείο. Ρυθμίστε το λιπαντήρα έτσι ώστε να παρέχει μία σταγόνα λαδιού κάθε 30 βελόνες. (Εικ. 5)

Όταν δεν χρησιμοποιείτε σετ αέρα, να λιπαίνετε το εργαλείο με λάδι για εργαλεία πεπιεσμένου αέρα τοποθετώντας δύο ή 3 τρεις σταγόνες στο προσάρτημα αέρα. Αυτό πρέπει να πραγματοποιείται πριν και μετά από τη χρήση. Για τη σωστή λίπανση, πρέπει να εκपुरσοκροτείτε το εργαλείο δύο-τρεις φορές μετά από την εισαγωγή του λαδιού για εργαλεία πεπιεσμένου αέρα.

ΠΕΡΙΓΡΑΦΗ ΛΕΙΤΟΥΡΓΙΑΣ

ΠΡΟΣΟΧΗ:

- Να αποσυνδέετε πάντοτε τον εύκαμπτο σωλήνα του αέρα πριν από τη ρύθμιση ή τον έλεγχο της λειτουργίας του εργαλείου.

Προσαρμογή του βάθους καρφώματος των βελονών

ΠΡΟΣΟΧΗ:

- Να αποσυνδέετε πάντοτε τον εύκαμπτο σωλήνα πριν ρυθμίσετε το βάθος καρφώματος των βελονών. **(Εικ. 6 και 7)**

Εάν οι βελόνες καρφώνονται πολύ βαθιά, στρέψτε το ρυθμιστή προς τα δεξιά. Εάν οι βελόνες καρφώνονται πολύ ρηχά, στρέψτε το ρυθμιστή προς τα αριστερά. Το ρυθμιζόμενο εύρος είναι 10 mm. (Μια πλήρης περιστροφή επιφέρει μια ρύθμιση 0,8 mm.)

Γάντζος

ΠΡΟΣΟΧΗ:

- Πάντοτε να αποσυνδέετε τον εύκαμπτο σωλήνα όταν κρεμάτε το εργαλείο από τον γάντζο.
- Ποτέ να μην κρεμάτε το εργαλείο από μια ζώνη της μέσης ή κάτι παρόμοιο. Μπορεί να προκληθεί μια επικίνδυνη τυχαία εκपुरσοκρότηση. **(Εικ. 8)**

Ο γάντζος χρησιμεύει για το προσωρινό κρέμασμα του εργαλείου. Αυτός ο γάντζος μπορεί να τοποθετηθεί σε οποιαδήποτε πλευρά του εργαλείου.

Κατά την αλλαγή της θέσης τοποθέτησης, αφαιρέστε τη βίδα με ένα κατασβίδι. Τοποθετήστε το γάντζο στην άλλη πλευρά για την εγκατάσταση και μετά ασφαλίστε τον με μια βίδα.

Τοποθετήστε τον γάντζο στην άλλη πλευρά για την εγκατάσταση και μετά ασφαλίστε τον με μια βίδα.

Χρησιμοποιήστε τον προσαρμογέα μύτης

ΠΡΟΣΟΧΗ:

- Να αποσυνδέετε πάντοτε τον εύκαμπτο σωλήνα πριν τοποθετήσετε ή αφαιρέσετε τον προσαρμογέα μύτης. **(Εικ. 9)**

Εάν επιθυμείτε να αποφύγετε την μετατόπιση των σημείων καρφώματος λόγω γλιστρήματος πάνω στο τεμάχιο εργασίας, συνδέστε τον προσαρμογέα μύτης του στοιχείου επαφής.

Συνήθως χρησιμοποιήστε τον ένα από τους δυο προσαρμογείς μύτης A (διαφανής), ο ένας είναι εγκαταστημένος από το εργοστάσιο στη σημείο επαφής και ο άλλος είναι αποθηκευμένος πίσω από τη λαβή. Κατά την εργασία σε κατά μήκος λεπτών χωρισμάτων, χρησιμοποιήστε τον ένα από τους δυο προσαρμογείς μύτης B (μαύρος) οι οποίοι παρέχονται μέσα στο χαρτοκιβώτιο του εργαλείου.

Για να συνδέσετε τον προσαρμογέα μύτης στο σημείο επαφής, πιέστε τον πάνω στο σημείο επαφής ως το τέρμα.

Κλειδώμα της σκανδάλης.

Αυτό το καρφωτικό εργαλείο διαθέτει ένα μηχανισμό για το κλειδώμα της σκανδάλης ώστε να αποφεύγονται οι προσωπικοί τραυματισμοί και η πρόκληση ζημιάς στην περιοχή που προκαλούνται από τον ακατάλληλο χειρισμό σε περιπτώσεις που δεν αφορούν τη διαδικασία καρφώματος. **(Εικ. 10)**

Ρυθμίστε το μοχλό αλλαγής στη θέση κλειδώματος (LOCK) για να κλειδώσετε την σκανδάλη. **(Εικ. 11)** Πριν το κάρφωμα των βελονών, ρυθμίστε το μοχλό αλλαγής στην ελεύθερη θέση (FREE). Όταν ΔΕΝ καρφώνετε βελόνες, φροντίστε να ρυθμίσετε τον μοχλό

αλλαγής στην κλειδωμένη θέση (LOCK) και να αποσυνδέσετε τον εύκαμπτο σωλήνα του αέρα.

ΣΥΝΑΡΜΟΛΟΓΗΣΗ

ΠΡΟΣΟΧΗ:

- Να αποσυνδέετε πάντοτε τον εύκαμπτο σωλήνα του αέρα πριν από το φόρτωμα του καρφωτικού εργαλείου.

Φόρτωση του καρφωτικού εργαλείου (Εικ. 12)

Αποσυνδέστε τον εύκαμπτο σωλήνα του αέρα από το εργαλείο. Επιλέξτε τις βελόνες που είναι κατάλληλες για την εργασία σας. Πιέστε το μοχλό κλειδώματος και ανοίξτε τη θύρα και το καπάκι του γεμιστήρα. **(Εικ. 13)** Τοποθετήστε το σπείρωμα των βελονών στο γεμιστήρα. Ξετυλιξτε αρκετές βελόνες έτσι ώστε να φτάσετε τον οδηγό των βελονών. Τοποθετήστε την πρώτη βελόνα στο τροφοδοτικό και τη δεύτερη βελόνα στην προεξοχή τροφοδοσίας. Τοποθετήστε τις άλλες ξετυλιγμένες βελόνες στο τροφοδοτικό στοιχείο. Κλείστε αργά το καπάκι του γεμιστήρα ώσπου να ασφαλίσει αφότου ελέγξετε ότι η ταινία των βελονών είναι κατάλληλα τοποθετημένη μέσα στο γεμιστήρα.

Σύνδεση του εύκαμπτου σωλήνα αέρα

Σύρατε την υποδοχή αέρα του εύκαμπτου σωλήνα αέρα στο προσάρτημα αέρα στο καρφωτικό εργαλείο. Βεβαιωθείτε ότι η υποδοχή αέρα κλειδώνει σταθερά στη θέση της όταν την τοποθετείτε στο προσάρτημα αέρα.

ΛΕΙΤΟΥΡΓΙΑ

ΠΡΟΣΟΧΗ:

- Φροντίστε να ρυθμίσετε το μοχλό αλλαγής στη κλειδωμένη θέση (LOCK) για την αποφυγή της ανεπιθύμητης λειτουργίας όταν το εργαλείο δεν βρίσκεται σε χρήση.
- Βεβαιωθείτε ότι όλα τα συστήματα ασφάλειας βρίσκονται σε καλή κατάσταση πριν από τη λειτουργία. **(Εικ. 14)**

Μόνο το τράβηγμα της σκανδάλης χωρίς το στοιχείο επαφής να ακουμπά το τεμάχιο εργασίας δεν πρέπει να θέτει στη λειτουργία καρφώματος το εργαλείο. **(Εικ. 15)** Μόνο το στοιχείο επαφής να ακουμπά το τεμάχιο εργασίας χωρίς το πάτημα της σκανδάλης δεν πρέπει να θέτει στη λειτουργία καρφώματος το εργαλείο. **(Εικ. 16)** Αυτό το καρφωτικό εργαλείο προορίζεται για το διακεκομμένο κάρφωμα βελονών. Το διακεκομμένο κάρφωμα βελονών είναι μια μέθοδος καρφώματος κομμάτι προς κομμάτι με το παρακάτω βήμα.

1. Ρυθμίστε το μοχλό αλλαγής στην ελεύθερη θέση (FREE).
2. Τοποθετήστε το στοιχείο επαφής στο τεμάχιο εργασίας.
3. Και κατόπιν τραβήξτε τη σκανδάλη.

Κάρφωμα βελονών σε τσιμέντο

ΠΡΟΕΙΔΟΠΟΙΗΣΗ:

- Χρησιμοποιήστε μόνο ενισχυμένες βελόνες κατάλληλες για τσιμέντο. Η χρήση βελονών που προορίζονται για άλλους σκοπούς μπορεί να προκαλέσει σοβαρούς τραυματισμούς. Μην καρφώνετε απευθείας στο

τσιμέντο. Εάν δεν το τηρήσετε αυτό μπορεί να προκληθεί η εκτόξευση κομματιών από τσιμέντο ή το πέταγμα βελονών προς τα πίσω προκαλώντας σοβαρούς τραυματισμούς.

- Όταν καρφώνετε βελόνες να κρατάτε το εργαλείο με τέτοιο τρόπο ώστε να είναι κάθετο στην επιφάνεια του καρφώματος.

Το κάρφωμα βελονών υπό κλίση μπορεί να προκαλέσει η εκτόξευση κομματιών από τσιμέντο ή το πέταγμα βελονών προς τα πίσω προκαλώντας σοβαρούς τραυματισμούς.

- Μην το χρησιμοποιήσετε σε μια επιφάνεια από όπου κρέμονται αντικείμενα όπως σε μια περιοχή όπου υπάρχουν αναρτήρες στους οποίους στηρίζονται αποχετευτικές σωληνώσεις, σωληνώσεις σκόνης κτλ. Επιλέξτε και χρησιμοποιήστε βελόνες των οποίων το βάθος εισχώρησης μέσα στο τσιμέντο να κυμαίνεται μεταξύ 15 mm - 20 mm. **(Εικ. 17)**

ΠΡΟΣΟΧΗ:

- Χρησιμοποιήστε αυτό το εργαλείο μόνο σε μαλακό τσιμέντο το οποίο δεν φτιάχτηκε πολύ καιρό πριν. Η χρήση του σε σκληρό τσιμέντο μπορεί να προκαλέσει το στράβωμα της βελόνας ή το κάρφωμά της σε ανεπαρκές βάθος.
- Όταν το απαιτούμενο βάθος διεύθυνσης μέσα στο τσιμέντο είναι περισσότερο από 20 mm, ενδοχόμενως να μην μπορεί να επιτευχθεί το κάρφωμα βελονών μέχρι το επαρκές μήκος. Οι βελόνες μπορεί να καρφωθούν πολύ ρηγά προκαλώντας αστάθεια στο τεμάχιο εργασίας και οδηγώντας στον προσωπικό τραυματισμό και στη ζημία της περιουσίας.

Κοπή του ελάσματος

ΠΡΟΣΟΧΗ:

- Να αποσυνδέετε πάντοτε τον εύκαμπτο σωλήνα πριν την κοπή του ελάσματος. **(Εικ. 18)**

Κόψτε το έλασμα που βγαίνει προς τα έξω προς την κατεύθυνση του βέλους όταν χρησιμοποιείτε τις βελόνες που είναι συνδεδεμένες με έλασμα.

ΣΥΝΤΗΡΗΣΗ

ΠΡΟΣΟΧΗ:

- Να αποσυνδέετε πάντοτε τον εύκαμπτο σωλήνα του αέρα πριν επιχειρήσετε να εκτελέσετε έλεγχο ή συντήρηση.

Εμπλοκή του καρφωτικού πιστολιού

ΠΡΟΣΟΧΗ:

- Να αποσυνδέετε πάντοτε τον εύκαμπτο σωλήνα αέρα και να αφαιρείτε όλες τις βελόνες από το γεμιστήρα πριν από την αποκατάσταση μιας εμπλοκής. **(Εικ. 19 και 20)**

Όταν το καρφωτικό πιστόλι παθαίνει εμπλοκή, πραγματοποιήστε τα εξής:

Ανοίξτε το καπάκι του γεμιστήρα και αφαιρέστε το σπείρωμα των βελονών. Εισάγετε μια μικρή ράβδο ή κάτι παρόμοιο στη θύρα εκτίναξης και χτυπήστε τη ελαφρά με ένα σφυρί για να βγάλετε έξω τη βελόνα που κόλλησε στην θύρα εκτίναξης. Επανατοποθετήστε το σπείρωμα των βελονών και κλείστε το καπάκι του γεμιστήρα.

Αποστράγγιση εργαλείου (Εικ. 21)

Αποσυνδέστε τον εύκαμπτο σωλήνα από το εργαλείο. Τοποθετήστε το εργαλείο έτσι ώστε το προσάρτημα αέρα να βλέπει προς το πάτωμα. Αποστραγγίστε όσο το δυνατόν περισσότερο.

Καθαρισμός του εργαλείου

Αφαιρέστε τη σκόνη που είναι κολλημένη στο εργαλείο με τη χρήση ενός στρεί αέρα.

Καπάκι (Εικ. 22)

Όταν δεν βρίσκεται σε χρήση, αποσυνδέστε τον εύκαμπτο σωλήνα. Μετά καλύψτε το προσάρτημα αέρα με το καπάκι.

Αποθήκευση

Όταν δεν βρίσκεται σε χρήση το καρφωτικό εργαλείο θα πρέπει να αποθηκεύεται σε ένα θερμό και ξηρό χώρο. Συντήρηση του συμπιεστή, του σαι αέρα και του εύκαμπτου σωλήνα αέρα. **(Εικ. 23 και 24)**
Μετά από τη λειτουργία, να αποστραγγίζετε πάντοτε τη δεξαμενή του συμπιεστή και το φίλτρο αέρα. Αν εισέλθει υγρασία στο εργαλείο, μπορεί να επέλθει ως αποτέλεσμα η ανεπαρκής απόδοση και η πιθανή βλάβη του εργαλείου. Να ελέγχετε τακτικά να δείτε αν υπάρχει αρκετό λάδι για εργαλεία πεπιεσμένου αέρα στο λιπαντήρα του σαι αέρα. Αν δεν διατηρείται η επαρκής λίπανση, θα προκληθεί γρήγορη φθορά των στρογγυλών δακτυλίων. **(Εικ. 25)**
Να διατηρείτε τον εύκαμπτο σωλήνα αέρα μακριά από τη θερμότητα (θερμοκρασία υψηλότερη από 60°C, ή 140°F) και μακριά από χημικές ουσίες (διαλύτες, ισχυρά οξέα ή ισχυρές βάσεις). Επίσης, να δρομολογήτε τον εύκαμπτο σωλήνα μακριά από εμπόδια στα οποία θα μπορούσε να εμπλακεί επικίνδυνα κατά τη λειτουργία. Οι εύκαμπτοι σωλήνες πρέπει να δρομολογούνται μακριά από αιχμηρά άκρα και περιοχές που μπορεί να οδηγήσουν σε βλάβη ή τρίψιμο του εύκαμπτου σωλήνα. **(Εικ. 26)**
Για να διατηρείται η ΑΣΦΑΛΕΙΑ και η ΑΞΙΟΠΙΣΤΙΑ του προϊόντος, οι εργασίες επισκευής, καθώς και οποιαδήποτε άλλη εργασία συντήρησης ή ρύθμισης, θα πρέπει να εκτελούνται σε εξουσιοδοτημένα κέντρα εξυπηρέτησης της Makita, και πάντοτε με τη χρήση ανταλλακτικών της Makita.

ΑΞΕΣΟΥΡ

ΠΡΟΣΟΧΗ:

- Συνιστάται η χρήση αυτών των αξεσουάρ ή εξαρτημάτων με το εργαλείο της Makita, όπως περιγράφεται στο παρόν εγχειρίδιο. Αν χρησιμοποιήσετε άλλα αξεσουάρ ή εξαρτήματα μπορεί να παρουσιαστεί κίνδυνος για πρόκληση ατομικού τραυματισμού. Να χρησιμοποιείτε τα αξεσουάρ και τα εξαρτήματα μόνο για το σκοπό για τον οποίο προορίζονται.

Αν χρειάζεστε κάποια βοήθεια ή περισσότερες πληροφορίες σχετικά με τα αξεσουάρ αυτά, απευθυνθείτε στο πλησιέστερο κέντρο εξυπηρέτησης της Makita.

- Βελόνες
- Εύκαμπτοι σωλήνες αέρα
- Προστατευτικά γυαλιά

Θόρυβος

ENG102-3

Το σύνθηδες σταθμισμένο επίπεδο θορύβου που έχει

καθοριστεί σύμφωνα με την EN792:

Επίπεδο ηχητικής πίεσης (L_{pA}): 89 dB (A)

Επίπεδο ηχητικής ισχύος (L_{WA}): 102 dB (A)

Αβεβαιότητα (K): 3 dB (A)

Να φοράτε ωτοασπίδες.

Κραδασμός

ENG233-2

Η τιμή εκπομπής δόνησης έχει καθοριστεί σύμφωνα με το

EN792:

Εκπομπή δόνησης (a_h): 3,5 m/s²

Αβεβαιότητα (K): 1,5 m/s²

Για ευρωπαϊκές χώρες μόνο

ENH003-11

ΕΚ – Δήλωση συμμόρφωσης

Η Εταιρία Makita ως υπεύθυνος κατασκευαστής,

δηλώνει ότι το παρακάτω μηχάνημα ή μηχανήματα

της Makita:

Ονομασία Μηχανήματος: Πνευματικό Καρφωτικό

Εργαλείο Τσιμέντου

Αρ. Μοντέλου/ Τύπος: AN250HC

αποτελεί παραγωγή σε σειρά και

Συμμορφώνονται με τις ακόλουθες Ευρωπαϊκές

Οδηγίες:

98/37/EK έως την 28η Δεκεμβρίου 2009 και

επακόλουθα με την 2006/42/EK από την 29η

Δεκεμβρίου 2009

Και κατασκευάζονται σύμφωνα με τα παρακάτω πρότυπα

ή τυποποιημένα έγγραφα:

EN792

Ο εξουσιοδοτημένος μας αντιπρόσωπος στην Ευρώπη

διατηρεί τα τεχνικά έγγραφα, ο οποίος είναι:

Makita International Europe Ltd.,

Michigan, Drive, Tongwell,

Milton Keynes, MK15 8JD, England

13η Μαρτίου 2009



Tomoyasu Kato

Διευθυντής

Makita Corporation

3-11-8, Sumiyoshi-cho,

Anjo, Aichi, JAPAN

Makita Corporation
Anjo, Aichi, Japan

884922-997