

Spare Parts Catalogue

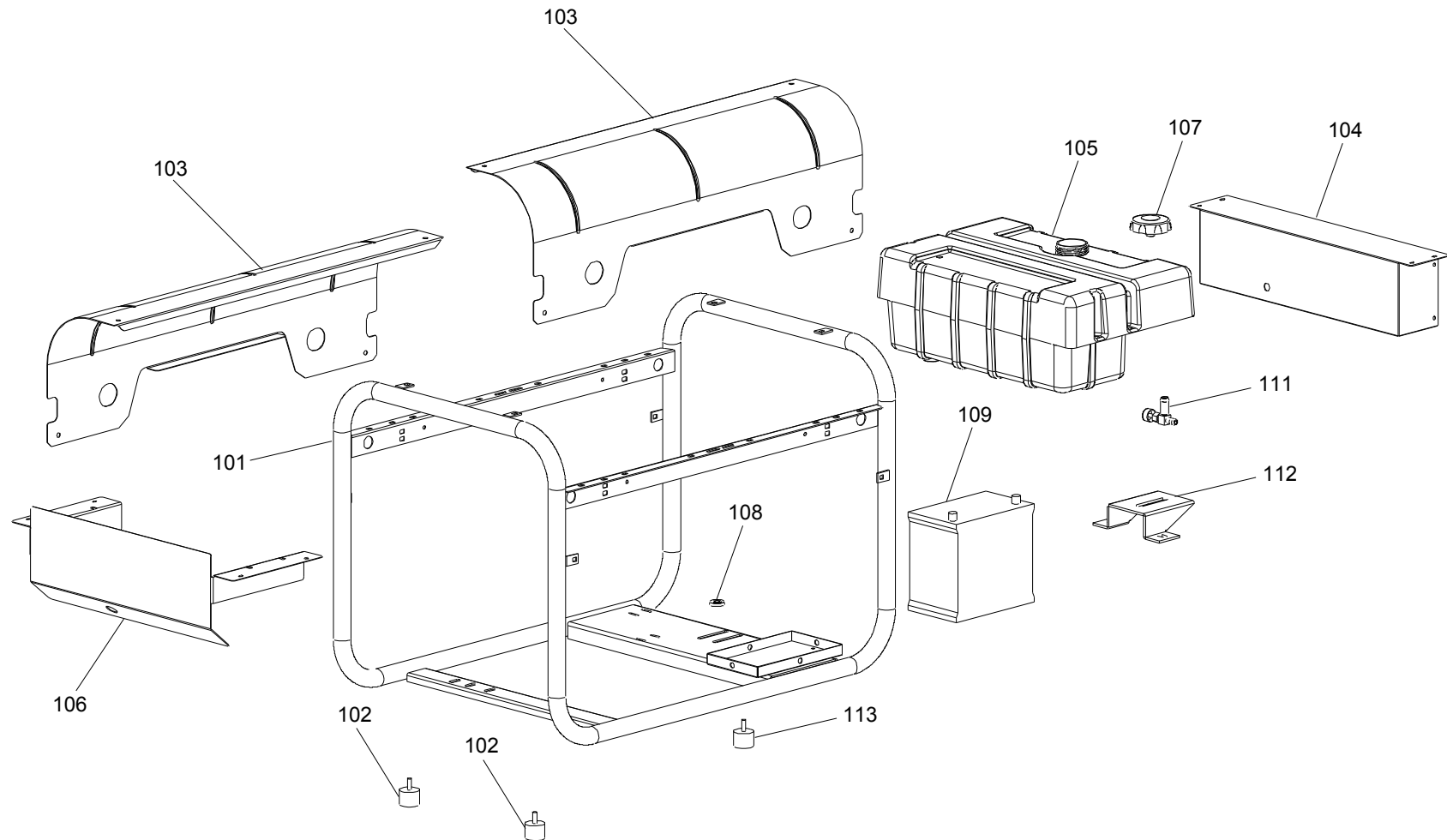
S6000-2013-THREEPHASE+CONN+DPP

Power systems | Generating sets

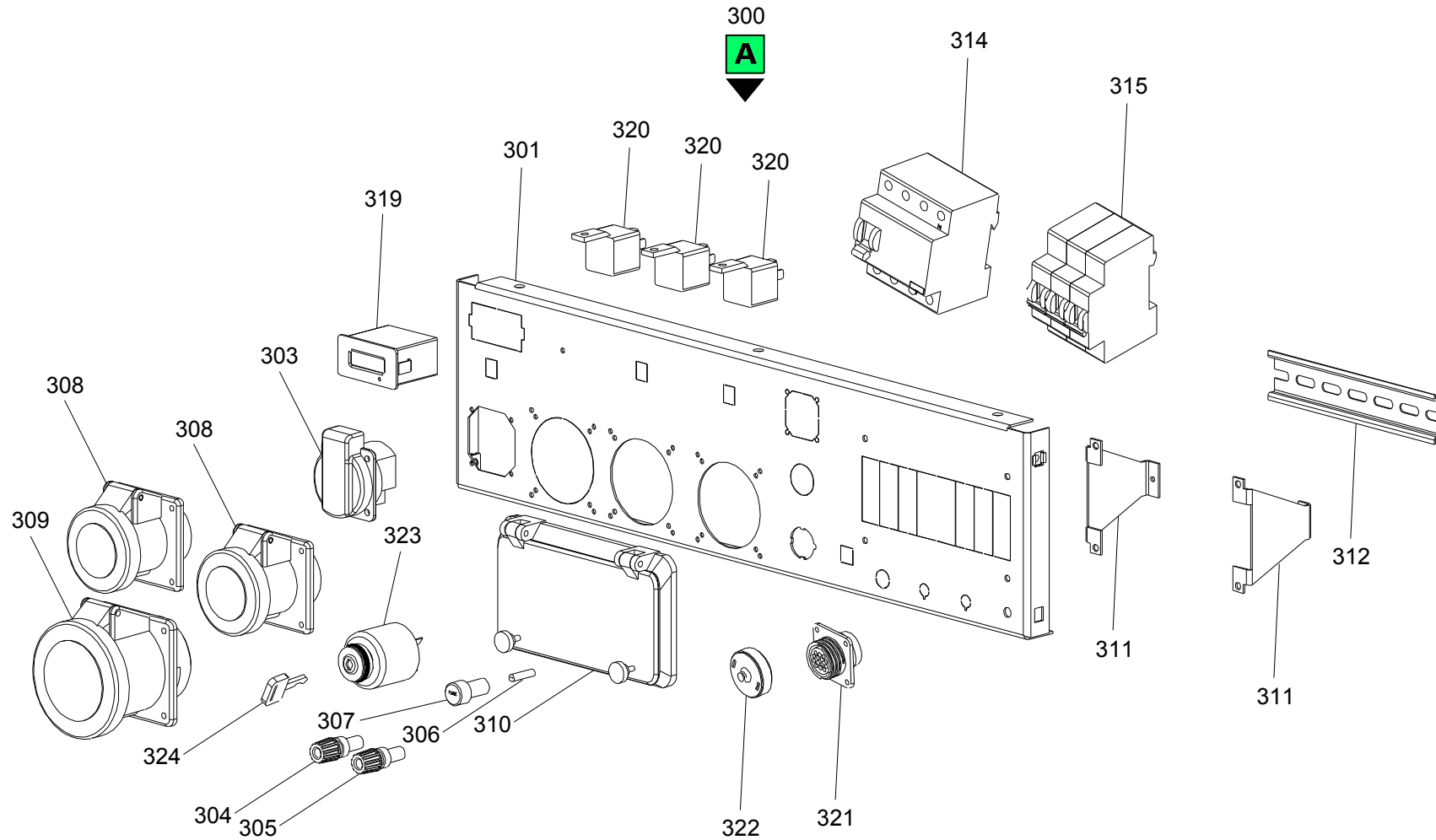
Valid for machine code: PD572TYAZ01

Revision: 0 (3/2015)

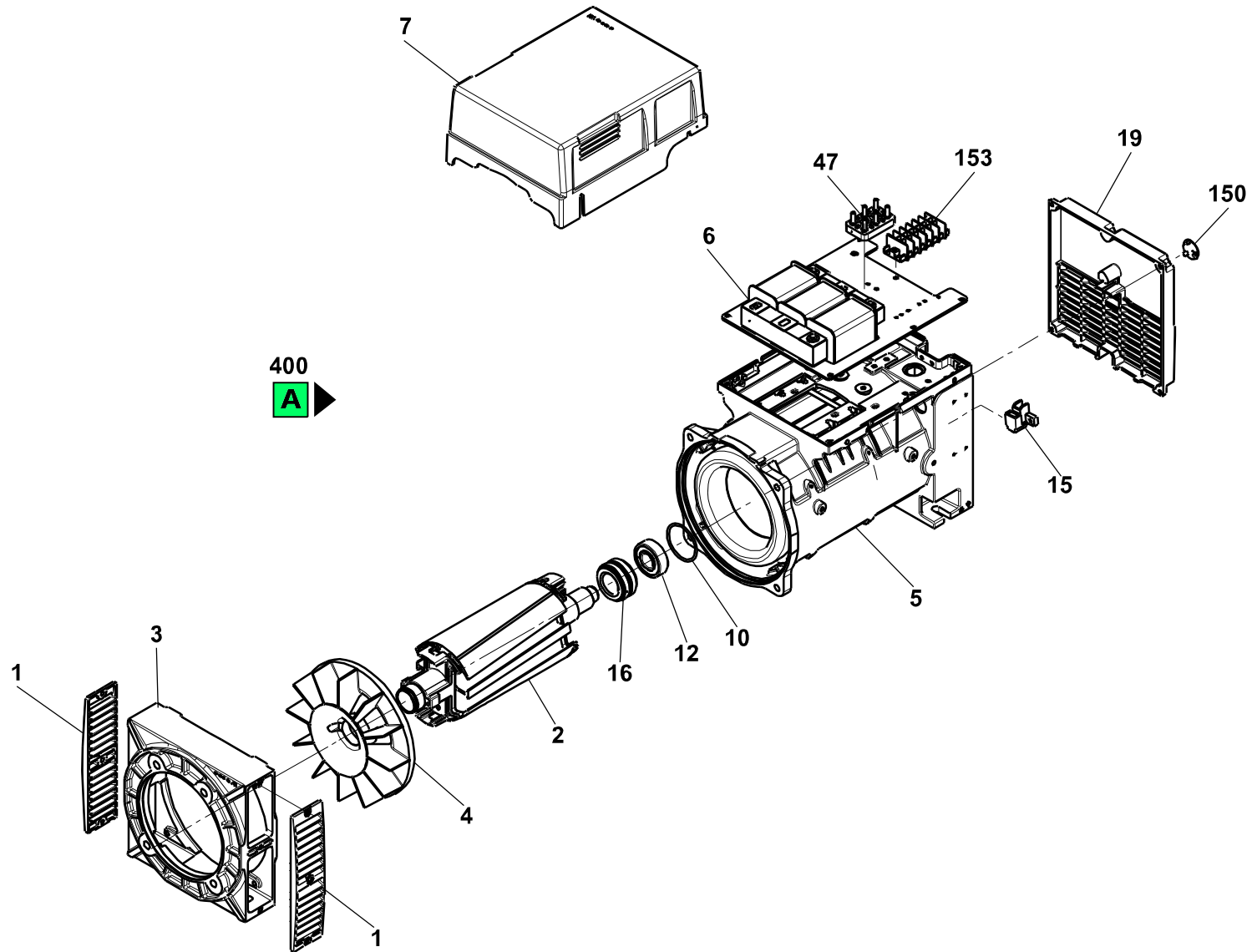
Copyright 2016 Pramac Group, All Rights Reserved.



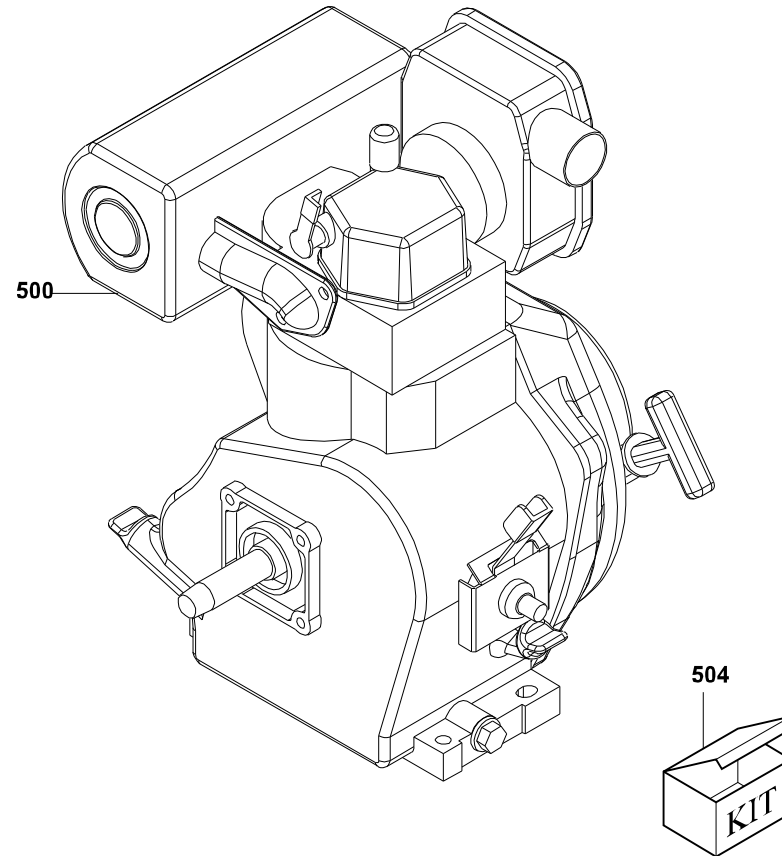
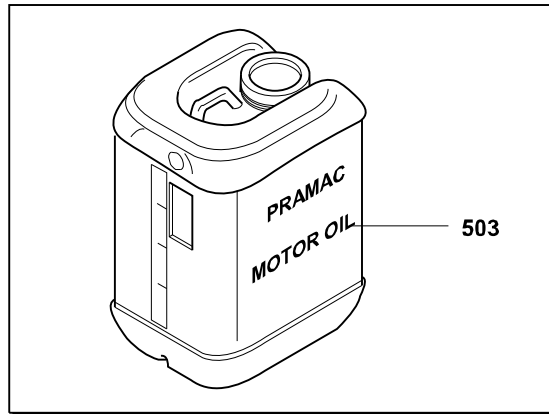
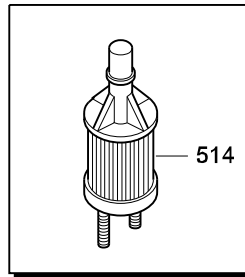
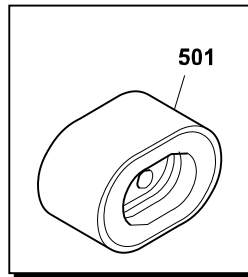
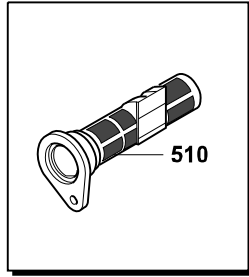
Position	Part Number	Description	Notes
101	VA50018023-9005B	Frame New S6000/6500 Painted	-
102	G052902	Silent-block Angolare Mm-m8x33-m8x12 Sh60	-
103	VA9347-PRAMACB	Lateral Hinge Series S5/8000 Painted	-
104	VM5H400009-9005B	Support Control Panel Serie S Painted Ral 9005b	-
105	SA10002904	Fuel Tank Petrol/diesel 24 Liters	-
106	▲ VA9788-9005B	Tank Protection New S6000/6500 Painted	Valid for products manufactured until 24/04/2013
	▲ VA9621-9005B	Tank Protection S9000 Restyling Painted	Valid for products manufactured from 24/04/2013 to 08/04/2014
	▲ VM2188-9005B	Bandeja Deposito S9000-x12000-s15000 Pintada Ral 9005b	Valid for products manufactured from 08/04/2014
107	G080215	Fuel Cap Without Key - Vent Holes On Top	-
108	SA40023901	Spacer 6 Mm Nylon Snap-in	-
109	G089126	Battery 45ah 12v With Acid - 216x133x223	-
111	G085100	Needle Valve Bushed - Ref.11478	-
112	▲ VA7527-9005B	Alternator Support K 6/4 '94	Valid for products manufactured until 28/03/2013
	▲ VA8425-9005O	Staffa Porta Alternatore E 6000 Tyhdi	Valid for products manufactured from 28/03/2013
113	G052183	Silent-block Cil. Mf-40x30-m8x23-m8-45	-



Position	Part Number	Description	Notes
300	SA50018925	El. Panel New S6000 + Conn + Dpp	-
301	GA9790	Sheetmetal Panel New S Diesel Series	-
303	G071131	Socket Subassembly, Power Supply	-
304	G070109	Battery Charger Red Screw Terminal	-
305	G070110	Battery Charger Black Screw Terminal	-
306	G070616	Fuse 10a 5x20 Glass	-
307	G070617	Panel Mount Fuse Holder 6a (5x20)	-
308	G071121	Panel Mount Socket 2p+t 230v 16a Ip44 Cee	-
309	G071126	Panel Mount Socket 3p+n+t 400v 16a Ip44 Cee	-
310	G070312	Ip55 Cover 8 Modules Din	-
311	G070817	Sec. C Flask For Pr Bar	-
312	G070822	Omega Support 7,5x35	-
314	G075512	Differential Switch 4p 25a 0.03a	-
315	G075540	Magnetothermic Switch 3p 10+10+16a	-
319	G077014	Digital Multimeter Three Phase For Panel	-
320	G079583	Rele' 12v 1 30/20a 12.040.000	-
321	G071021	Female Connector 14contacts Com. Dist.	-
322	G071091	Sealing Cap With Bead Chain - 14 Poles Connector	-
323	G075310	Starter Key Switch	-
324	G76926	Key Block Body For Starter Switch	-



Position	Part Number	Description	Notes
1	PAN1GGA10010	Rete Di Protezione	-
3	PAN3SLA10012	Scudo Anteriore J609	-
4	PAN1VGA10003	Fan	-
6	PAN5CA12033	Compound Completo Ait	-
7	PAN00018	Cover T100	-
8	PANKPDT25A12B	-	-
11	PAN7TZUN08318	Tirante Zinc. Bianco M8-5/16 24unf × 318 Per J609b C. 35	-
15	G70181	Brushes Set Eg3-a L=300	-
16	PAN00037	Slip Ring	-
19	PAN1GGA10011	Blind Cover Alt. T100	-
35	PANKPD25A02	Ponte Raddrizzatore Monofase 15°-200v	-
47	PAN7MTP060502	Morsettiera Utilizzazione	-
48	PANKVZ12A420	Varistor	-
400	ANT6000AB000XZ	Alternator T100sb 6/230/400/50/3000 J609b - Blind Cover + Ip 23 + Battery Charge - Nsm	-



Position	Part Number	Description	Notes
500	EYP100CBY0R	Engine Yanmar L100 Air_3000_mech_j609b-_12vdc__ver/sp:l100n5e1c1hapr	-
501	PEY00015	Air Filter	-
503	P3KI00299	Kit Pramac Power	-
504	P3KI00109	Maintenance Kit S4500 E4500-e6500-e6000-s6500-s6000-w180-wp180	-
510	PEY00005	Oil Filter	-
514	PEY00006	Gasoil Filter L100	-