

# ESAB FE300

Cylinder regulator for industrial gases

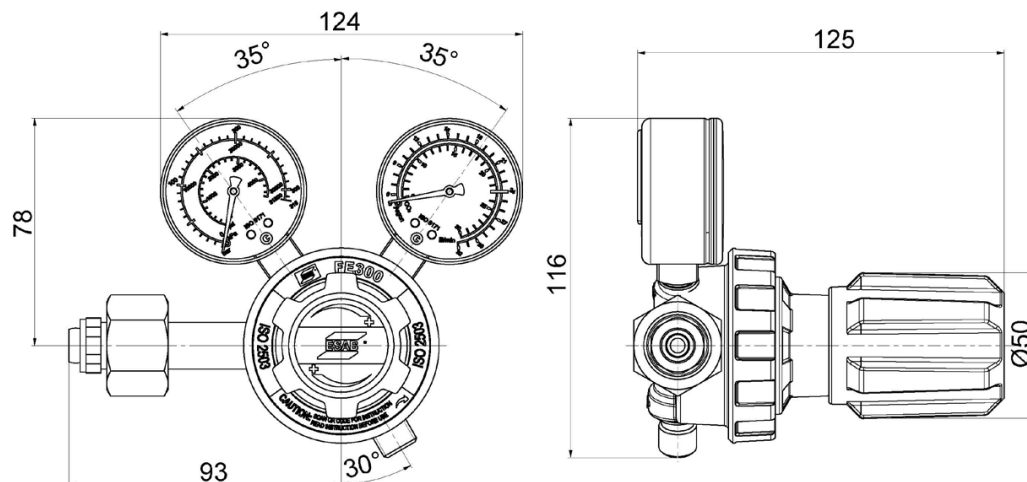


- High-performance regulator following all common technical gas applications needs.
- Safety focused design following ISO 2503.
- Durable construction saving costs of spares and replacements.
- Encapsulated regulating technology for precise parameters and stability.
- Easy handling for the operator by ergonomic arrangement.
- Side entry design variants fit on all types of cylinder valves.
- Three scale pressure gauges according to ISO 5171 with high contrast pointer for better gas pressure clarity.
- Gas colour coded handwheel for simple identification.
- Made in European Union.

## Industry or process

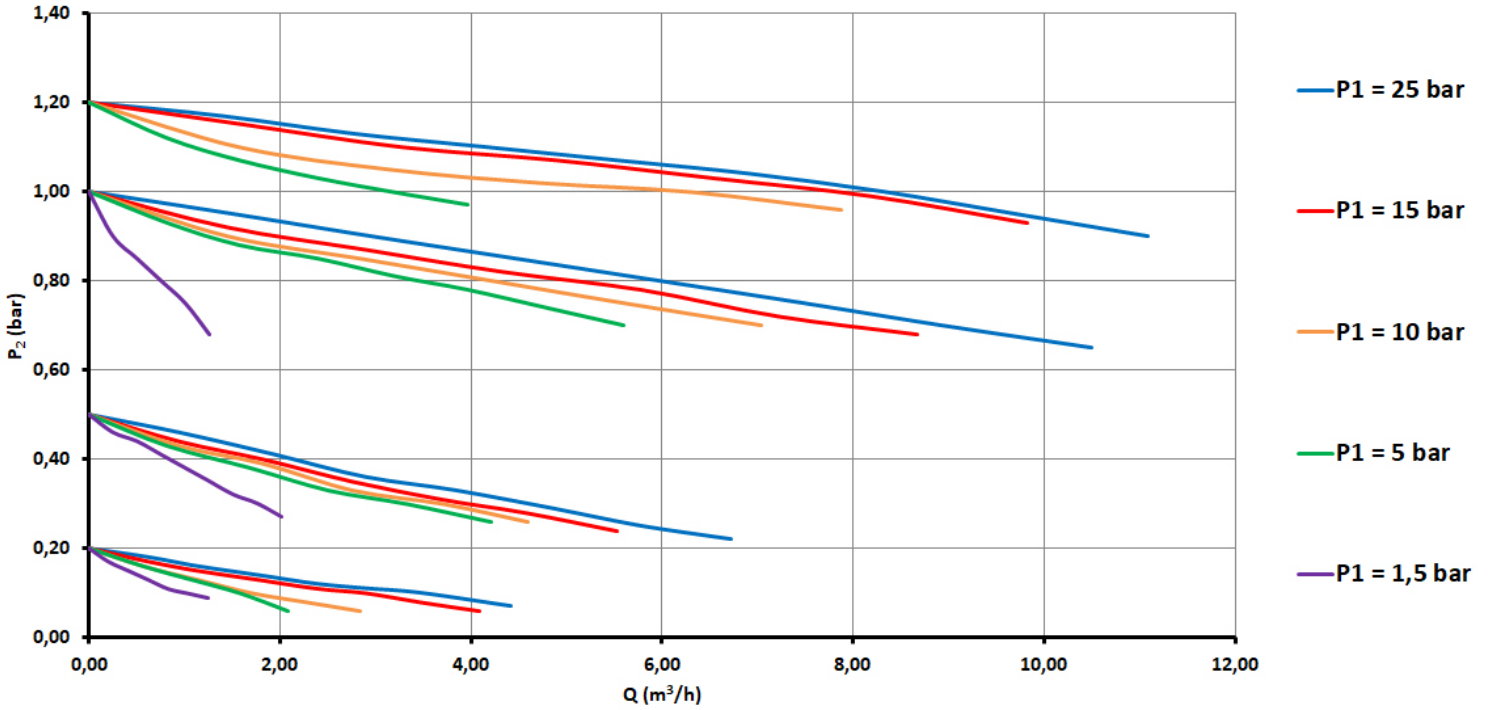
- Oxy-fuel Cutting
- Oxy-fuel Welding
- Arcwelding

## Dimensions

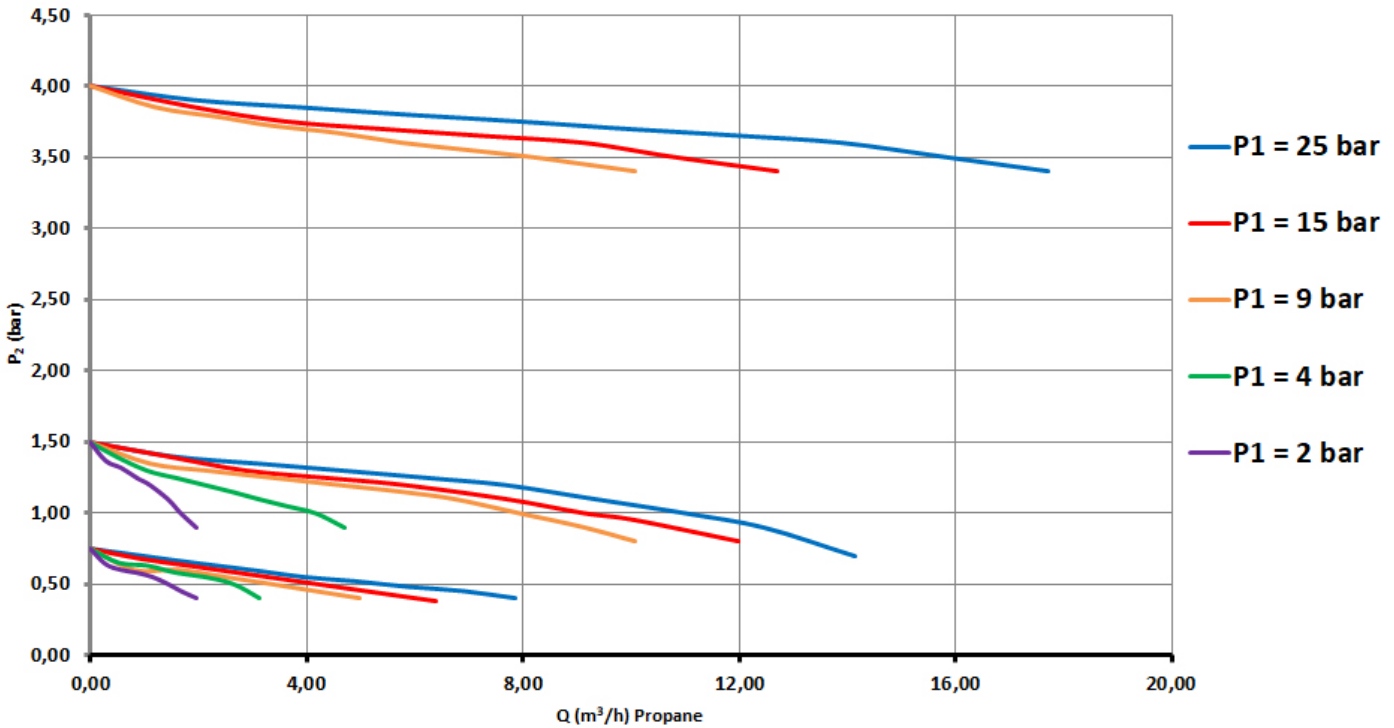


# ESAB FE300

Acetylene 25/1,2 bar

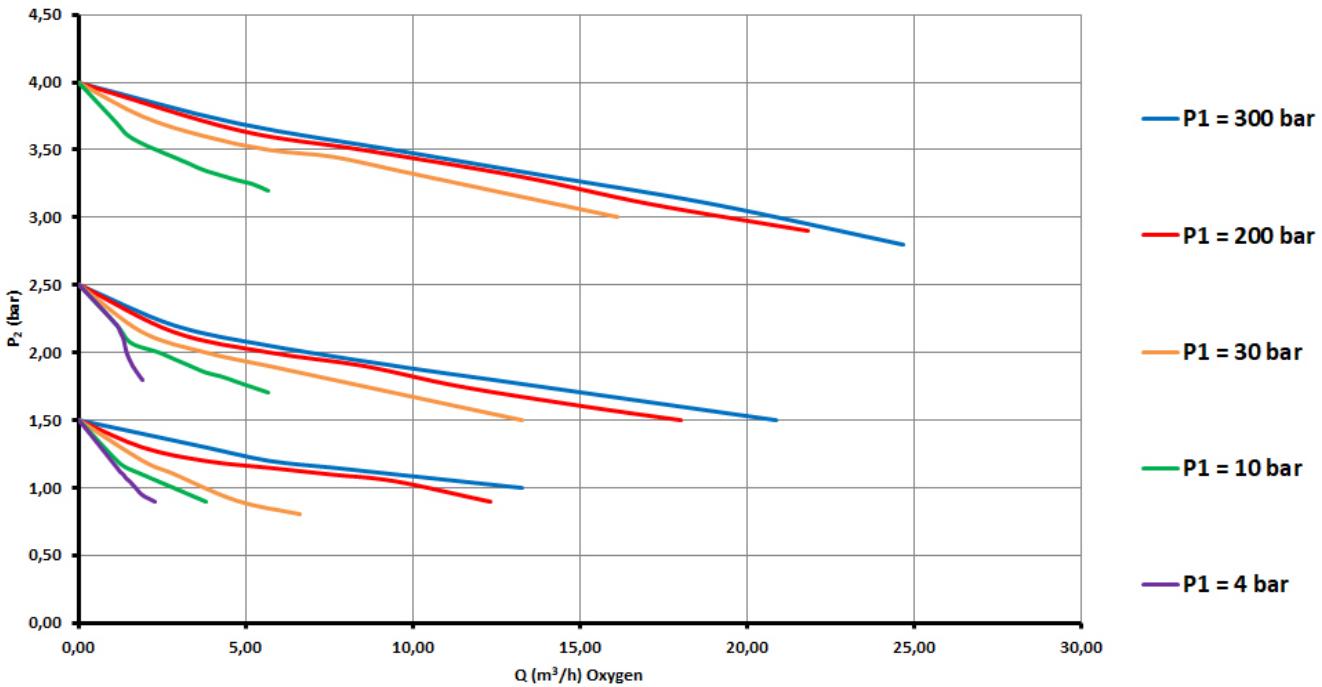


Propane 25/4 bar

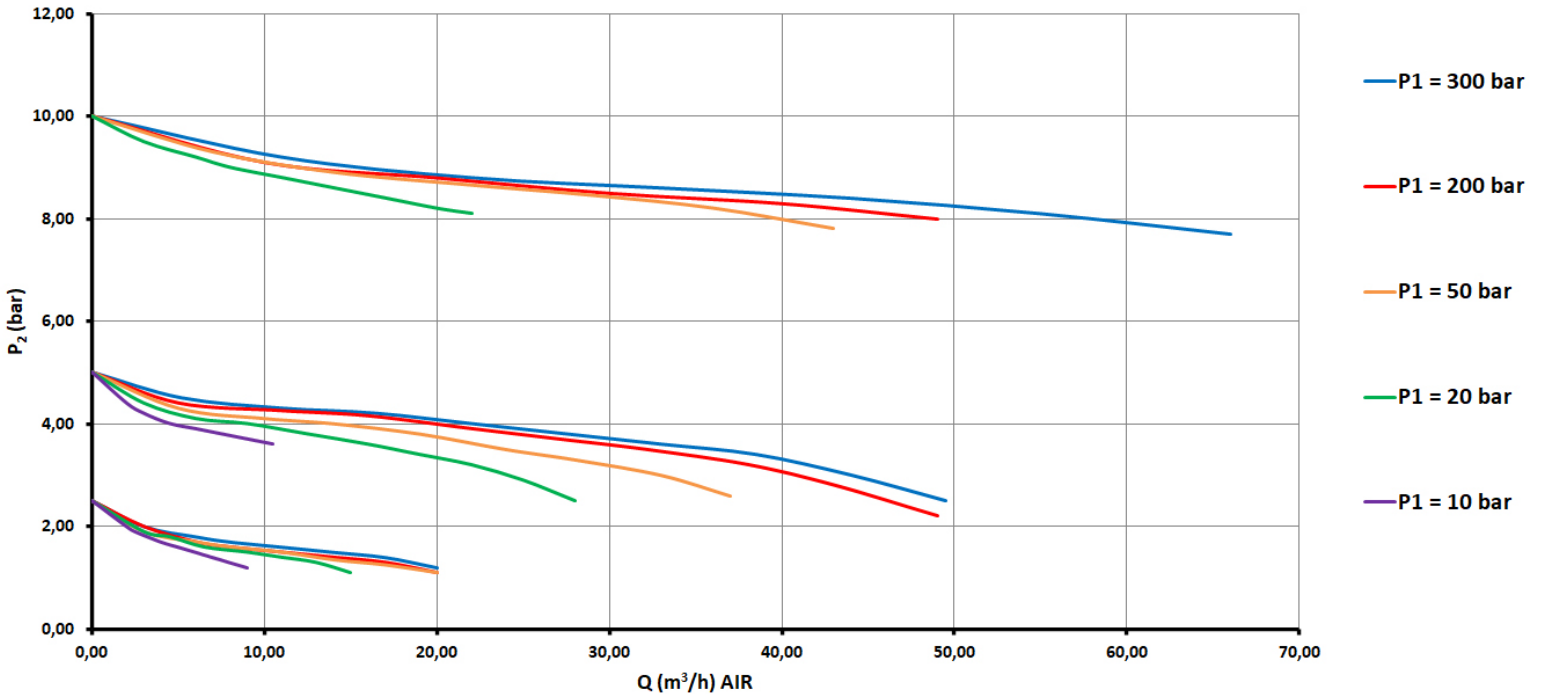


# ESAB FE300

Oxygen 300/4 bar



Air 300/10 bar



Conversion coefficient (f)							
Test gas	Air	Oxygen	Nitrogen	Argon	Hydrogen	Helium	CO <sub>2</sub>
Air	1	0,950	1,02	0,851	3,81	2,695	0,808

Flow of the gas (A)

$$A = Q \cdot f$$

Q... Air Flow

f... Conversion coefficient

# ESAB FE300

Technical Data					
Gas	O <sub>2</sub> , N <sub>2</sub> , H <sub>2</sub> , He	Ar, Ar/CO <sub>2</sub>	CO <sub>2</sub>	Acetylene	Propane
Body	Brass forged				
Bonnet	Zn/Al alloy Die Cast				
Stems, nuts and fittings	Brass				
Diaphragm	EPDM				
Seat Sealing	PA			CR	
Inlet/ Outlet connection	Gas specific connection				
Maximal inlet pressure	200 or 300 bar		200 bar	25 bar	
Outlet pressure/ flow range	0-10 bar	0-16 l/min 0-24 l/min 0-30 l/min	1,5 bar		4 bar
Operating Temperature	-20°C to + 60°C				
Weight Approx.	Approx. according to gas variant 1,1 kg				

Ordering Information							
Part Number	Gas	Inlet position	Inlet Pressure	Outlet Pressure	Inlet Connection	Outlet Connection	Type
FS0700017621	OXYGEN	side	200 bar	10 bar	W 21,8 x 1/14"	G 3/8"	
FS0700017620	ACETYLENE	side	25 bar	1,5 bar	G 3/4"	G 3/8" LH	
FS0700017626	CO <sub>2</sub>	side	200 bar	0 - 24 l/min	W 21,8 x 1/14"	G 3/8"	2 gauges
FS0700017629	Ar/CO <sub>2</sub>	side	200 bar	0 - 24 l/min	W 24,32 x 1/14"	G 3/8"	2 gauges
FS21650017	Ar/CO <sub>2</sub>	side	200 bar	4,5 bar PRESET	W 24,32 x 1/14"	G 3/8"	including flowmeter
FS21650018	INERT	side	200 bar	10 bar	W 24,32 x 1/14"	G 3/8"	
FS0700017623	PROPANE	side	25 bar	4 bar	POL 0,885" x 1/14" LH (NGO0.885M CGA510)	G 3/8" LH	LP gauge only

SPARE PARTS FLOWMETERS					
Part Number	Gas	Flow	Working Pressure	Inlet Connection	Outlet Connection
FS0701300021	Ar/CO <sub>2</sub>	16 l/min	4,5 bar	G3/8"	G3/8"
FS0701300022	Ar/CO <sub>2</sub>	30 l/min	4,5 bar	G3/8"	G3/8"



<https://pages.services/connect.gcegroupp.com/gas-equipment-nordics>

